



**MOUNTS
SCREENS
TO ROUND
COLUMNS**

BT7832

COLUMN/PILLAR CLAMP

The BT7832 is designed to work with a collar compatible B-Tech flat screen mount to display digital signage on a round column or pillar. The straps wrap around the column so no drilling is required and are adjustable making them suitable for different sized columns. Ideal for any indoor environment where columns are used instead of walls, such as airports, conference halls, gangways, offices and sports auditoriums.

SPECIFICATION

Max load	50kg
Adjustable width	140mm - 750mm

FEATURES

- Allows displays to be mounted around a column or pillar, without the need to drill into it
- Use with a collar compatible flat screen mount
- Straps can be moved up and down to accommodate different height wall mounts
- Strap holds firmly onto the column without slipping
- Suitable for landscape or portrait mounting
- Ideal for use in airports/offices/sporting auditoriums
- Secure locking mechanism prevents the strap becoming loose over time



Allows displays to be mounted around a column or pillar, without the need to drill into it



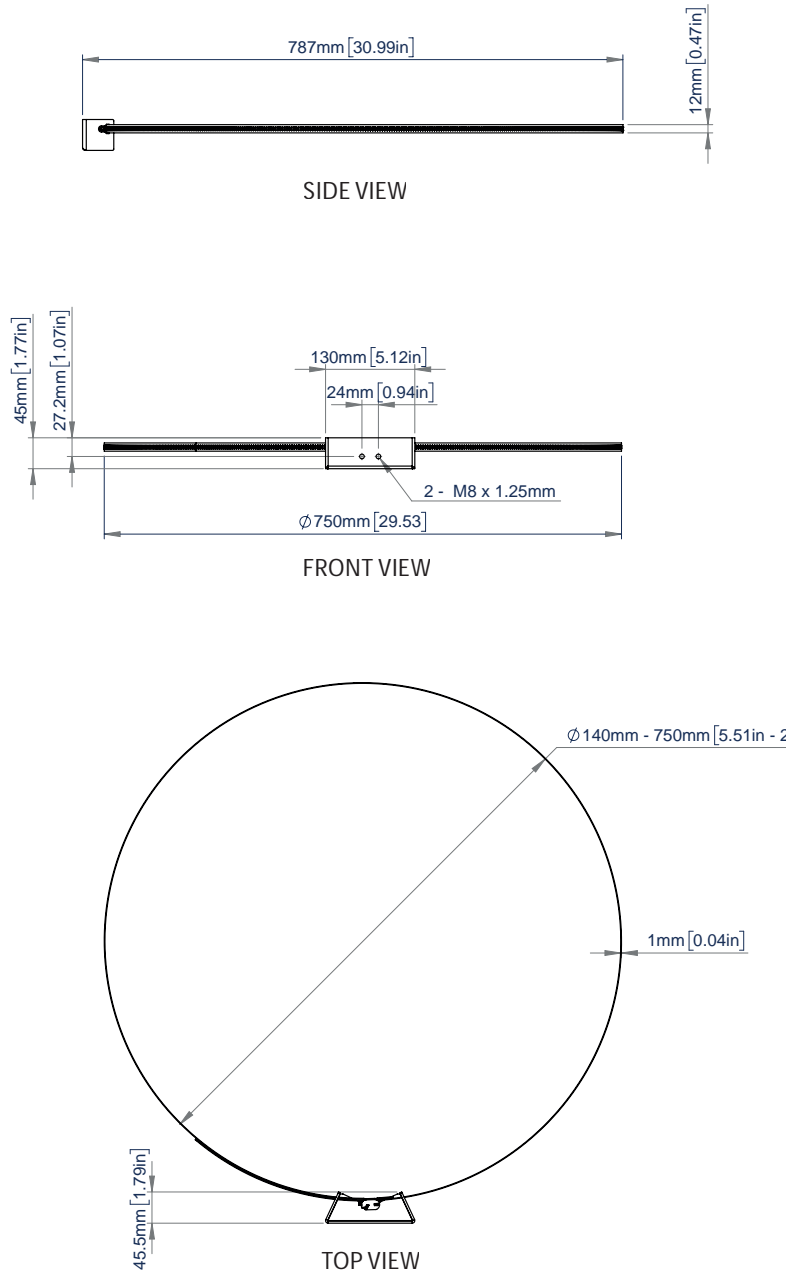
Use with a collar compatible flat screen mounts such as BT8441 or BT8432



Suitable for landscape and portrait mounting




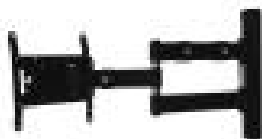
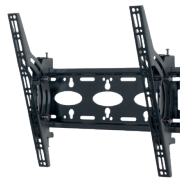

Secure locking mechanism prevents the strap becoming loose over time



PACKING INFORMATION

COLOUR:	ORDER REF:	EAN CODE:	MASTER CARTON QTY:	MASTER CARTON WEIGHT:	MASTER CARTON CUBE:
Black	BT7832	5019318090608	1	1kg	0.006cbm

ACCESSORIES AND RELATED PRODUCTS

<p>BT8441</p>  <p>Universal Flat Screen Wall Mount for screens up to 55"</p>	<p>BT7515</p>  <p>Double Arm Flat Screen Wall Mount with Tilt and Swivel for screens up to 47"</p>	<p>BT8431</p>  <p>Universal Flat Screen Wall Mount with Tilt for screens up to 55"</p>	<p>BT7532</p>  <p>Ultra-Slim Flat Screen Wall Mount for screens up to 47"</p>
---	---	--	--

© 2023 B-Tech International Design & Manufacturing Ltd. All rights reserved. B-Tech logo and name are registered trademarks of B-Tech International Design & Manufacturing Ltd. All other marks and products are trademarks of their respective owners. All rights reserved. No part of this publication may be reproduced, stored in a retrieval system, or transmitted in any form or by any means, electronic, mechanical, photocopying, recording, or by any information storage or retrieval system, without the prior written permission of B-Tech International Design & Manufacturing Ltd. E&OE.

SS-V1-BT7832-150822