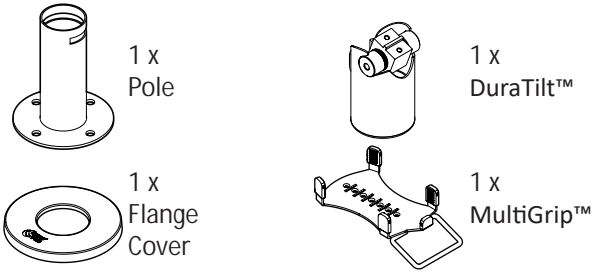


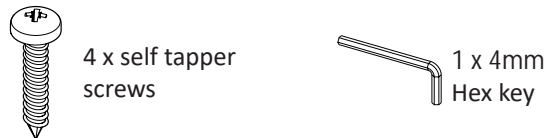
# Pole / DuraTilt™ / MultiGrip™ Solutions

## Installation Guide

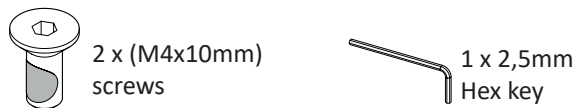
### Parts List



### Fixing bag for pole

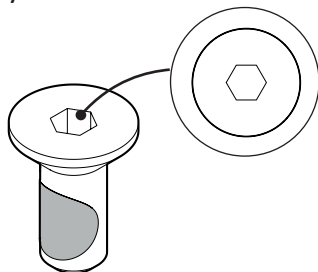


### Fixing bag for MultiGrip™



### Assembly note

For DuraTilt™, use M4x10mm TufLok screws, hexagonal recess.  
Recommended torque:  
1,8 -- 2,6 Nm

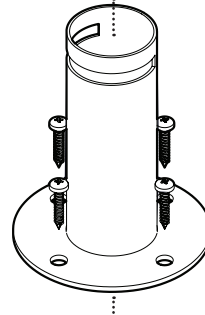
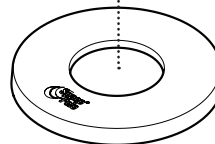
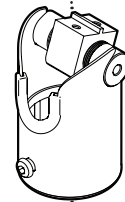
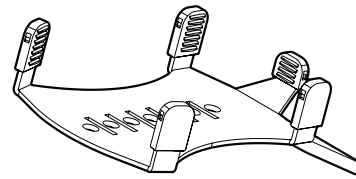


### Standard Solutions

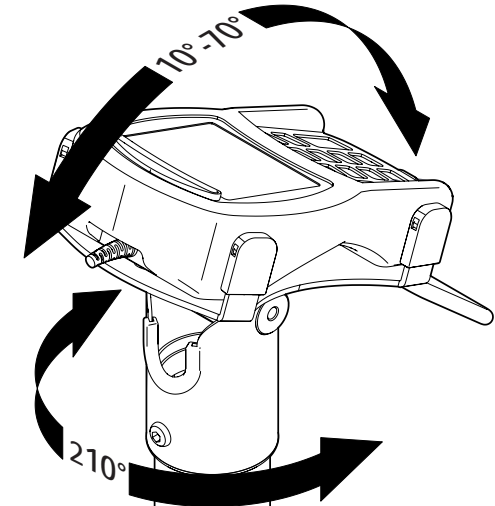
Pole + DuraTilt™ + MultiGrip™

DuraTilt™ + MultiGrip™

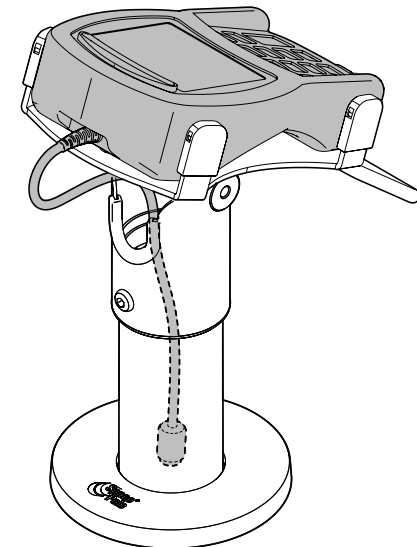
MultiGrip™



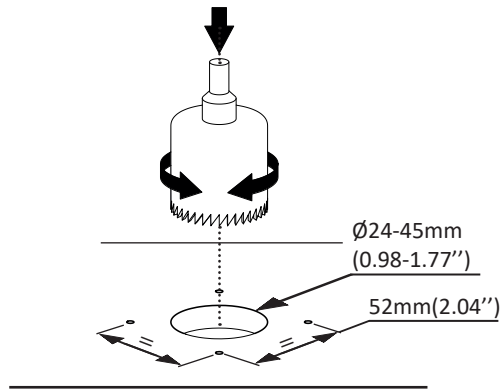
### Movement range



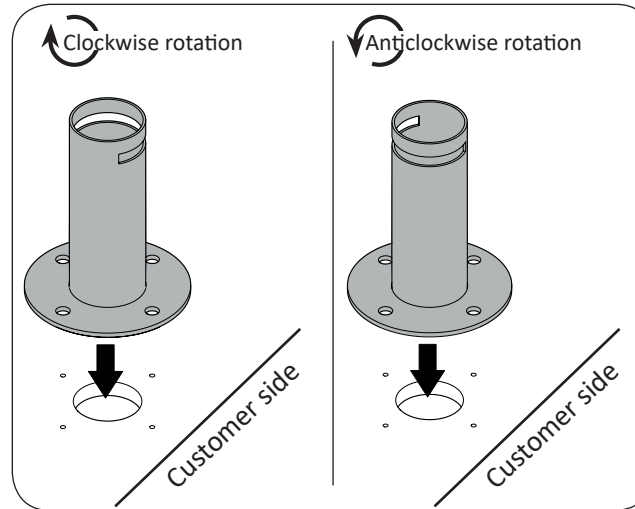
### Cable management



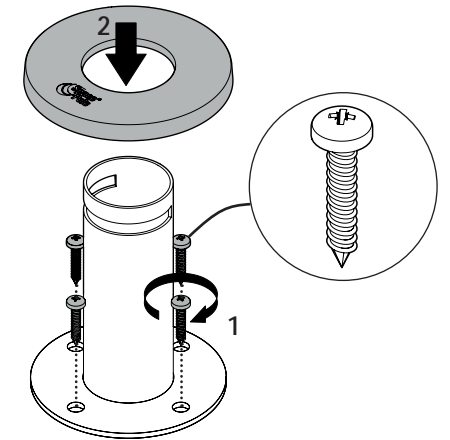
# 1 Drilling the mounting holes



# 2 Pole orientation



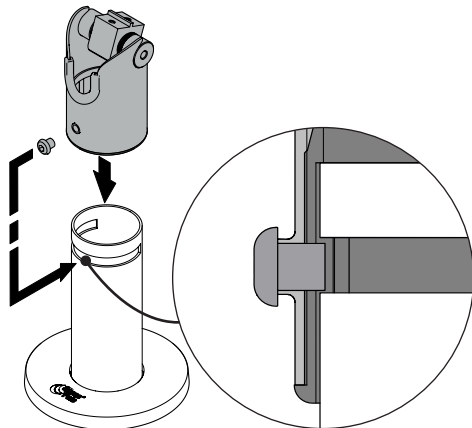
# 3 Screws and flange cover



# 4 Mounting DuraTilt™

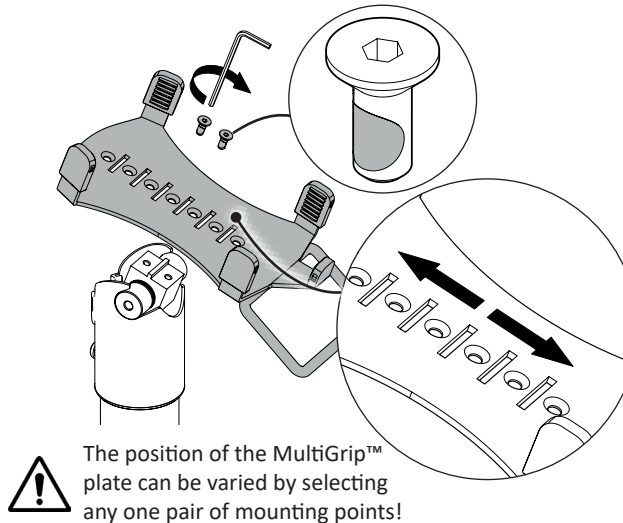


Slide the DuraTilt™ module down the pole until fully located. Fully tighten the M6/6 screw using the 4mm hex key, until rotation is limited to 210°



# 5 Mounting MultiGrip™

Use the M4/10mm screws and the 2,5mm hex key to attach the MultiGrip™ plate to the DuraTilt™ module.



# 6 Mounting the payment terminal

