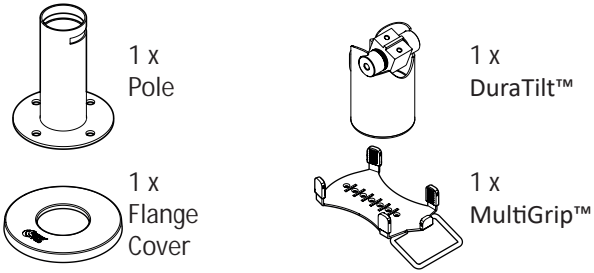


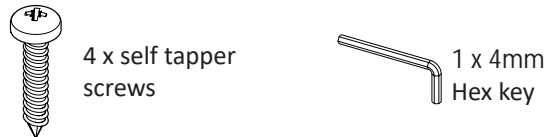
Pole / DuraTilt™ / MultiGrip™ Solutions

Installation Guide

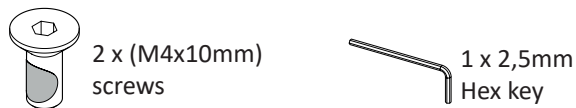
Parts List



Fixing bag for pole

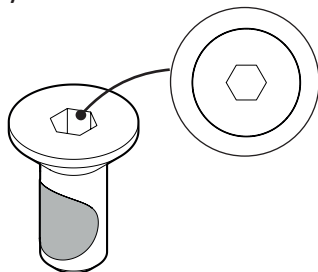


Fixing bag for MultiGrip™



Assembly note

For DuraTilt™, use M4x10mm TufLok screws, hexagonal recess.
Recommended torque:
1,8 -- 2,6 Nm

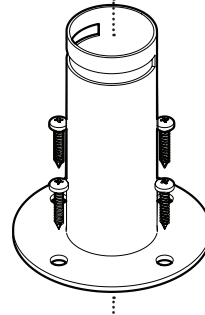
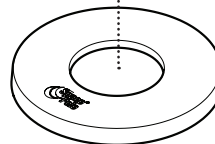
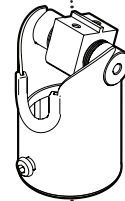
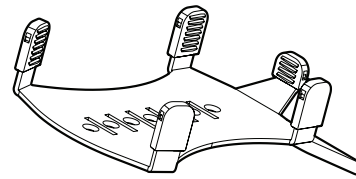


Standard Solutions

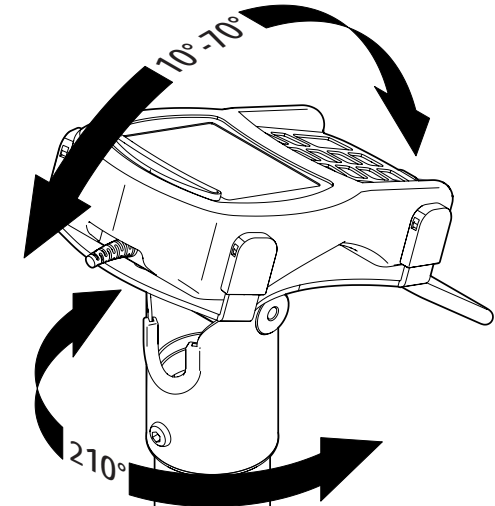
Pole + DuraTilt™ + MultiGrip™

DuraTilt™ + MultiGrip™

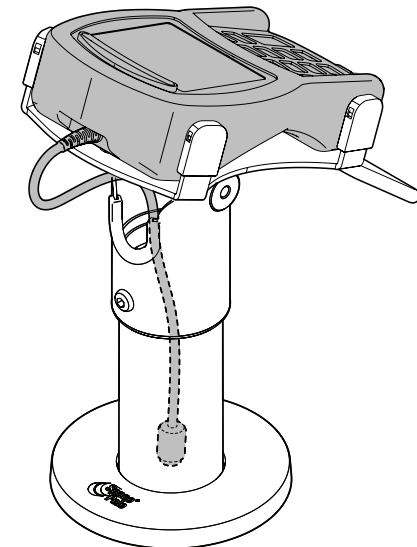
MultiGrip™



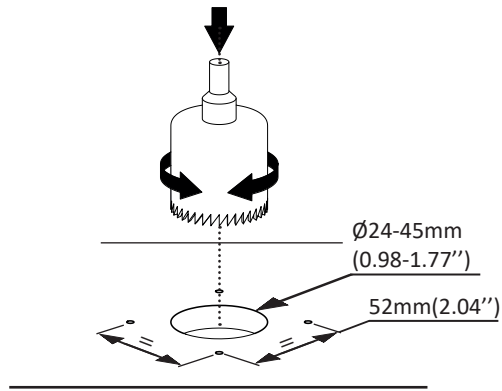
Movement range



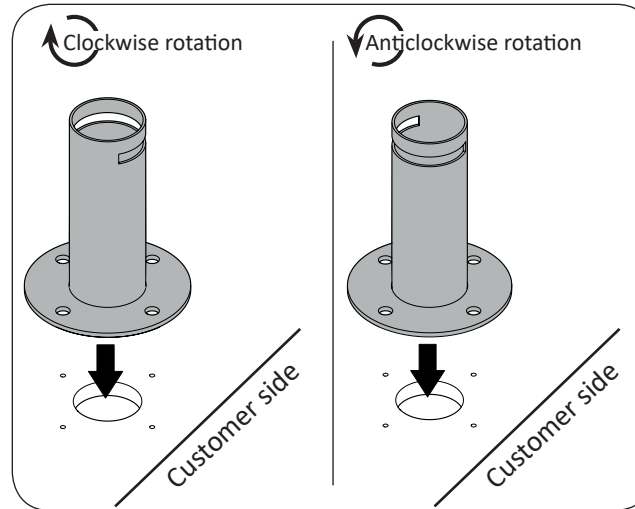
Cable management



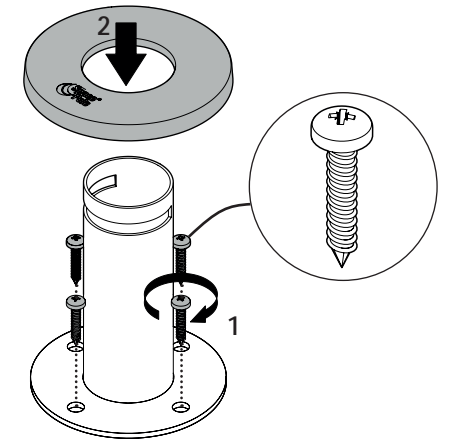
1 Drilling the mounting holes



2 Pole orientation



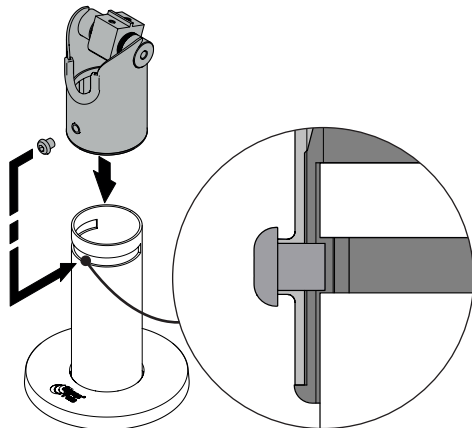
3 Screws and flange cover



4 Mounting DuraTilt™

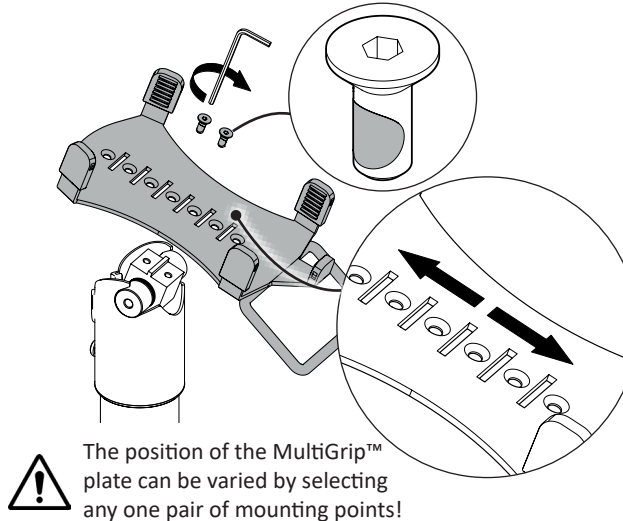


Slide the DuraTilt™ module down the pole until fully located. Fully tighten the M6/6 screw using the 4mm hex key, until rotation is limited to 210°



5 Mounting MultiGrip™

Use the M4/10mm screws and the 2,5mm hex key to attach the MultiGrip™ plate to the DuraTilt™ module.



6 Mounting the payment terminal

