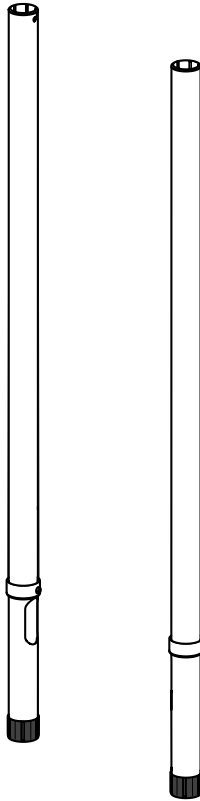


Installation Guide

SPDS4312

Cable management poles (2 x SP2 Poles, 1175mm)





CAUTION

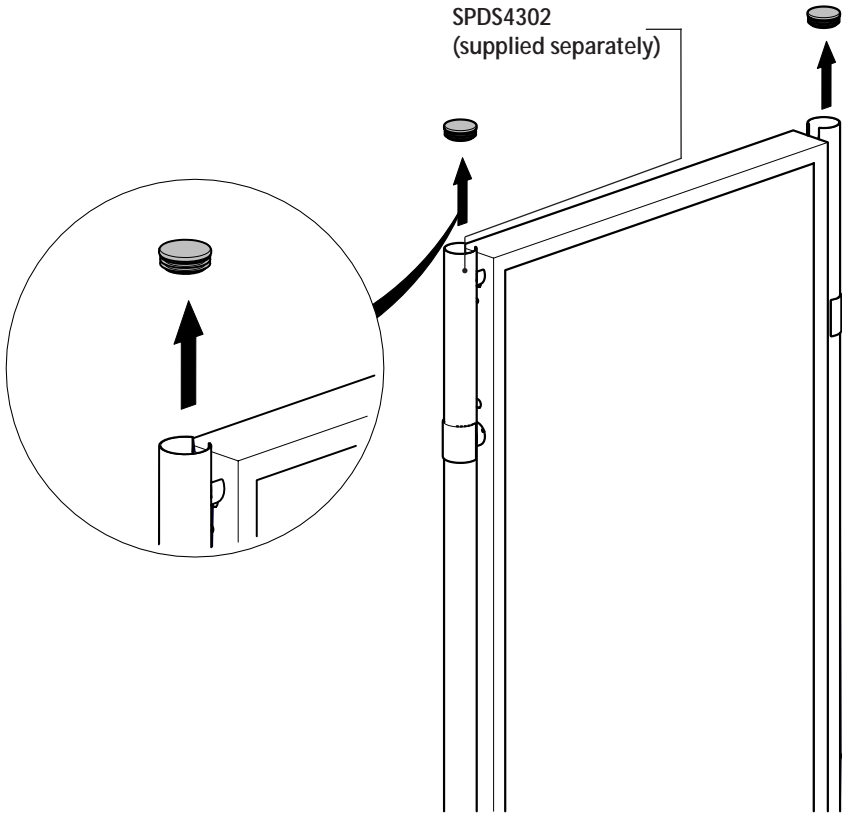
- Please ensure that you read and understand the content of the installation guide, before you begin the installation process.
- This product must be installed by a professional installer.
- This product is intended for indoor use only.
- This solution is designed for certified hardware and accessories. Always follow the installation guide from the hardware manufacturer for correct installation.
- Do not power the hardware until the entire solution is fully assembled.
- If these installation instructions are not followed precisely, it could lead to product failure and potential personal injury.
- Ergonomic Solutions cannot be held responsible for any product failure or personal injury, if the installation instructions are not followed correctly.
- Ergonomic Solutions cannot be held responsible for any product failure or personal injury, if any modifications have been made to the product by the customer.

Box content

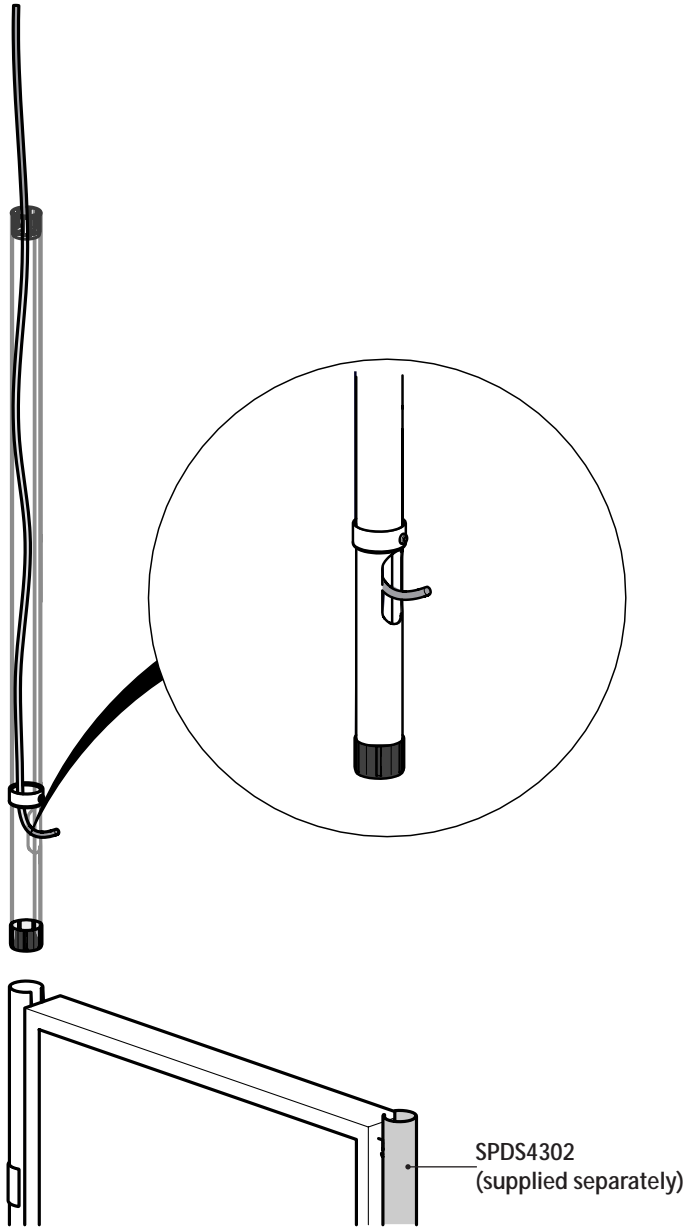


2x A

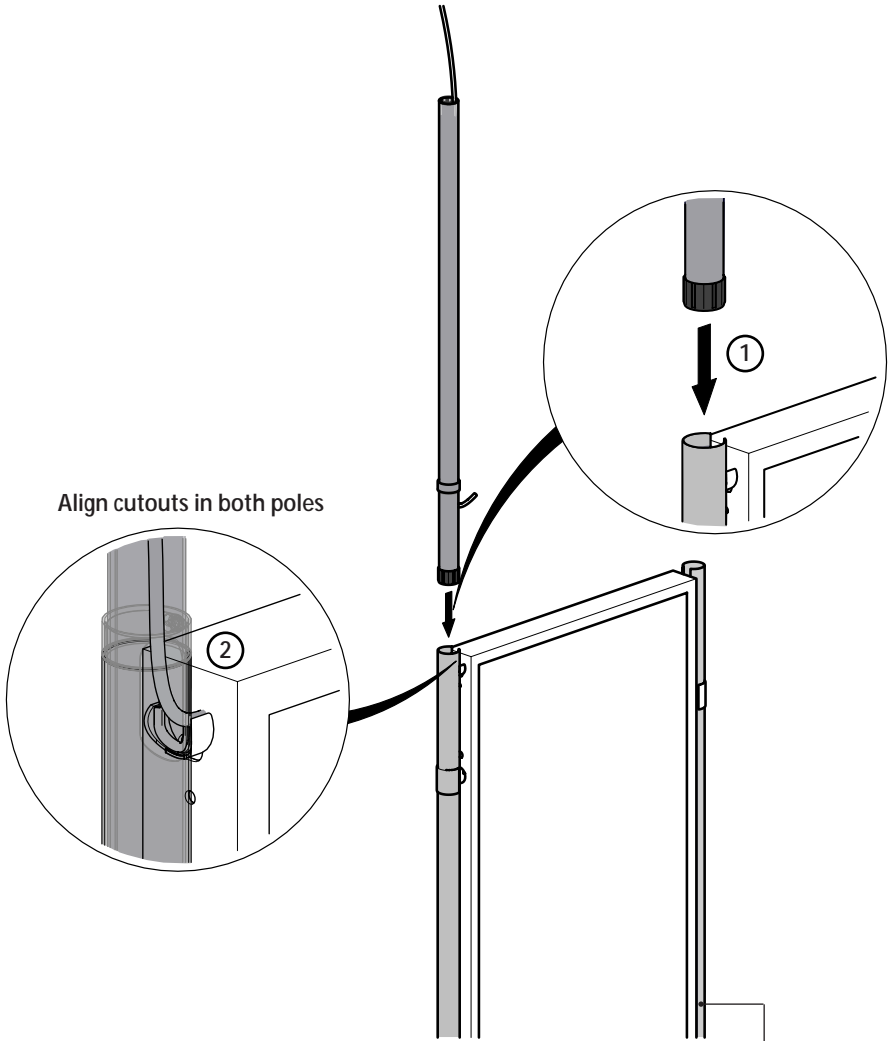
1 Remove End caps



2 Route cable



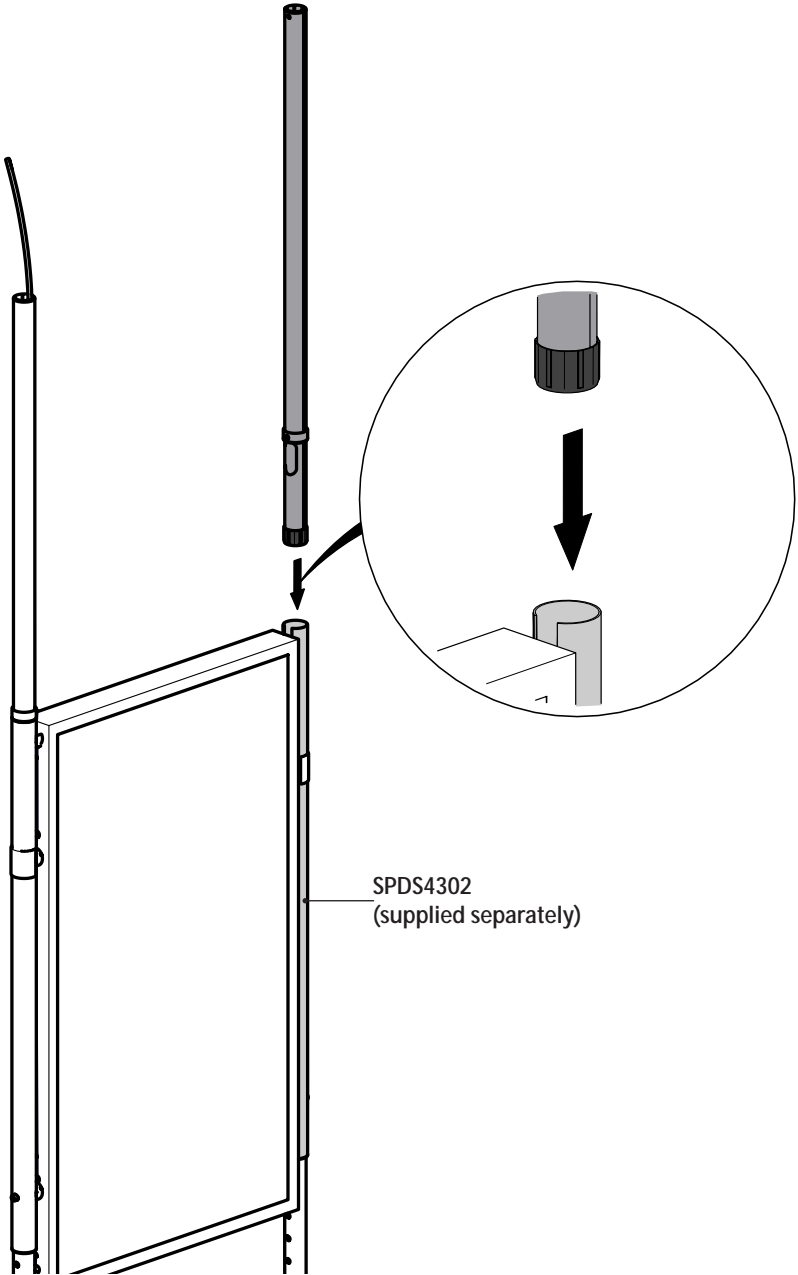
3 Place pole (A) into outer pole



Align cutouts in both poles

SPDS4302
(supplied separately)

4 Place second pole into outer pole



Need help? Contact us



ergonomic.solutions/about/contact-us



spacepole.com/about/contact-us