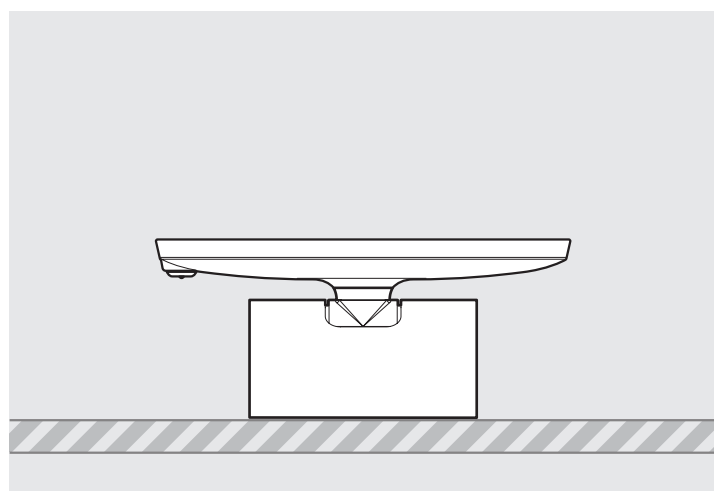


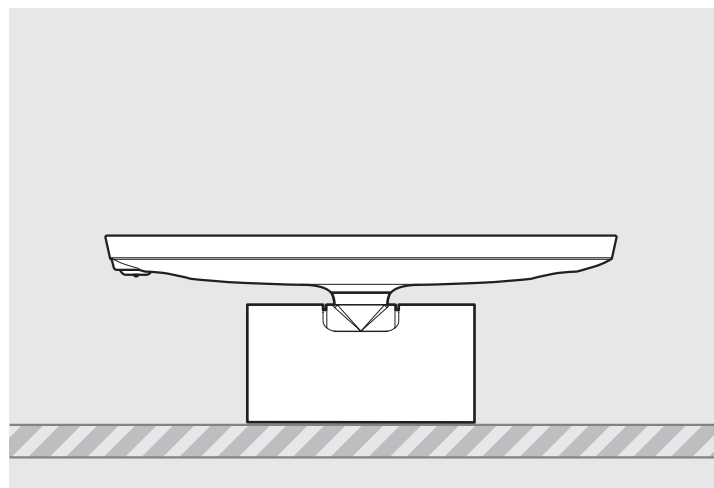
Mini Case supported devices:

- iPad Mini 1
- iPad Mini 2
- iPad Mini 3
- iPad Mini 4
- iPad Mini (2019)



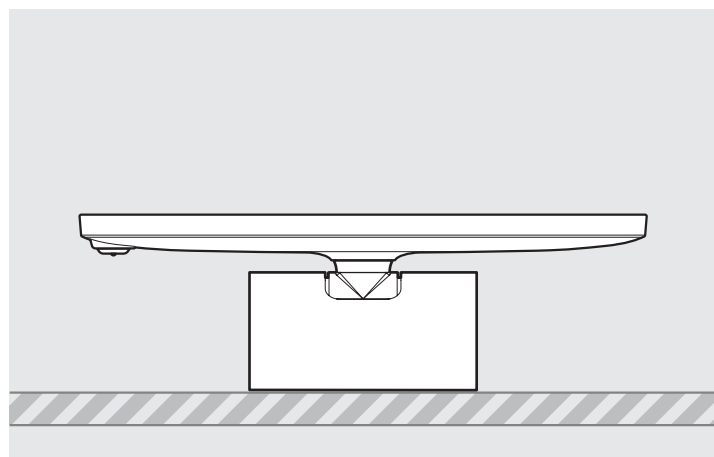
Midi Case supported devices:

- iPad 6th Gen
- iPad 5th Gen
- iPad 4th Gen
- iPad 3rd Gen
- iPad Pro 9.7
- iPad Air 1
- iPad Air 2
- Samsung Tab S2 9.7
- Samsung Tab S3 9.7
- Samsung Tab A 9.7



Maxi Case supported devices:

- iPad Pro 10.5
- iPad Pro 11.0
- iPad Air (2019)
- Samsung Tab A6 10.1
- Samsung Tab A 10.1
- Samsung Tab A 10.5
- Samsung Tab 4 10.1
- Microsoft Surface Go



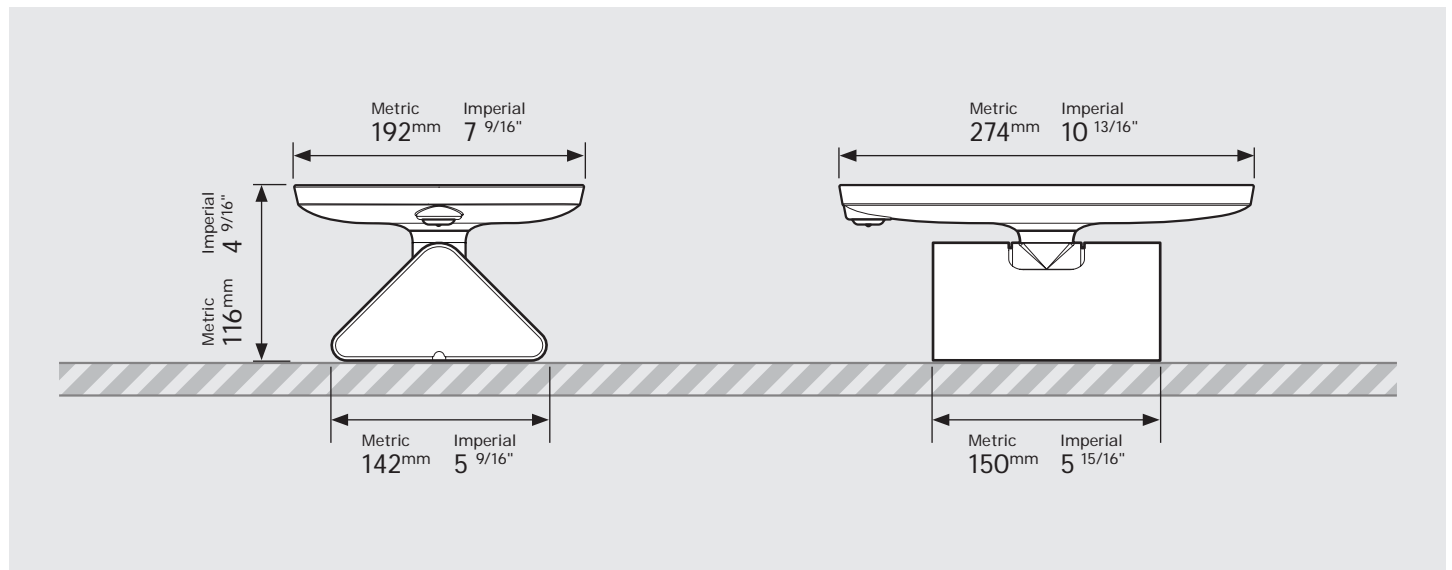
Mega Case supported devices:

- iPad Pro 12.9" 1st Gen
- iPad Pro 12.9" 2nd Gen
- iPad Pro 12.9" 3rd Gen
- Microsoft Surface Pro 4
- Microsoft Surface Pro 5

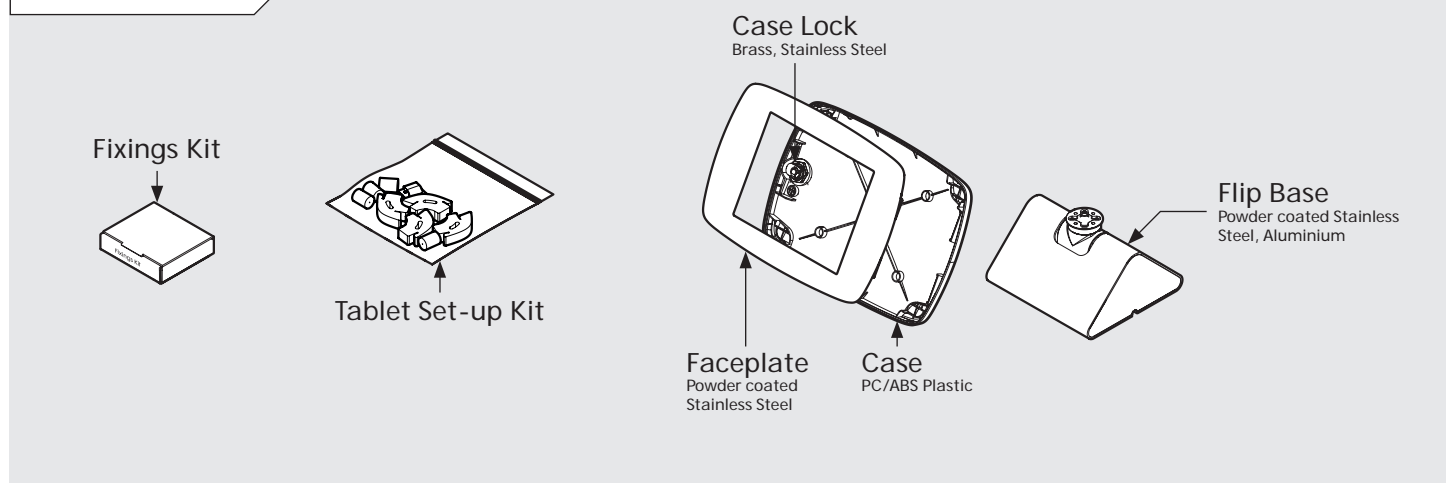
PRODUCT DATA SHEET - BOUNCEPAD FLIP

bouncepad[®]

Case:	Arm:	Mounting:	Packaged weight:	Colour:
Mini	Flip	Not Applicable	2.86kg	White Black



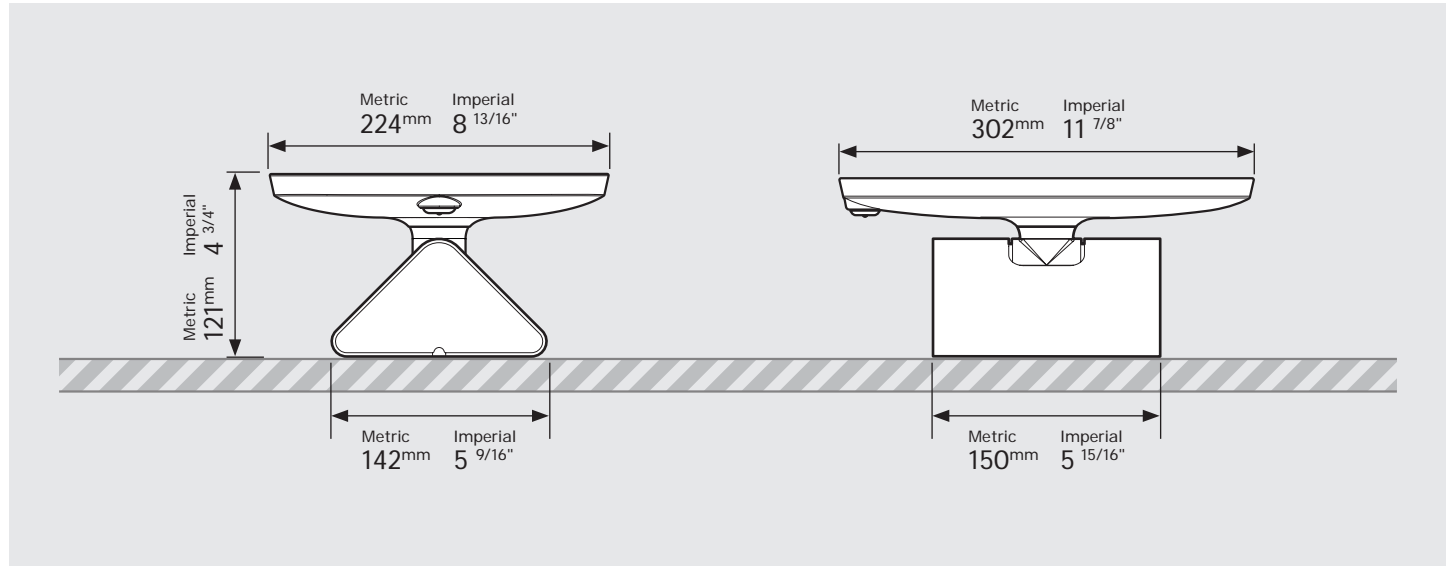
Parts in the Box



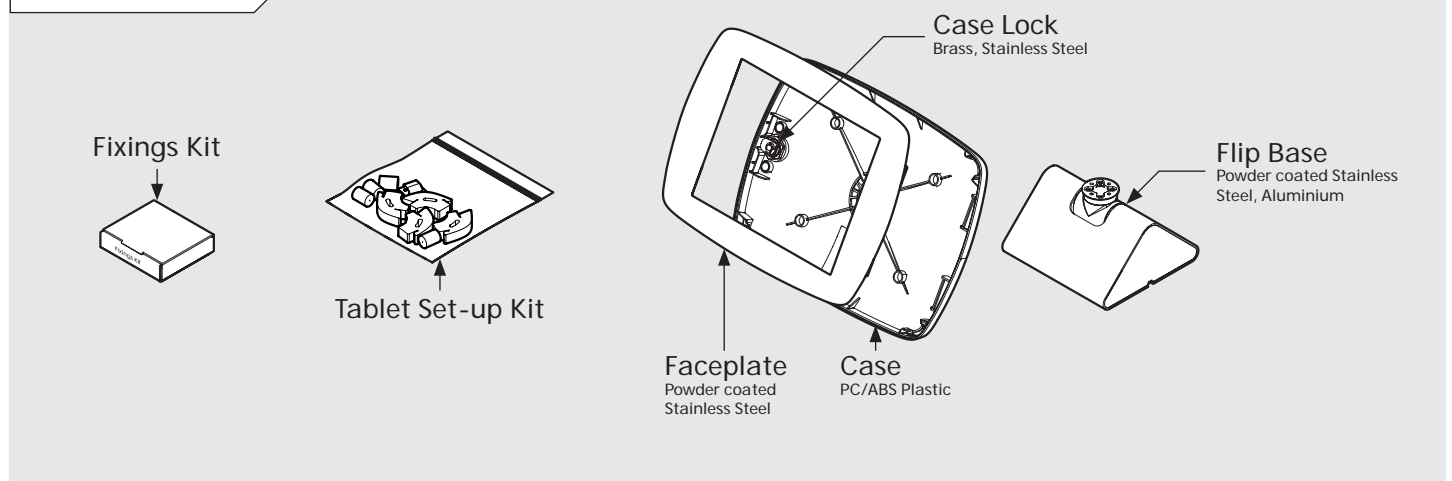
PRODUCT DATA SHEET - BOUNCEPAD FLIP

bouncepad[®]

Case:	Arm:	Mounting:	Packaged weight:	Colour:
Midi	Flip	Not Applicable	3.04kg	White Black



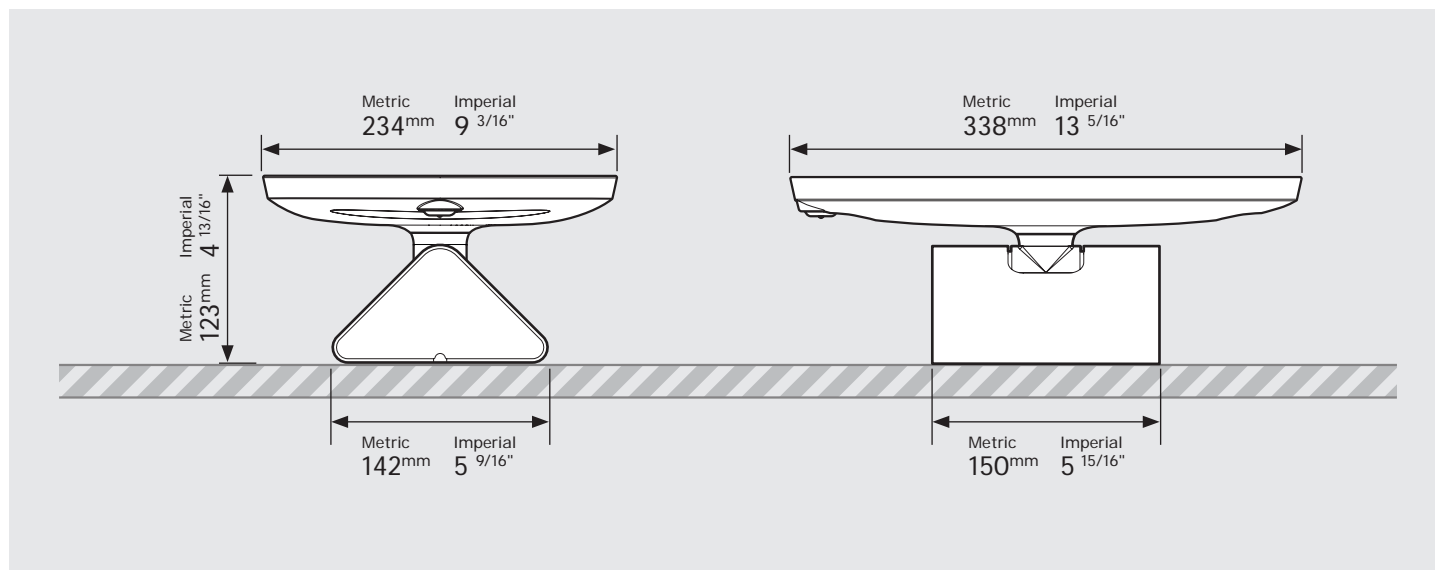
Parts in the Box



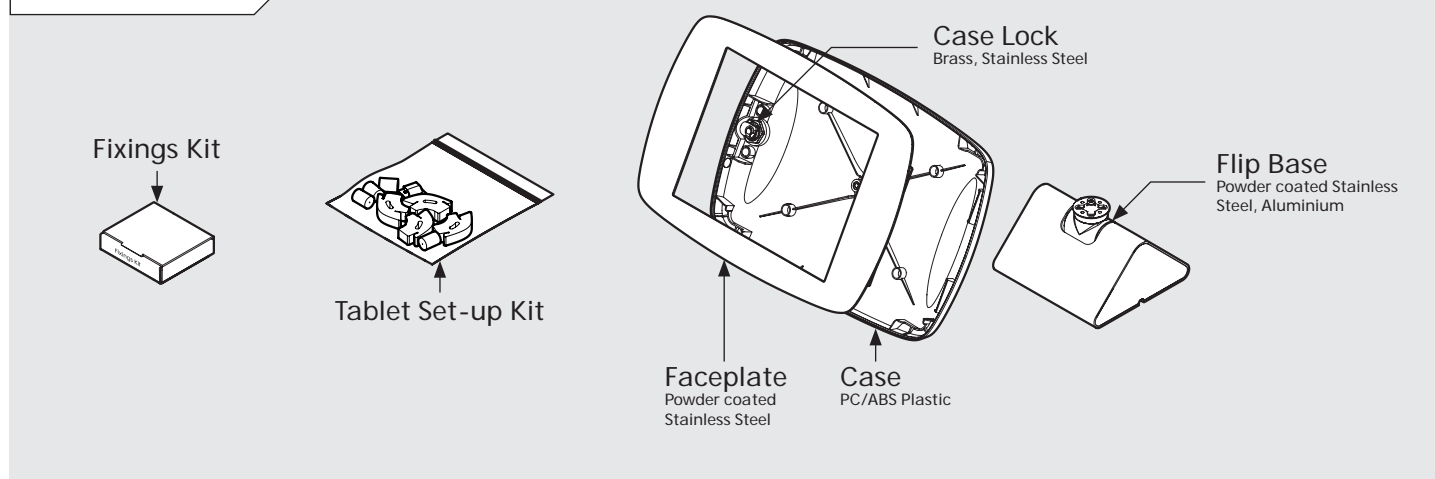
PRODUCT DATA SHEET - BOUNCEPAD FLIP

bouncepad[®]

Case:	Arm:	Mounting:	Packaged weight:	Colour:
Maxi	Flip	Not Applicable	3.27kg	White Black



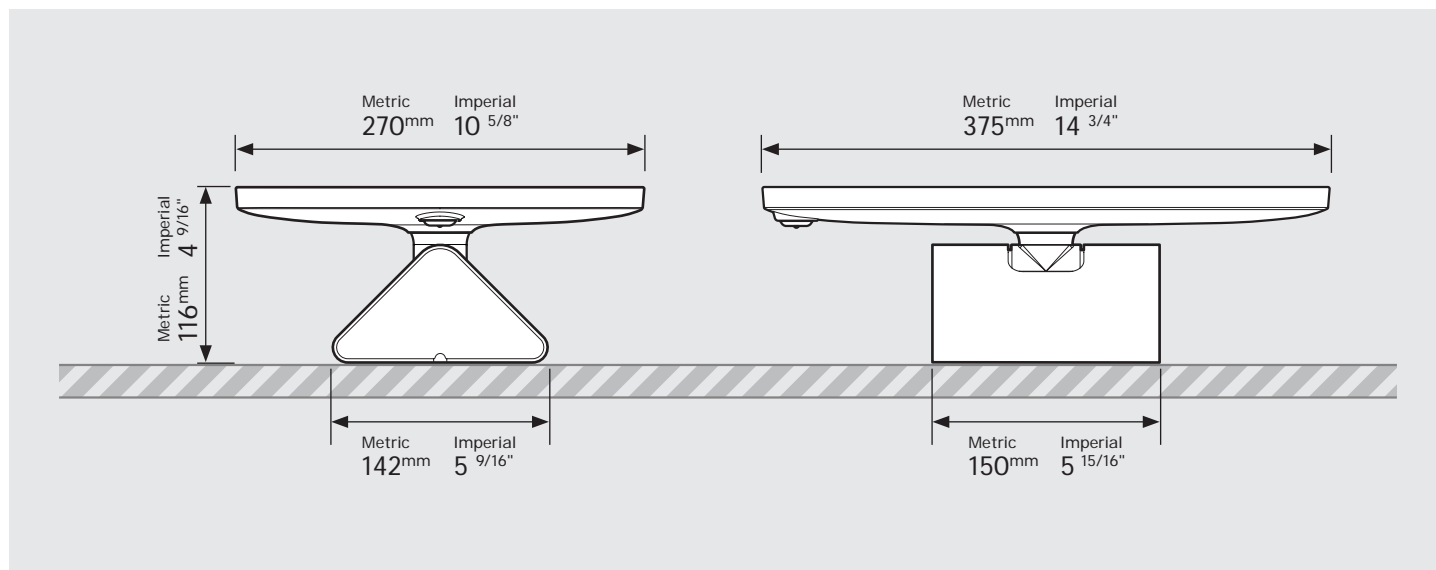
Parts in the Box



PRODUCT DATA SHEET - BOUNCEPAD FLIP

bouncepad[®]

Case:	Arm:	Mounting:	Packaged weight:	Colour:
Mega	Flip	Not Applicable	3.4kg	White Black



Parts in the Box

