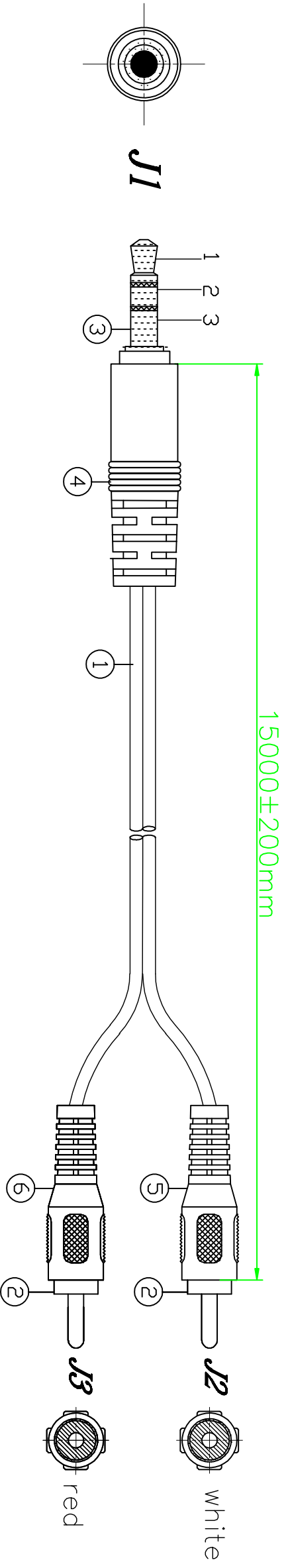


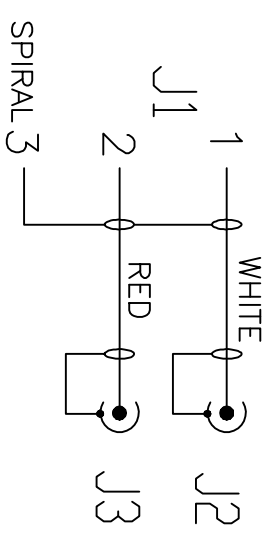
RevNo	Revision note	Date	Signature/Checked
-------	---------------	------	-------------------



REQUIREMENTS:

1:100% short,open and miss wire test.

PIN OUT



⑥	MOLDED	RED 45P PVC	8.4	G
⑤	MOLDED	WHITE 45P PVC	8.4	G
④	MOLDED	BLACK 45P PVC	8.4	G
③	CONNECTOR	3.5/M STEREO PLUG SOLDER TYPE BLACK INSULATOR, GOLD FLASH SHELL	1	PCS
②	CONNECTOR	RCA TUBULAR MALE:,WHITE INSULATOR, GOLD FLASH SHELL	2	PCS
①	CABLE	(10/0.10CCS+SPIRAL28*0.10CCS+PVC)*2C JACKET:BLACK PVC OD:2.8*5.6MM	15	M
NO.	MATERIAL	DESCRIPTIONG	QTY.	UNIT

Ltemref	Quantity	Title/Name,designation,material,dimension etc	Article No./Reference
Designed by ACHY	Checked by HELEN	Approved by - date MARCH 4,2012	File name 35/M-RCA/Mx2-L=15M Date MARCH 4,2012 Scale FREE

15MSP2RCA		Edition	Sheet
		1	1/1