

**Desono™**  
**MASK4C(T) / MASK6C(T) Loudspeaker**  
**Installation & Operation Guide**



## PRODUCT DESCRIPTION

The Desono MASK4C(T) / MASK6C(T) surface mount loudspeakers deliver crystal clear sound for all your public address and background music needs. Available in black or white, the coated paper cone woofer and silk dome tweeter result in a high SPL and extremely low distortion, ensuring unprecedented clarity over the entire frequency spectrum.

The ClickMount bracket enables all audio connections to be made at the bracket. Pre-defined horizontal and vertical notches in the bracket make loudspeaker adjustments fast and repeatable. To complete the installation, simply 'click' the loudspeaker in place.

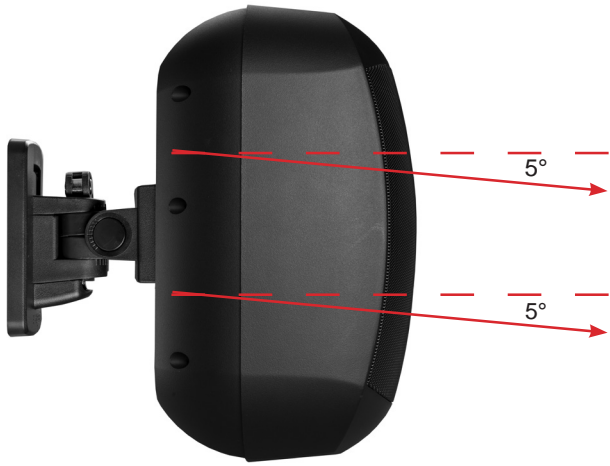
The loudspeakers are designed for outdoor applications such as patios or concourses, and are an ideal choice for both indoor and outdoor distributed audio applications that demand superior speech intelligibility and full range music reproduction. The loudspeakers are of rigid construction to withstand extreme conditions.

## FEATURES

- Weather-resistant (aluminium grille)
- Wall and ceiling mountable with ClickMount click & connect
- Connectors with passthrough and 0.14 – 4 mm<sup>2</sup> solid or stranded wire capacity
- Glass fibre reinforced ClickMount bracket with integrated spirit level
- 3 stage overload protection
- Asymmetric tweeter horn design
- Coated 4.25" LF driver for MASK4C(T) and 6.5" LF driver for MASK6C(T)
- Horn loaded silk dome tweeter
- Rotatable logo
- 70W power handling for MASK4C(T) and 200W for MASK6C(T)
- Low Impedance (8 and 16 ohm) and 70V/100V operation (on T versions)
- Integrated safety nut for SAF CAB (supplied)
- The installer can mount the ClickMount and connect the speaker cables while the speakers are still safely packed inside the packing carton.
- Incorporated 5° downward listening angle

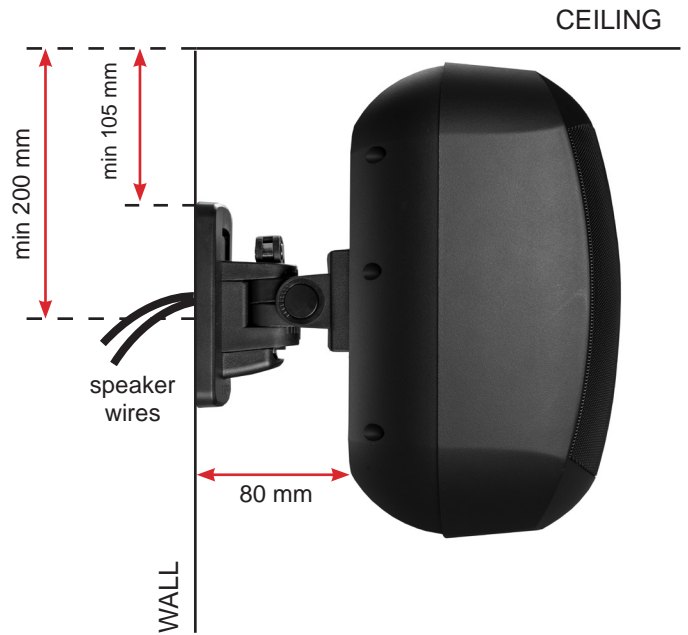


## Downward listening axis

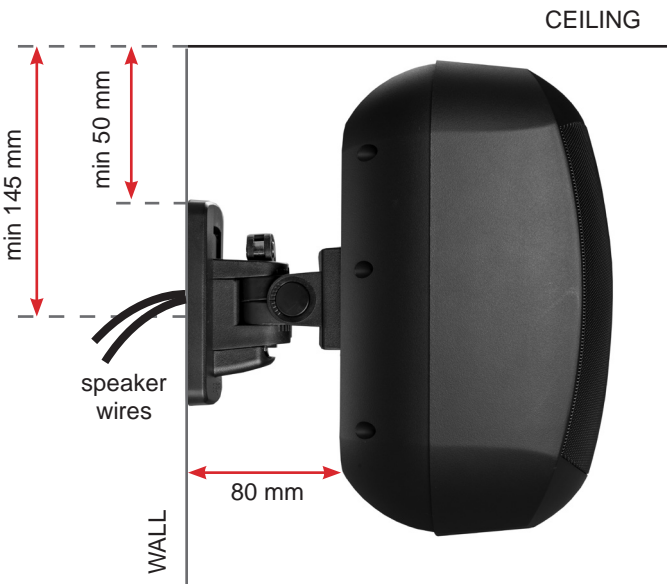


The ClickMount facilitates safe and simple installation. Note the minimum distance from the ceiling and wall as shown in the drawings.

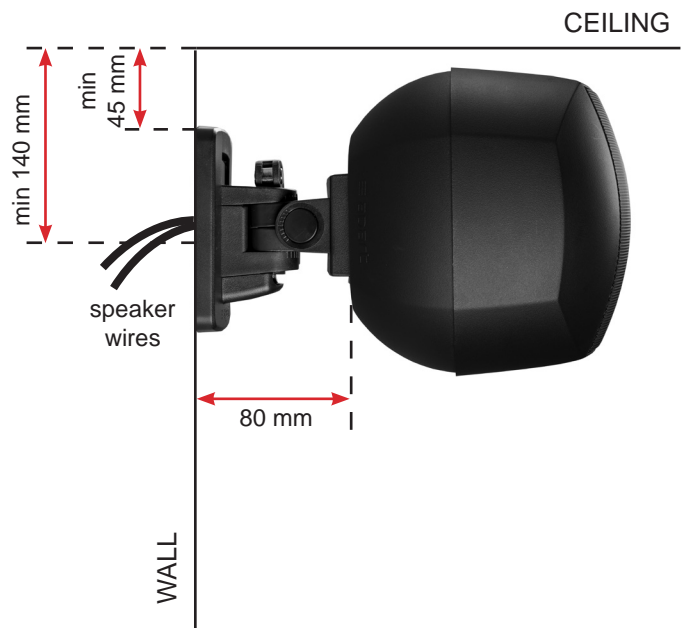
## MASK6C(T) vertical mounting



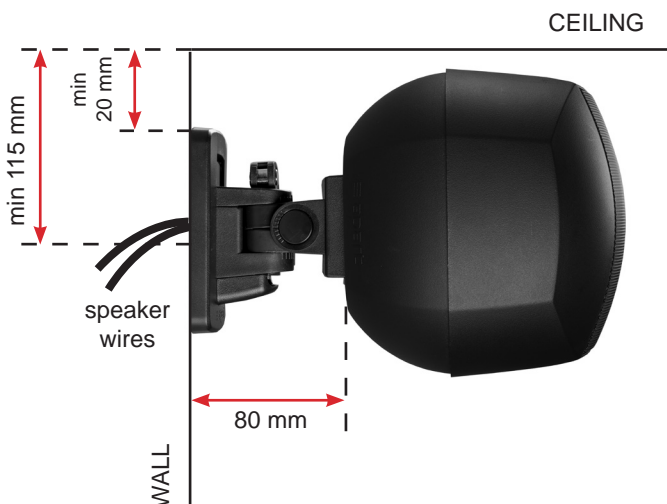
## MASK4C(T) vertical mounting



## MASK6C(T) horizontal mounting



## MASK4C(T) horizontal mounting



## CLICKMOUNT INSTALLATION

1. Determine where the ClickMount will be located. Refer to the diagrams on the previous page for the recommended distance between the ClickMount and the ceiling and wall.

The cable entry point is 95mm below the top of the bracket. The cable can enter from the rear of the bracket so that it is hidden from view.

**CAUTION:** The ClickMount MUST be mounted with the arrows facing upwards.



2. Mark the four mounting holes on the wall. Use the built-in spirit level for correct positioning of the ClickMount.



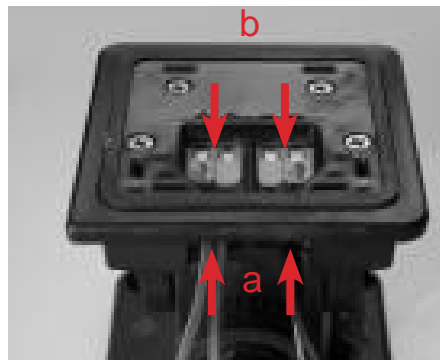
3. Drill the mounting holes and secure the ClickMount with hardware that will support the weight of the speaker. When drilling holes avoid any hidden cables or objects inside the wall.
4. Guide the speaker wires through the ClickMount bracket and up to the connection terminals.



5. Open the connection terminals.



6. Guide the wires through the bracket (a). Connect the speaker wires, ensuring correct polarity (b). Two positive and two negative connectors allow the speakers to connect in a daisy chain. Close the connection terminals to clamp the wires.



7. Click the cover plate in place.



8. Rotate the ClickMount as required by loosening the quick lock lever.



9. Attach the SAFCAB cable from the rear of the speaker to a secondary mounting point on the wall. Position the secondary mounting point close to and above the ClickMount to avoid kinetic force if the mount should fail.

**Note:** The SAFCAB can handle more than 10 times the speaker's weight.


Ensure the mounting hardware is appropriate for the wall construction.



## POWER SETTINGS

MASK4CT / MASK6CT only: Rotate the power selector knob to the required position.

The 16 ohm position is for low impedance amplifiers only.


 **CAUTION:** The 16 ohm setting is not compatible with 70 or 100 volt line amplifiers.

MASK4CT



MASK6CT

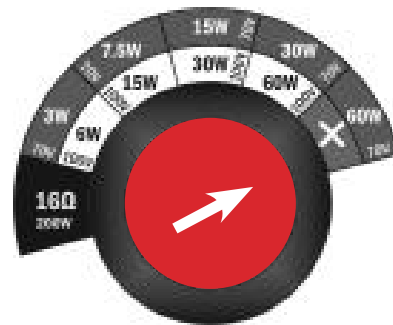


 **CAUTION:** Do not use the speaker on 100 volt speaker lines with the power switch in the position shown below. This position is only compatible with 70 volt line amplifiers.

MASK4CT



MASK6CT



## LOUDSPEAKER INSTALLATION

1. Push the loudspeaker on to the ClickMount. Do not push on the grille.



2. Fasten the quick lock lever and click the speaker on the ClickMount until the unit is secure. If necessary, adjust the lock tension from the quick lock lever.



**CAUTION:** Do not push on the grille. If the ClickMount is located close to the ceiling (minimum 105 mm), then temporarily loosen the quick lock lever and tilt the mounting plate downward a few clicks to secure the speaker.



**CAUTION:** The 16 ohm power setting on the CT models is not compatible with 70 or 100 volt line amplifiers.


3. The speaker can be mounted on the ClickMount in four ways: upright, 90° rotated to the left, 90° rotated to the right or at the ceiling. Do not attempt to mount the speaker upside down on the ClickMount. When the speakers are mounted 90° rotated to the left or right, the logo may be rotated on the grille to match its orientation.

**Note:** All MASK models have a 3 stage overload protection.


When too much power is fed into a MASK, a red LED will blink when the audio signal hits peak levels. When this early warning is neglected, the overload protection will disconnect the signal to the loudspeakers and the red LED will remain lit.

Turn the audio level down. After about three seconds of cooling down the signal will be reconnected to the loudspeakers.

## PAINTING THE LOUDSPEAKER

 **CAUTION:** Although the loudspeaker is paintable, Biamp does not recommend painting grilles that are not removable.

1. Fully mask the grille and loudspeaker face so that all internal components will not receive any paint. Also mask off any input, tap switch, mounting connections, and safety labels. Don't use conventional masking tape and NEVER use duct tape. These kinds of tape leave adhesive residue that is difficult to remove and may cause damage. Painter's or other low-adhesive tape is best.
2. Spray paint with two light coats. Let all components dry completely before reassembly.
3. Remove all of the masking materials.

 **CAUTION:** NEVER use abrasives, gasoline, kerosene, acetone, methyl ethyl ketone (MEK), paint thinner, harsh detergents or other chemicals on the loudspeaker. These chemicals and agents may permanently damage the finish. Some are also toxic and highly flammable.

**IMPORTANT:** Blocking the grille holes with paint or getting any paint on the drivers or internal parts will affect loudspeaker performance and void the warranty.

---

## CONTACT US

Email: [support@biamp.com](mailto:support@biamp.com)

Web: [support.biamp.com](http://support.biamp.com)

Warranty: [biamp.com/legal/warranty-information](http://biamp.com/legal/warranty-information)

Safety & Compliance: [biamp.com/compliance](http://biamp.com/compliance)