

bouncepad®

Click

Assembly Instructions

No tools required for Freestanding

Tools Required to Fix From Above:

- Drill
- 3.5mm Drill bit
- Pencil
- PZ2 Screwdriver
- Tape Measure

Tools Required to Fix From Below:

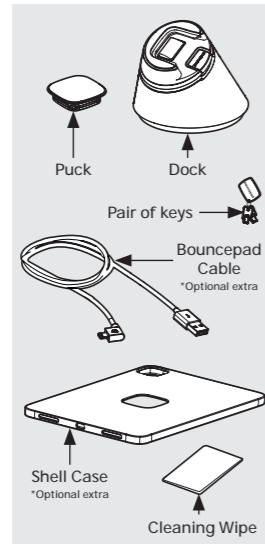
- Drill
- 5mm Drill bit
- Pencil
- PZ2 Screwdriver
- Tape Measure

Sheet Code: BP-IM-073_REV4

Release Date: 20/12/2021

Copyright 2021 Spotspot Ltd. (T/A Bouncepad) all rights reserved.

Confidential, no part of this publication may be reproduced or transmitted in any form without the written permission of the copyright holder.



4x No.8 x 38mm, PZ2 Countersunk Self-tapping Screw

4x M4 x 40mm, PZ2 Countersunk Screw

4x M4 Stainless Steel Washer

4x M4 Wing nut

1x M3 x 10mm, T10 Countersunk Screw

T10 L-Key

A	Puck Installation	Mandatory step
B	Disable Rotate	Mandatory if mounting on a vertical surface.
C	Freestanding	Tool-less horizontal mounting
D	Fixing from Above	Suitable if your surface is thicker than 34mm
E	Fixing from Below	Suitable if your surface is thinner than 28mm
F	How to Dock/Undock	Guide for Docking & Undocking your device.
G	Other	Optional security feature.



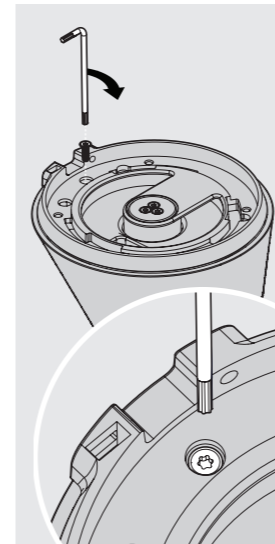
In the Box



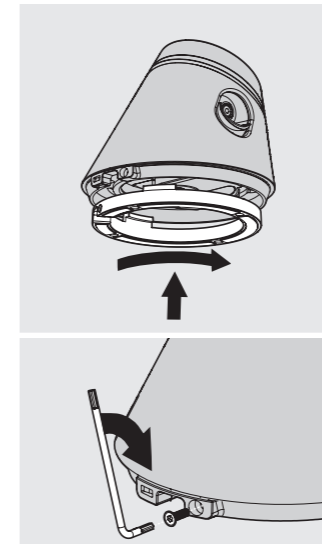
Fixings list



Manual Step Guide

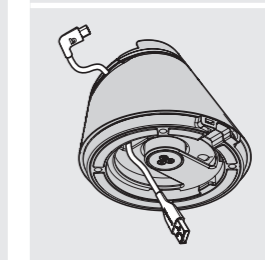
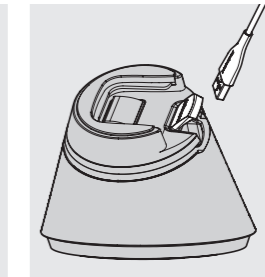


B2 Locate & secure the provided screw into the Dock as shown.

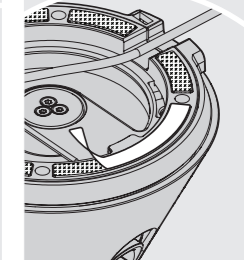
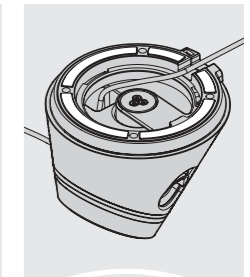


B3 Reattach & secure the Mount Ring to the Dock.

C
Freestanding
*Tool-less installation. Only suitable for horizontal surfaces.

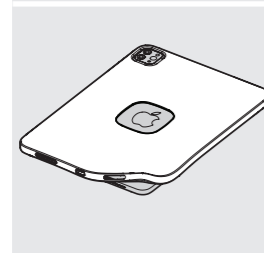
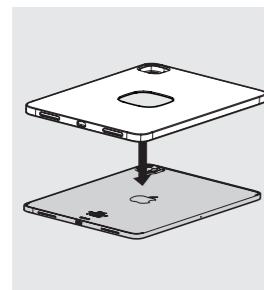


C1 Feed the cable through the Dock.



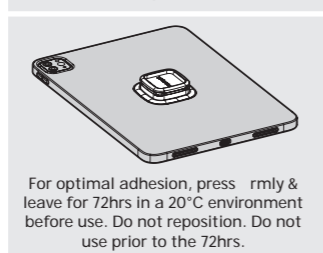
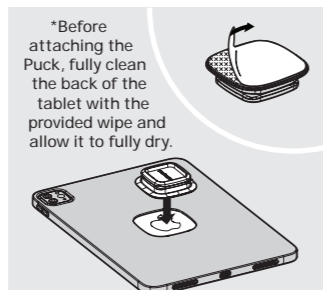
C2 Remove the backing from all gaskets.

A
Puck Installation
*This step is mandatory.



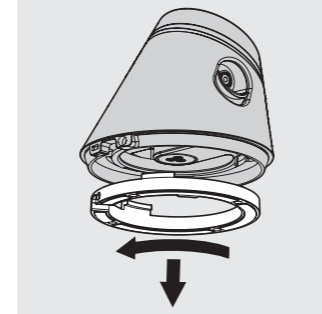
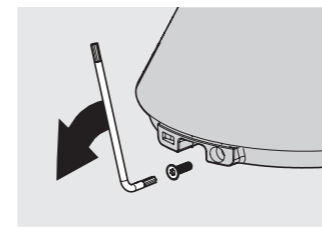
A1 If selected, fit the optional extra Shell Case to your device.

A2 Remove the Puck adhesive backing & locate the Puck level & centrally.



B1 Remove the Mount Ring locking screw, then removing the Mount Ring.

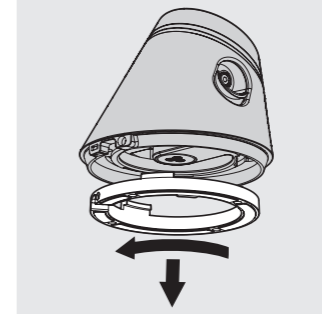
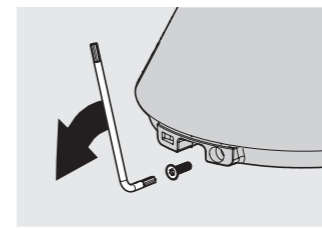
B
Disable Rotate
*The Dock is configured for rotate by default.
Disable rotate if mounting on a vertical surface.



B1 Remove the Mount Ring locking screw, then removing the Mount Ring.

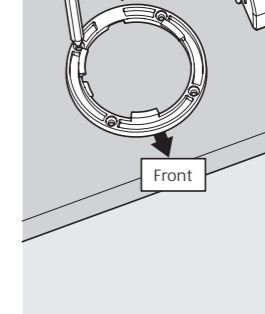
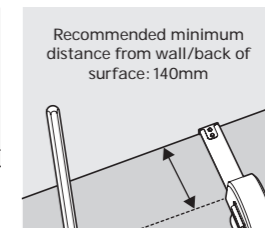
D
Fixing from Above
*Suitable if the mounting surface is thicker than: 34mm
Step C is mandatory if mounting on a vertical surface.

D
Fixing from Above
*Suitable if the mounting surface is thicker than: 34mm
Step C is mandatory if mounting on a vertical surface.



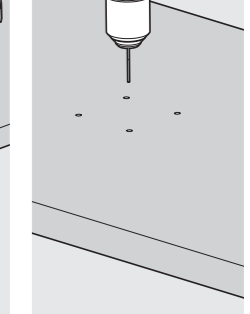
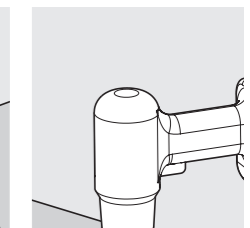
D1 Remove the Mount Ring locking screw before then removing the Mount Ring.

D2 Using the Mount Ring as a template, mark the drill holes.
Recommended minimum distance from wall/back of surface: 140mm

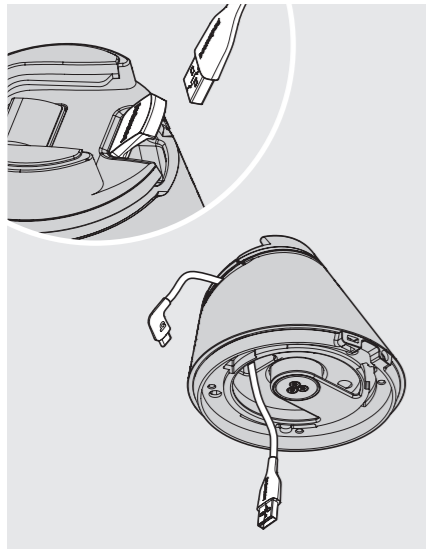


D2 Using the Mount Ring as a template, mark the drill holes.

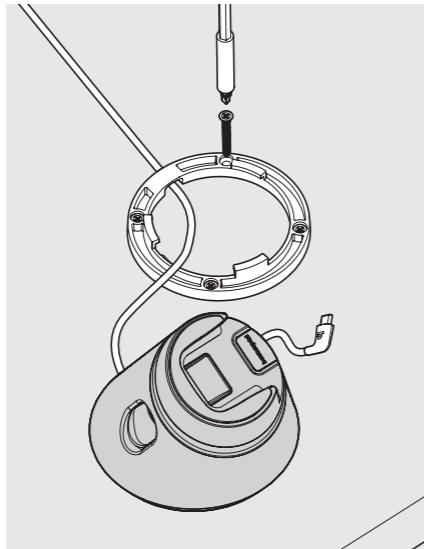
D3 Drill your mounting surface.



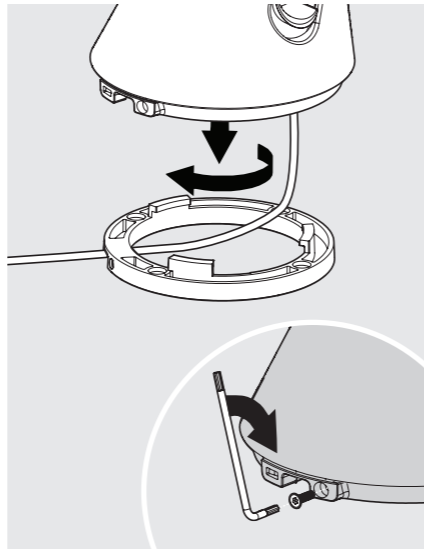
D3 Drill your mounting surface.



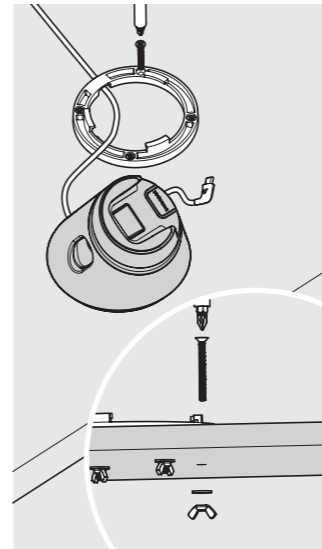
D4 Feed the cable through the Dock.



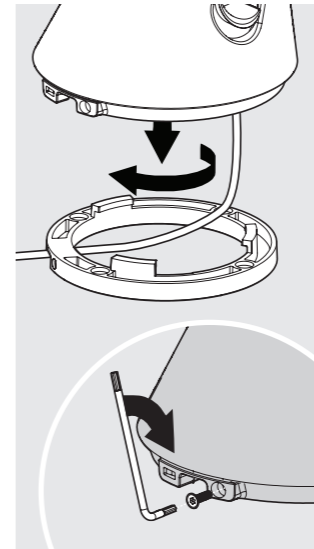
D5 Locate the cable as shown & secure the Mount Ring to your mounting surface.



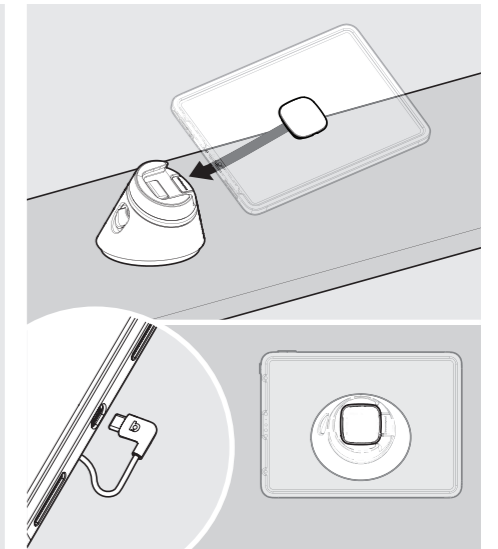
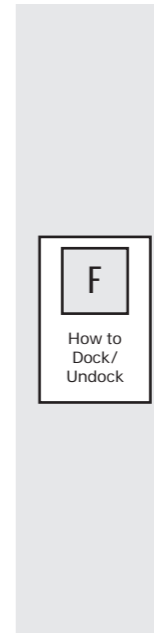
D6 Locate & secure the Dock onto the Mount Ring.



E5 Locate the cable as shown & secure the Mount Ring to your mounting surface.

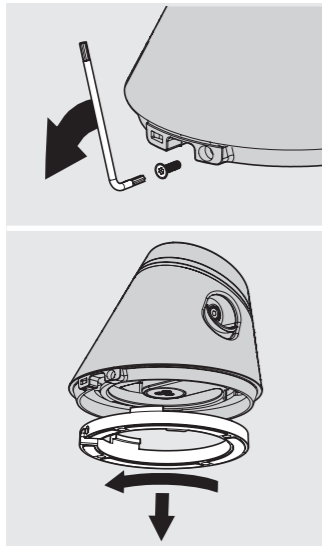


E6 Locate & secure the Dock onto the Mount Ring.

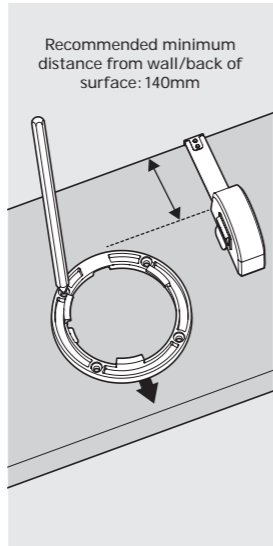


F1 Slide the Puck sideways, fully into the Dock. The Dock retains your device. The cable can now be connected.

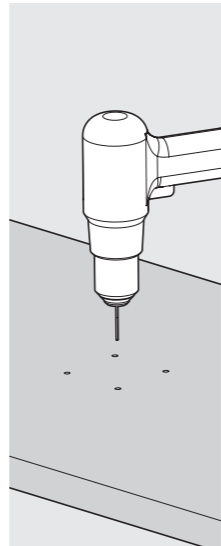
E
Fixing from Below
*Suitable if the mounting surface is thinner than: 28mm



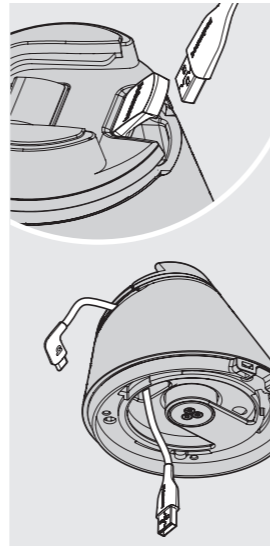
E1 Remove the Mount Ring locking screw before then removing the Mount Ring.



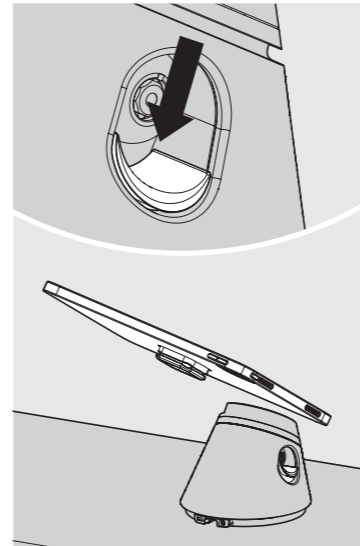
E2 Using the Mount Ring as a template, mark the drill holes.



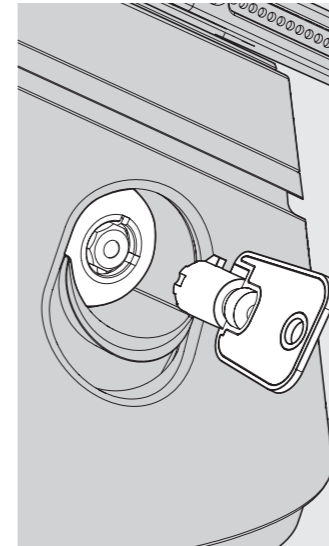
E3 Drill your mounting surface.



E4 Feed the cable through the Dock.

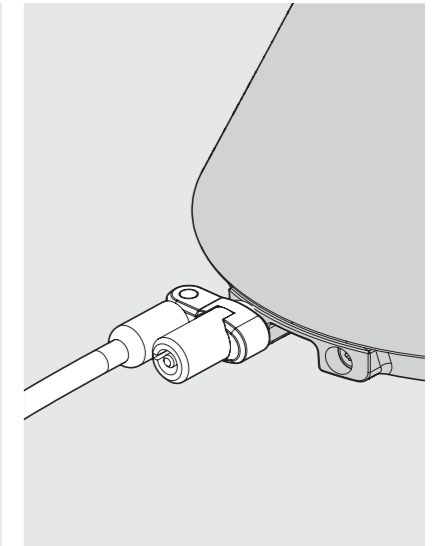


F2 To undock, depress the release button & simultaneously slide your device out of the Dock.



F3 For added security, lock the Dock with your key whilst your device is Docked.

G
Other



G1 For additional security, tether your Dock with a Kensington security cable. *Security cable not provided.