

# bouncepad®

## Click

### Assembly Instructions

No tools required for Freestanding

Tools Required to Fix From Above:

- Drill
- 3.5mm Drill bit
- Pencil
- PZ2 Screwdriver
- Tape Measure

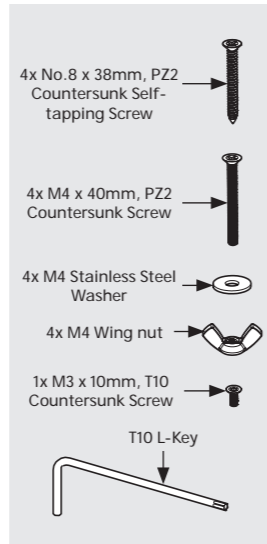
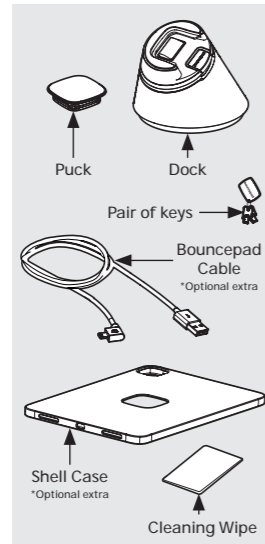
Tools Required to Fix From Below:

- Drill
- 5mm Drill bit
- Pencil
- PZ2 Screwdriver
- Tape Measure

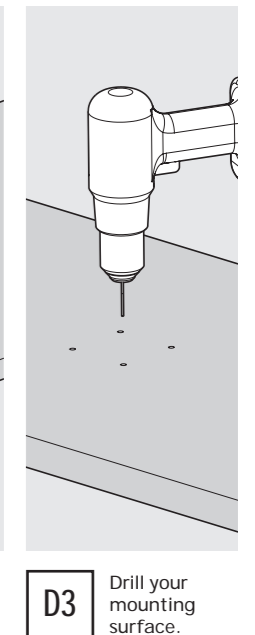
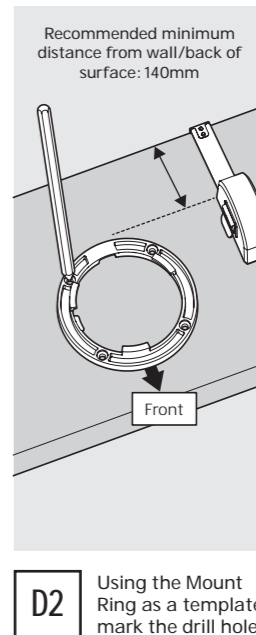
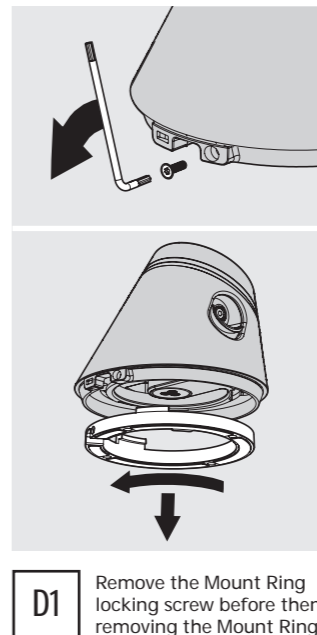
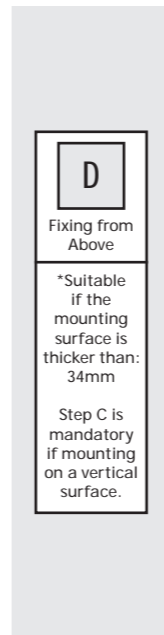
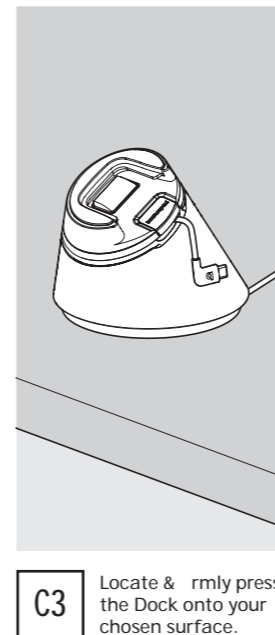
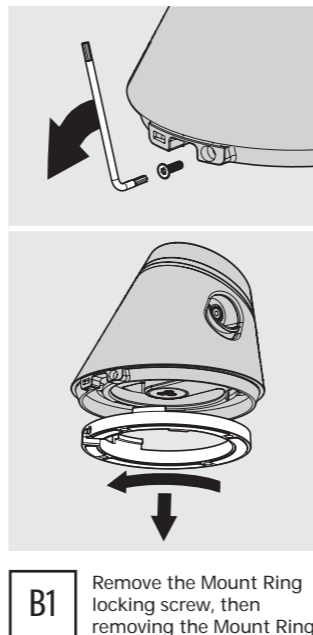
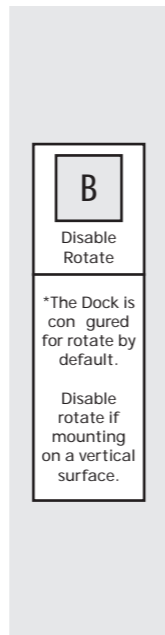
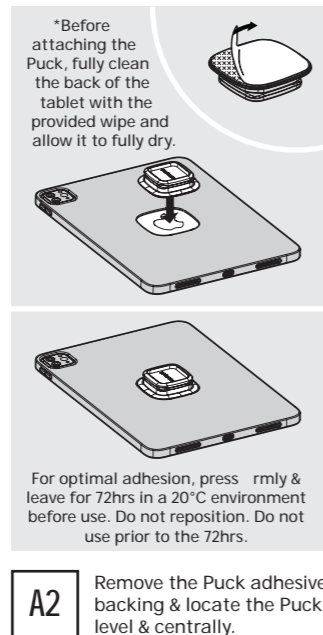
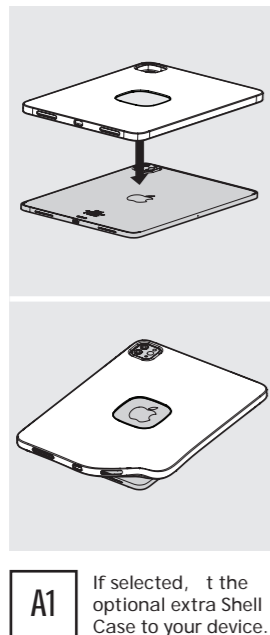
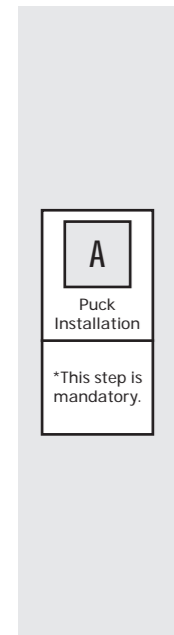
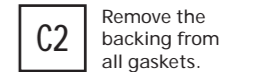
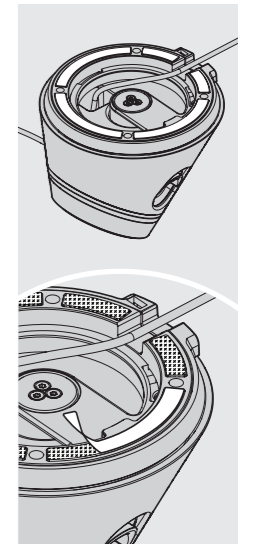
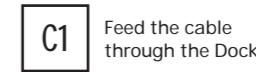
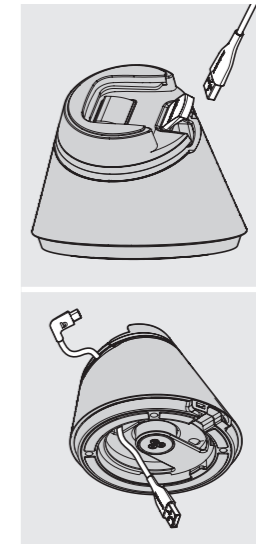
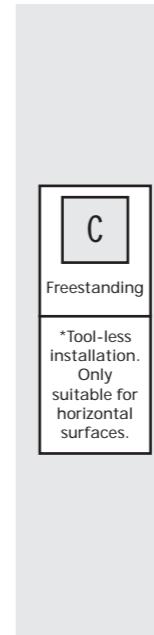
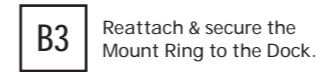
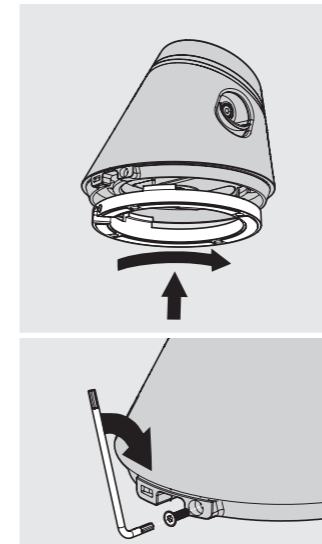
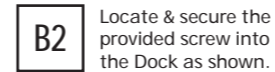
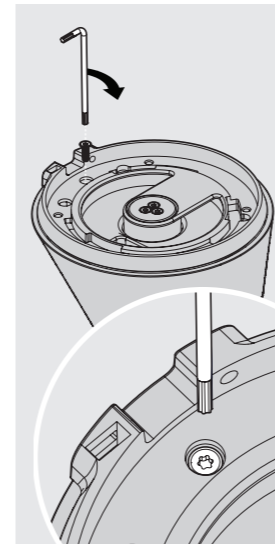
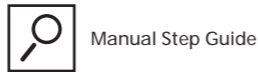
Sheet Code: BP-IM-073\_REV4

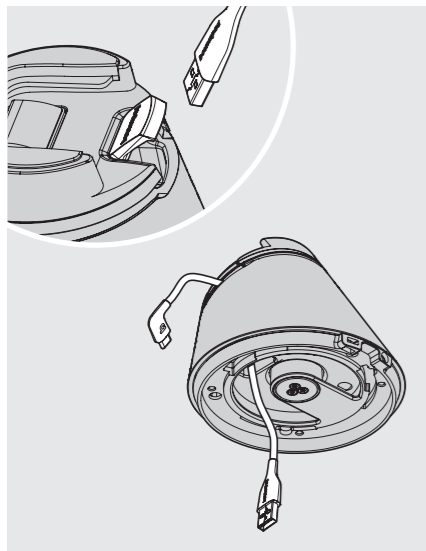
Release Date: 20/12/2021

Copyright 2021 Spotspot Ltd. (T/A Bouncepad) all rights reserved. Confidential, no part of this publication may be reproduced or transmitted in any form without the written permission of the copyright holder.

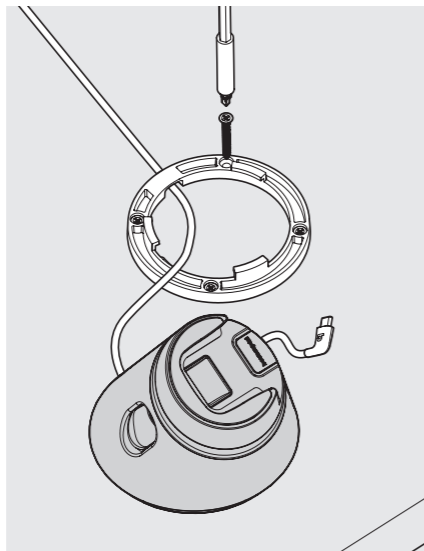


<b>A</b>	Puck Installation	Mandatory step
<b>B</b>	Disable Rotate	Mandatory if mounting on a vertical surface.
<b>C</b>	Freestanding	Tool-less horizontal mounting
<b>D</b>	Fixing from Above	Suitable if your surface is thicker than 34mm
<b>E</b>	Fixing from Below	Suitable if your surface is thinner than 28mm
<b>F</b>	How to Dock/Undock	Guide for Docking & Undocking your device.
<b>G</b>	Other	Optional security feature.

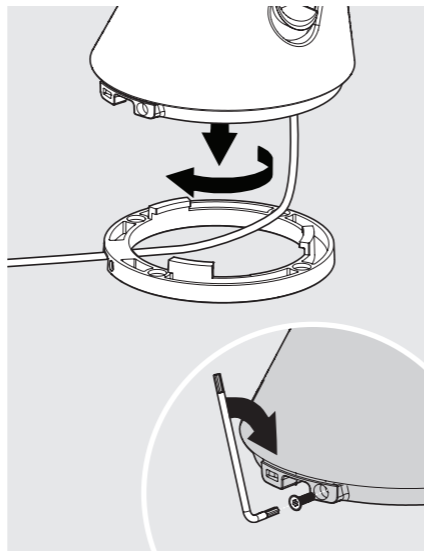




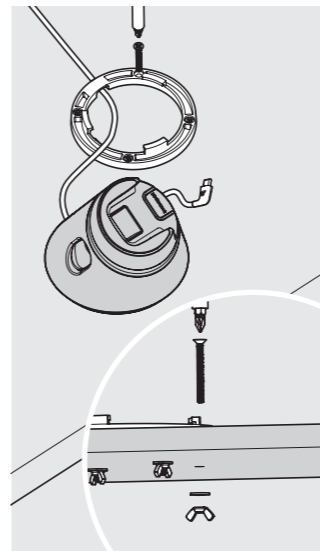
**D4** Feed the cable through the Dock.



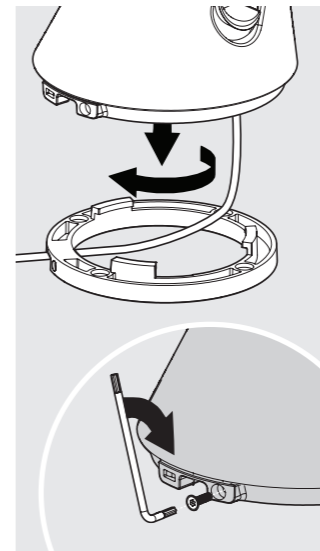
**D5** Locate the cable as shown & secure the Mount Ring to your mounting surface.



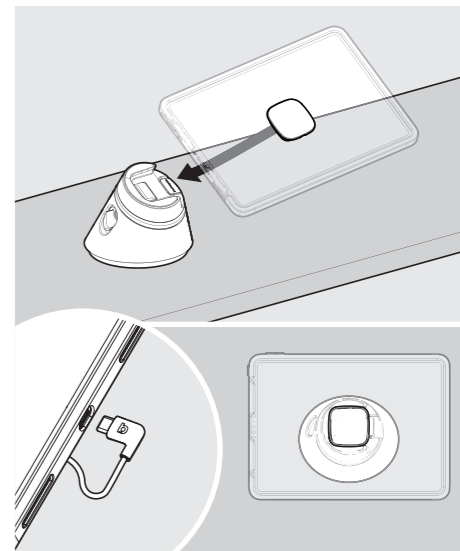
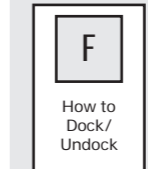
**D6** Locate & secure the Dock onto the Mount Ring.



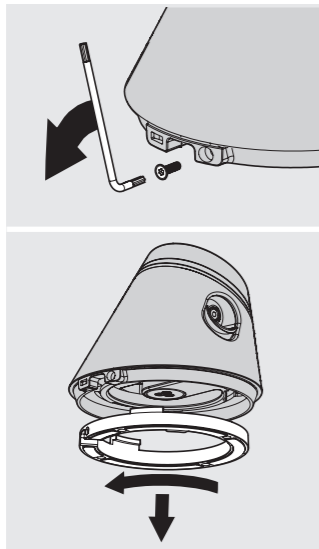
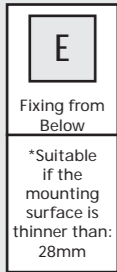
**E5** Locate the cable as shown & secure the Mount Ring to your mounting surface.



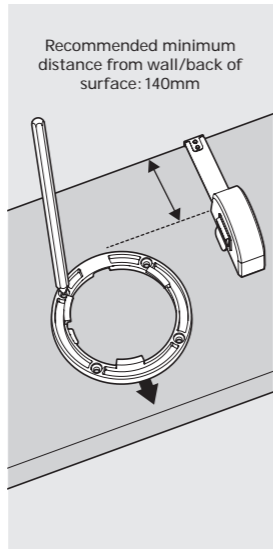
**E6** Locate & secure the Dock onto the Mount Ring.



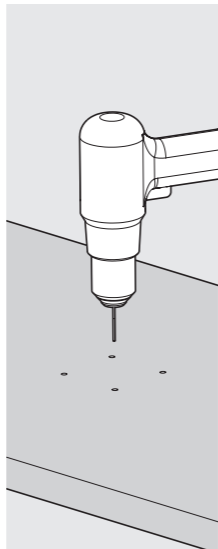
**F1** Slide the Puck sideways, fully into the Dock. The Dock retains your device. The cable can now be connected.



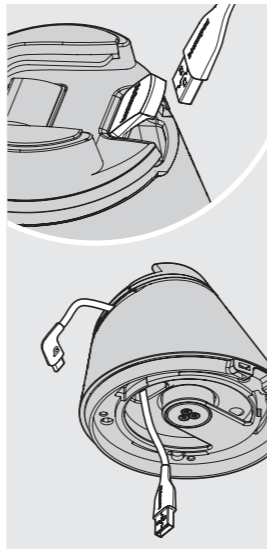
**E1** Remove the Mount Ring locking screw before then removing the Mount Ring.



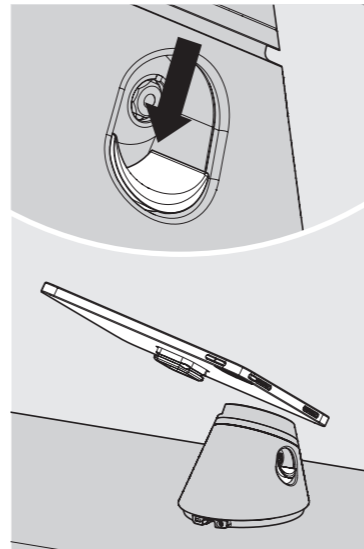
**E2** Using the Mount Ring as a template, mark the drill holes.



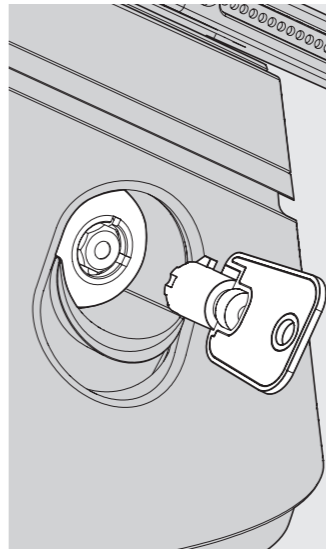
**E3** Drill your mounting surface.



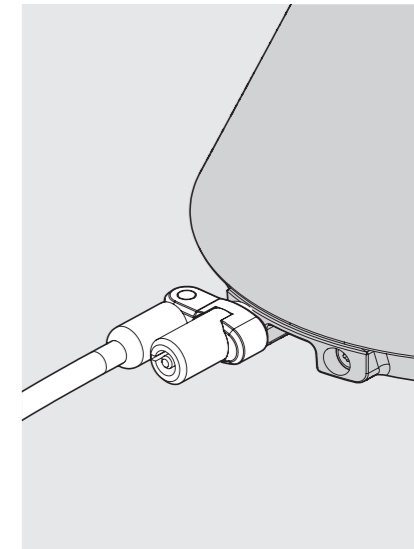
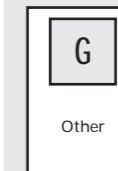
**E4** Feed the cable through the Dock.



**F2** To undock, depress the release button & simultaneously slide your device out of the Dock.



**F3** For added security, lock the Dock with your key whilst your device is Docked.



**G1** For additional security, tether your Dock with a Kensington security cable. \*Security cable not provided.