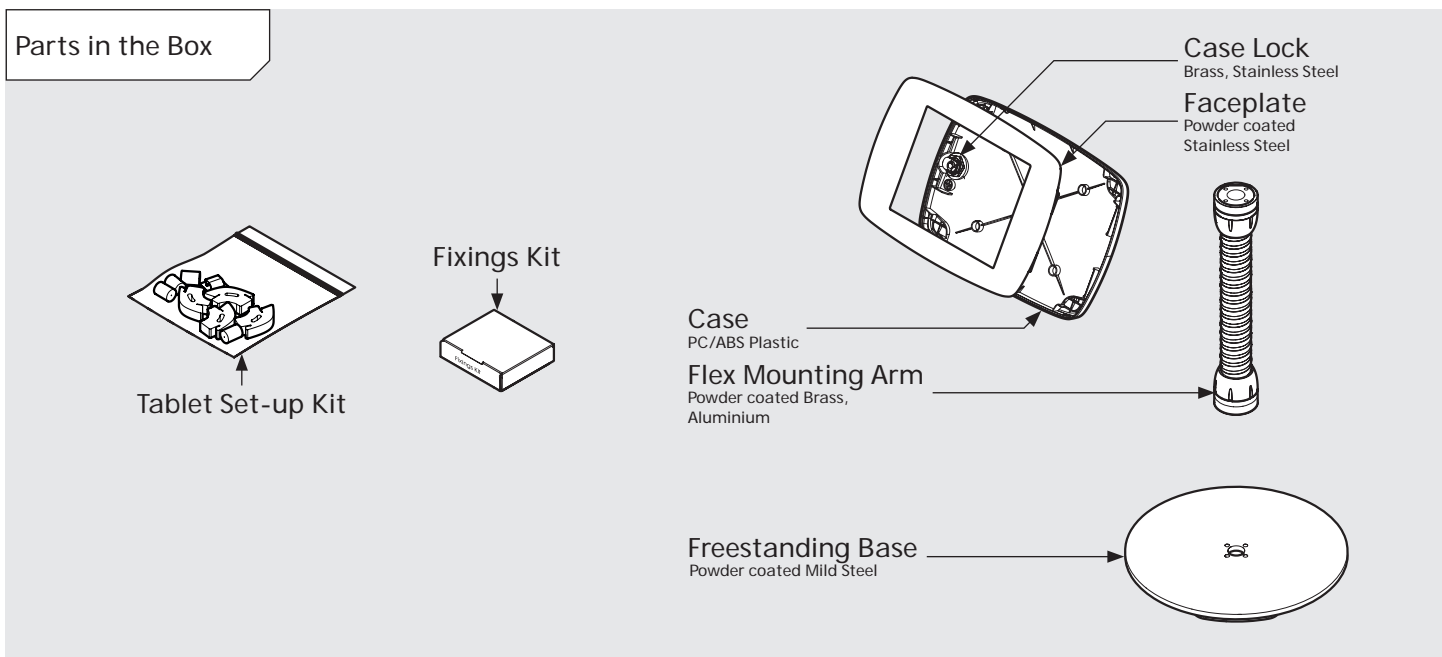
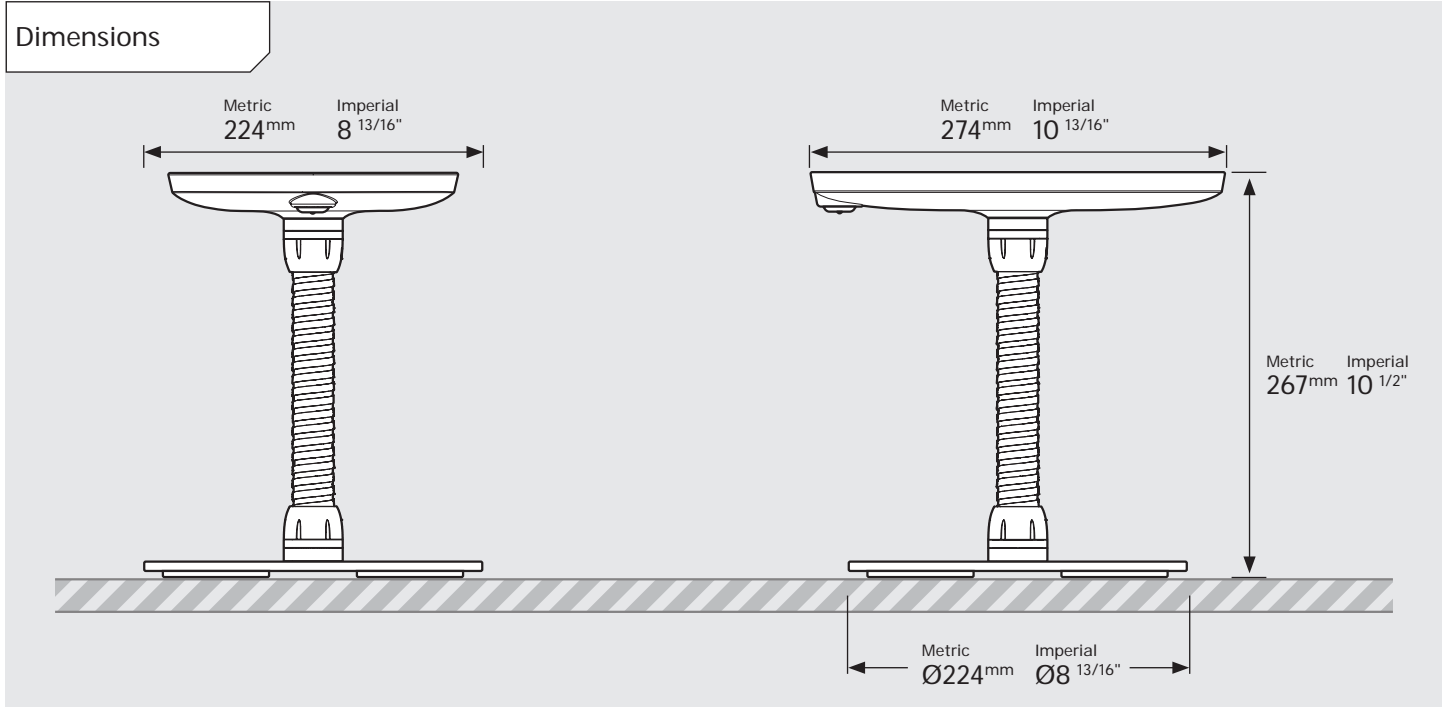


PRODUCT DATA SHEET - COUNTER FLEX (MINI CASE)

bouncepad[®]

Case: Mini Arm: Flex Mounting: Freestanding Base Packaged weight: 4.1kg Colour: White/Black

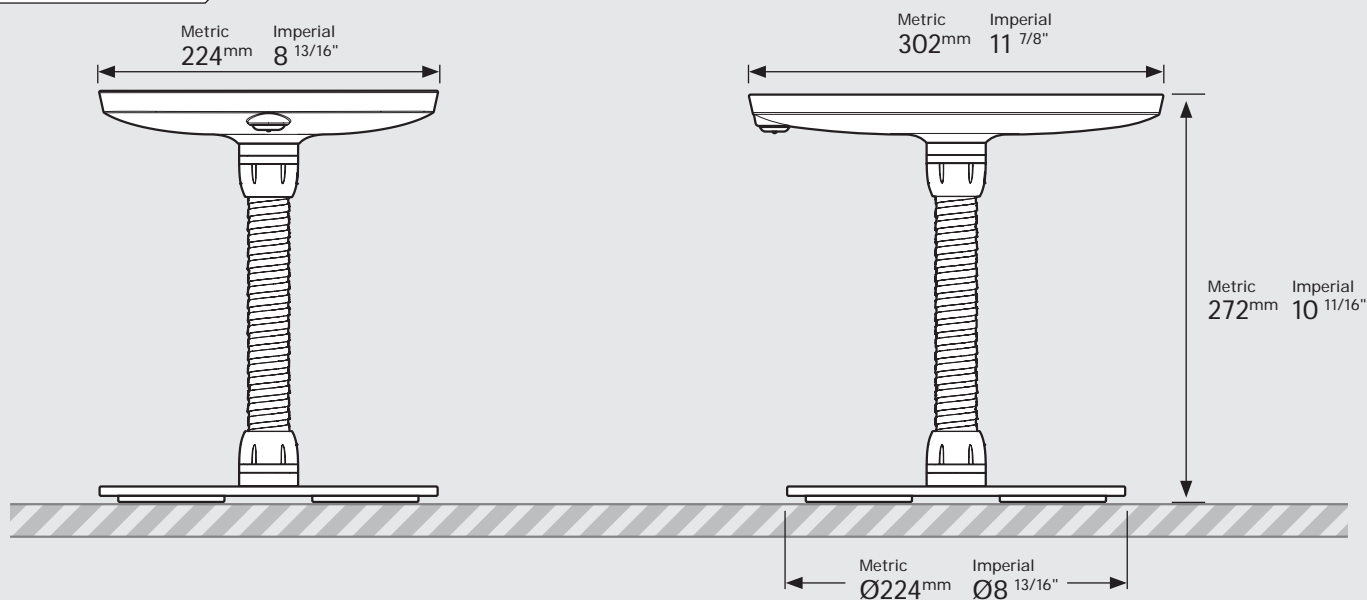


PRODUCT DATA SHEET - COUNTER FLEX (MIDI CASE)

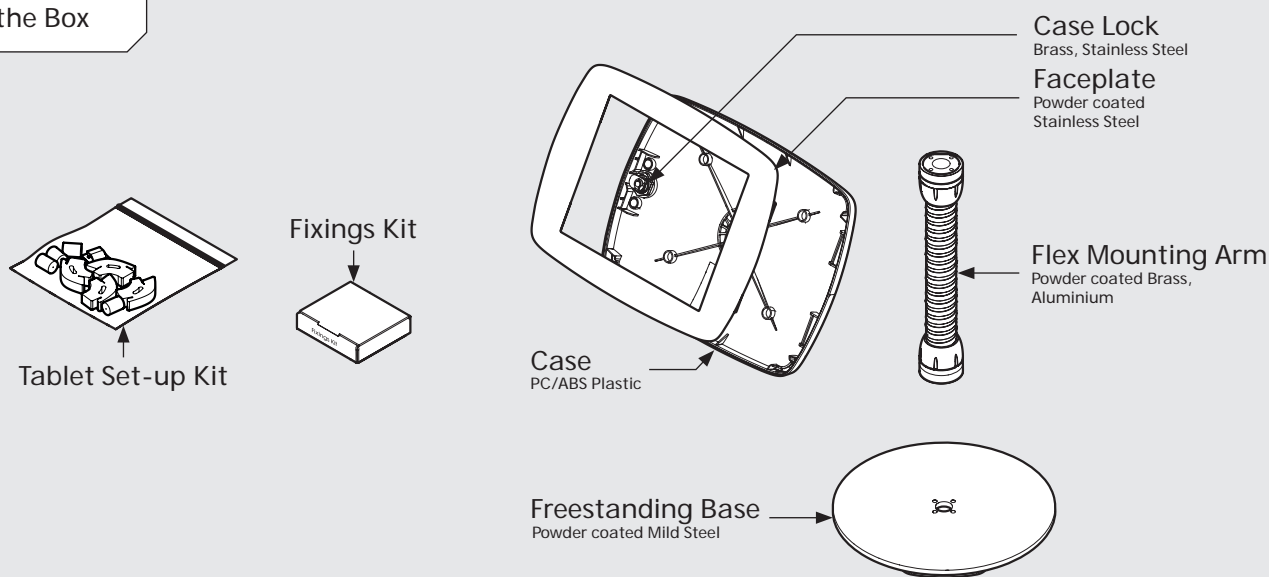
bouncepad[®]

Case: Midi Arm: Flex Mounting: Freestanding Base Packaged weight: 4.3kg Colour: White/Black

Dimensions



Parts in the Box

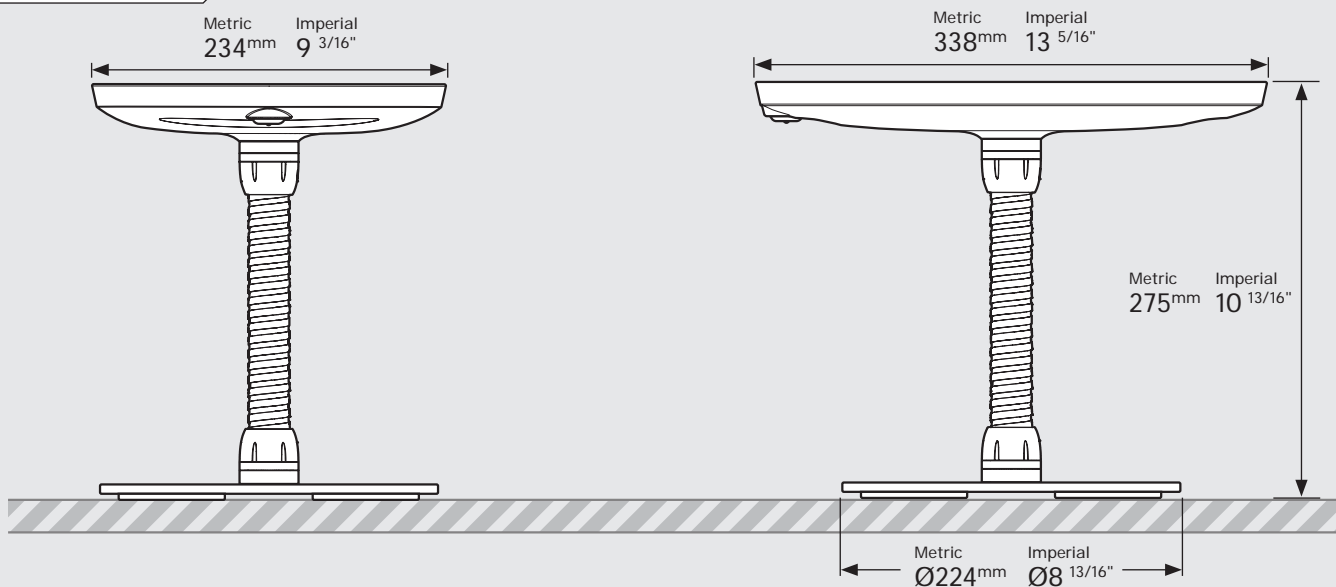


PRODUCT DATA SHEET - COUNTER FLEX (MAXI CASE)

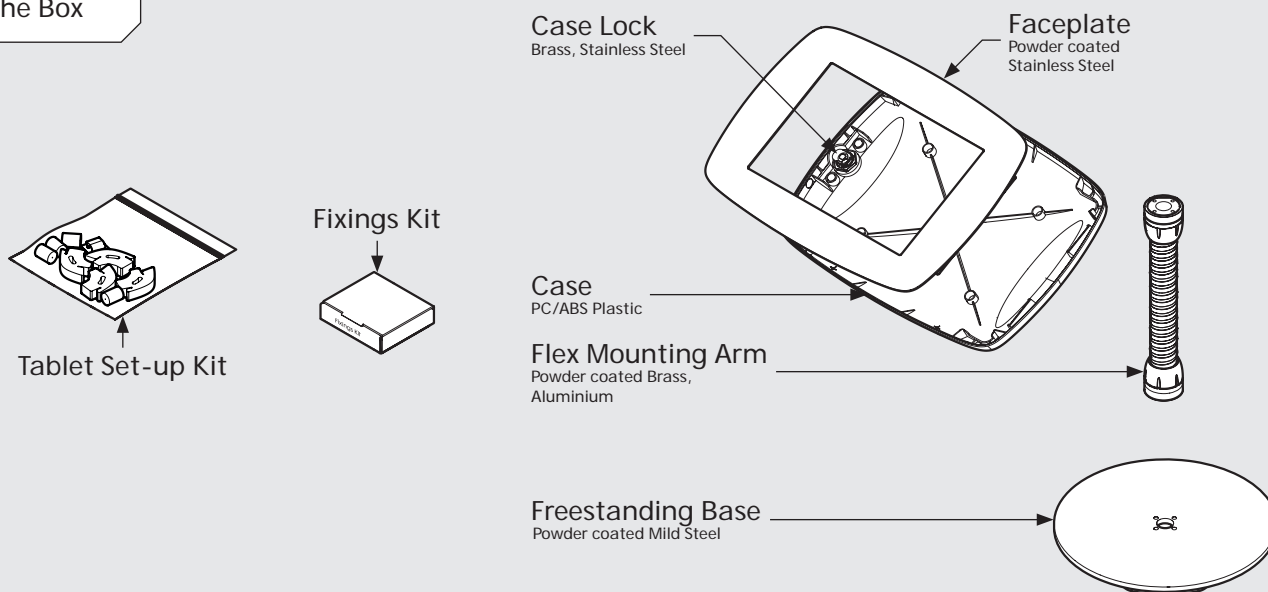
bouncepad[®]

Case: **Maxi** Arm: **Flex** Mounting: **Freestanding Base** Packaged weight: **4.5kg** Colour: **White/Black**

Dimensions



Parts in the Box



PRODUCT DATA SHEET - COUNTER FLEX (MEGA CASE)

bouncepad[®]

Case: Mega Arm: Flex Mounting: Freestanding Base Packaged weight: 5.0kg Colour: White/Black

