

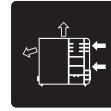
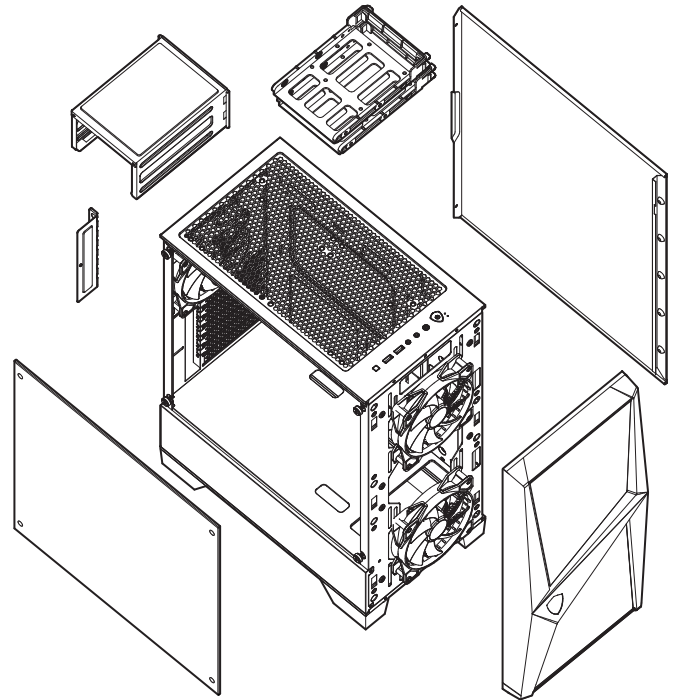


**MAG  
FORGE 100M**

**MAG  
FORGE 101M**

**MAG  
FORGE 100R**

Case Features / 機殼特色



Optimized Air Flow  
最佳風流設計



RGB Fan Included  
內含RGB風扇



Tool-Less Tempered Glass  
無螺絲與強化玻璃側板



Magnetic Filter  
磁吸防塵網



ARGB Fan Included  
內含ARGB風扇



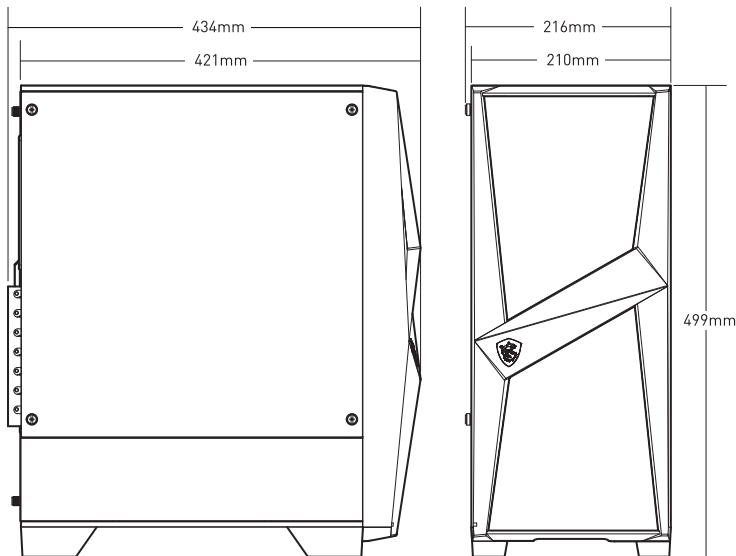
Mystic Light  
支援燈效軟體



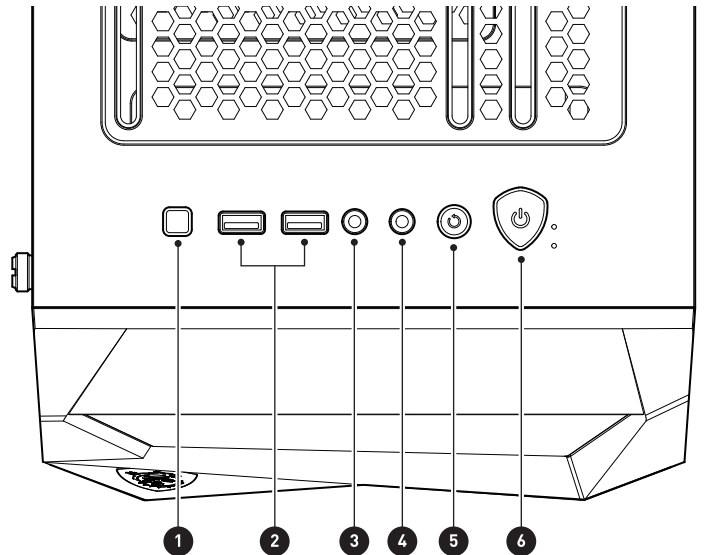
1 to 6 ARGB Control Board  
1對6 ARGB 控制板

For MAG FORGE 100R only  
僅 MAG FORGE 100R 支援

Side & Front View/ 側面和前面





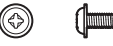




IO Panel / IO面板

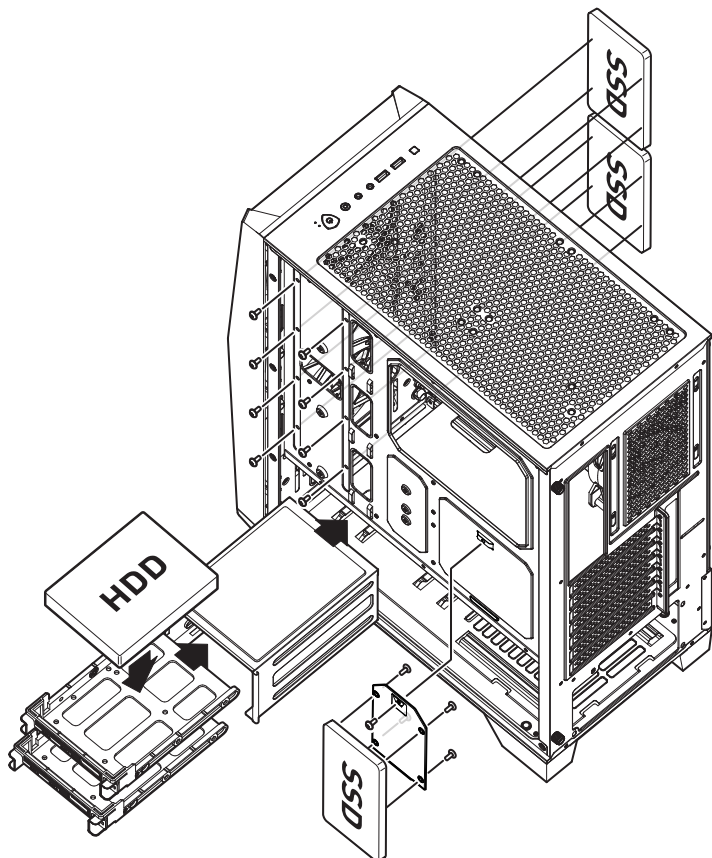


1. LED switch button / LED切換按鈕
2. USB 3.2 Gen1 Type A
3. Mic in / 音訊輸入
4. Audio out / 音訊輸出
5. Reset button / 重新開機按鈕
6. Power button / 電源按鈕

## Accessories / 配件

| Item 項目  | Name 名稱 / Q'ty 數量                | Used for 用途                      |
|--|----------------------------------|----------------------------------|
|    | Cable ties<br>束綫帶<br>x5          | Cable management<br>整線           |
|    | PCI slot cover<br>PCI 插槽擋片<br>x2 | PCI slot protection<br>保護PCI插槽   |
|    | Screw #6-32 10mm<br>手轉螺絲<br>x2   | Securing drive tray<br>固定硬碟托架    |
|   | Screw #6-32 6.5mm<br>x4          | Motherboard Stud<br>主機板螺柱        |
|   | Screw M3 5mm<br>x20              | Motherboard / SSD<br>主機板 / SSD   |
|   | Screw #6-32 6mm<br>六角螺絲<br>x6    | PSU / PCIe Card<br>電源供應器 / PCIe卡 |
|  | Screw #6-32 5mm<br>圓頭螺絲<br>x4    | 3.5" HDD<br>3.5" 硬碟              |

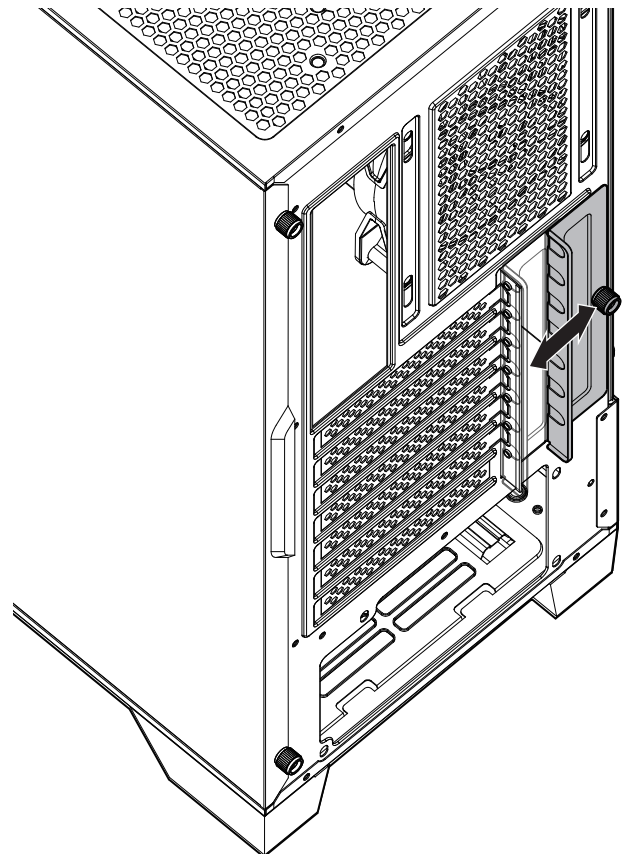
## SSD & HDD Installation/ SSD和硬碟安裝方式



## Specification / 產品規格

|                      | MAG FORGE 100M  | MAG FORGE 101M                                       | MAG FORGE 100R  |
|----------------------|---|--|---|
| Fan LED Controller   | 1 to 6 RGB Control Board  | 1 to 6 RGB Control Board                             | 1 to 6 ARGB Control Board                               |
| Pre-installed        | Front: 2x 120 mm RGB fans<br>Rear: 1x 120 mm black fan  | Front: 3x 120 mm RGB fans<br>Rear: 1x 120 mm RGB fan | Front: 2x 120 mm ARGB fans<br>Rear: 1x 120 mm black fan |
| Case Dimensions (mm) | 434(D) x 216(W) x 499(H)  |  |   |
| Motherboard Support  | ATX / Micro-ATX / Mini-ITX  |  |   |
| Drive Bays           | 2x 3.5" Included (Max 2, compatible with 2.5")<br>3x 2.5" Included (Max 3)  |  |   |
| IO Panel             | 1x LED switch button<br>2x USB 3.2 Gen1 Type A ports<br>1x Mic in jack<br>1x Audio out jack<br>1x Reset button<br>1x Power button                     |  |   |
| Clearance            | CPU Cooler Height: max 166 mm<br>Graphics Card Length: max 330 mm<br>PSU Length: Standard ATX 160 mm, max to 200 mm (without 3.5" HDD case installed) |  |   |
| Fan Support          | Front: Up to 3x 120 mm or 2x 140 mm<br>Top: Up to 2x 120 mm or 2x 140 mm<br>Rear: Up to 1x 120 mm   |  |   |
| Radiator Support     | Front: Up to 240 mm<br>Top: Up to 240 mm<br>Rear: Up to 120mm   |  |   |
| Material             | Left Side: Tempered Glass<br>Right Side: Metal<br>Front: Mesh<br>Top: Metal   |  |   |

## PCIe Card Installation/ PCIe卡安裝方式



Specifications are subject to change without notice.  
規格若有變更，恕不另行通知。