

## Mini Case supported devices:

- iPad Mini 1
- iPad Mini 2
- iPad Mini 3
- iPad Mini 4
- iPad Mini (2019)

## Midi Case supported devices:

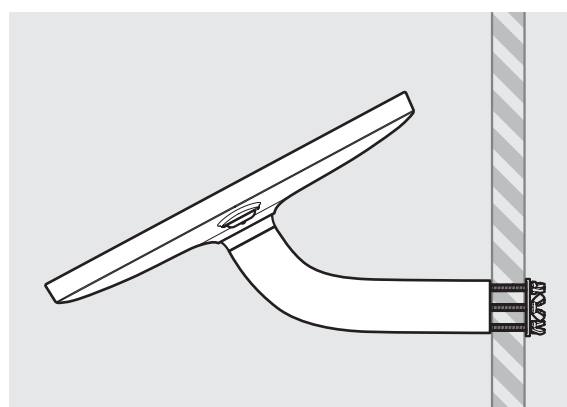
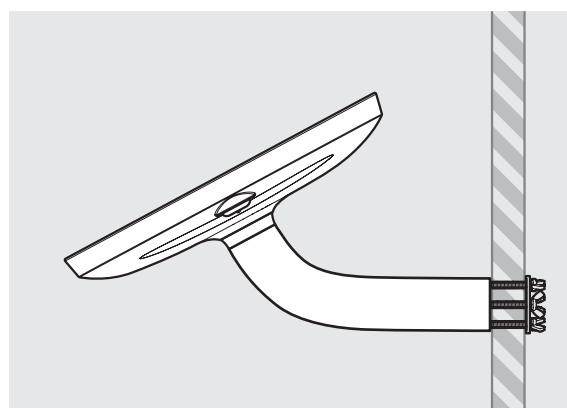
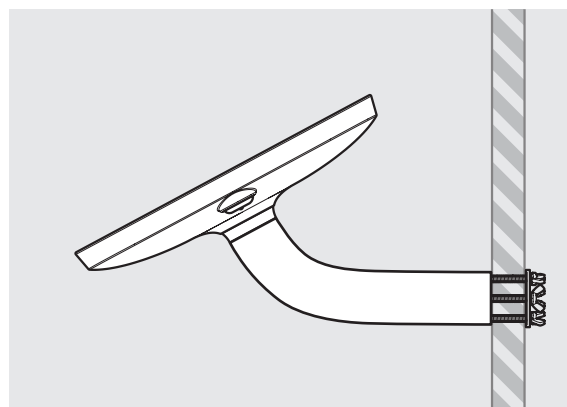
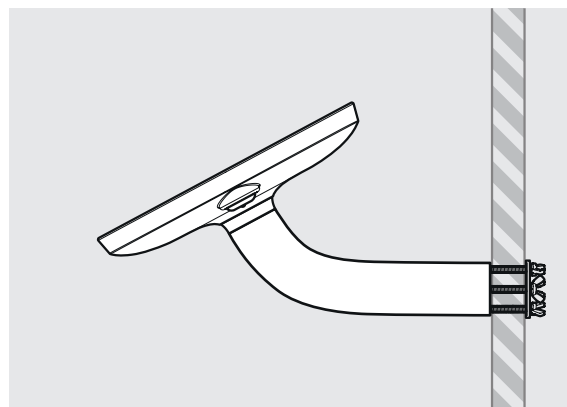
- iPad 6th Gen
  - iPad 5th Gen
  - iPad 4th Gen
  - iPad 3rd Gen
  - iPad Pro 9.7
  - iPad Air 1
  - iPad Air 2
  - Samsung Tab S2 9.7
  - Samsung Tab S3 9.7
  - Samsung Tab A 9.7
- \* Cable is not included for the Samsung Tab S3 9.7 Tablet

## Maxi Case supported devices:

- iPad Pro 10.5
  - iPad Pro 11.0
  - iPad Air (2019)
  - Samsung Tab A6 10.1
  - Samsung Tab A 10.1
  - Samsung Tab A 10.5
  - Samsung Tab 4 10.1
  - Microsoft Surface Go
- \* Cable is not included for the Apple iPad Pro 11.0 tablet.  
Cable is not included for the Microsoft Surface Go.

## Mega Case supported devices:

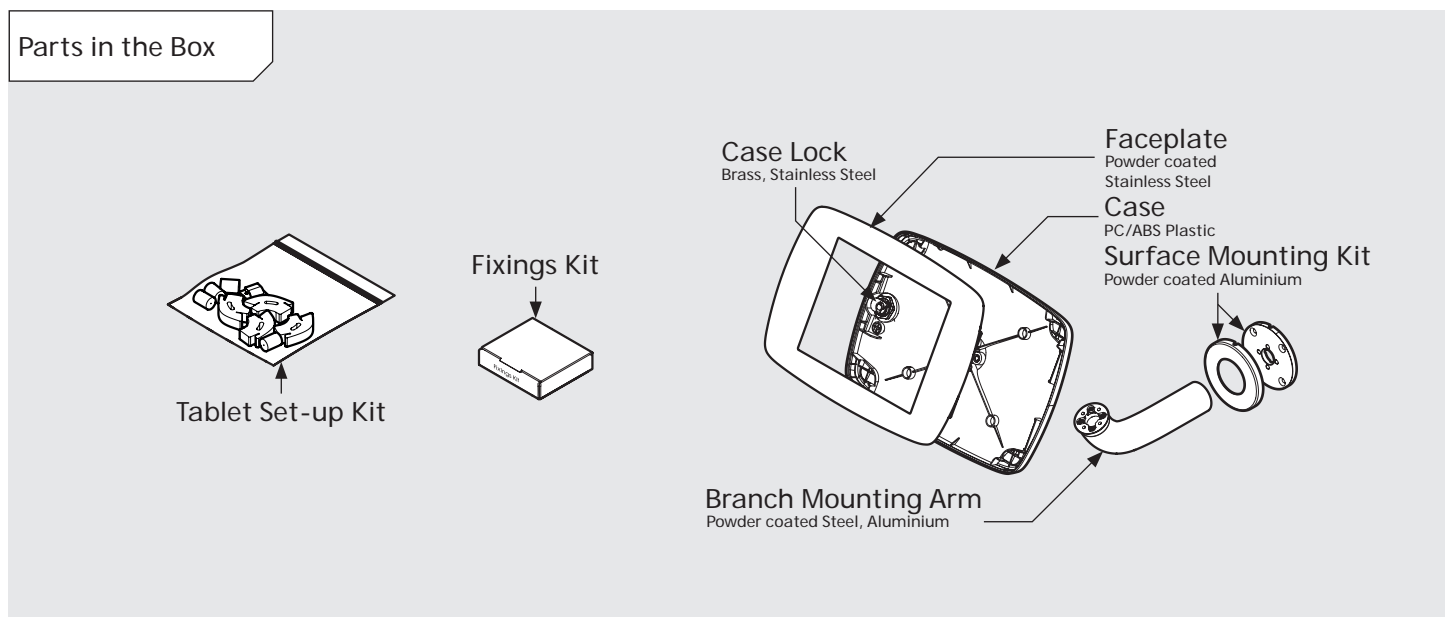
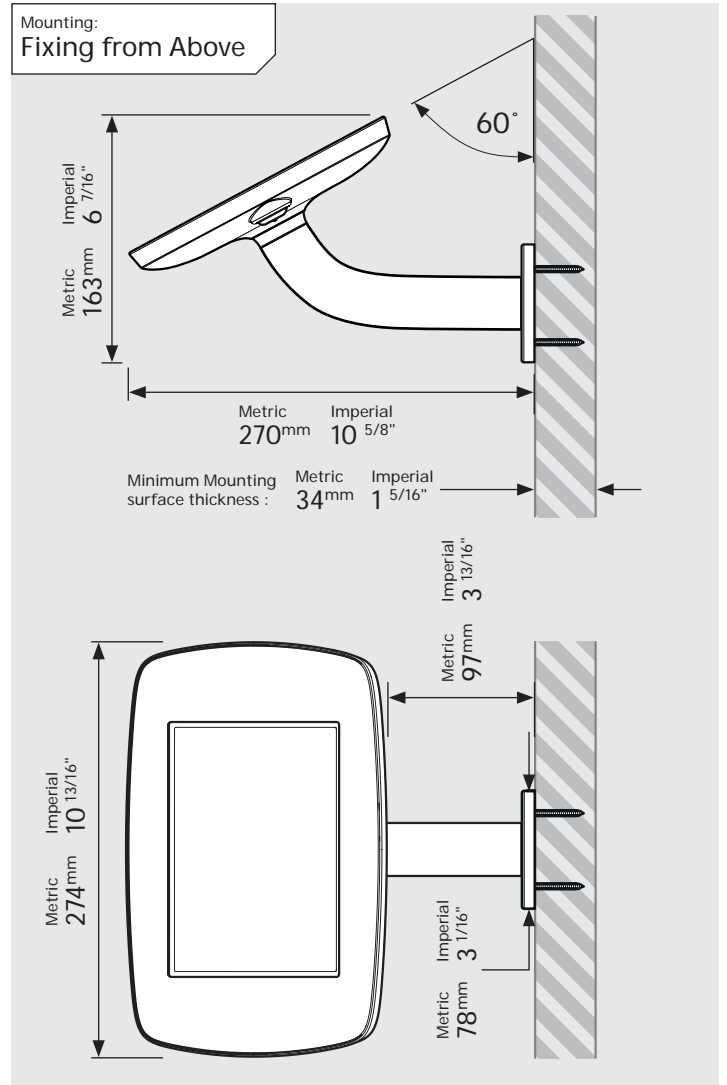
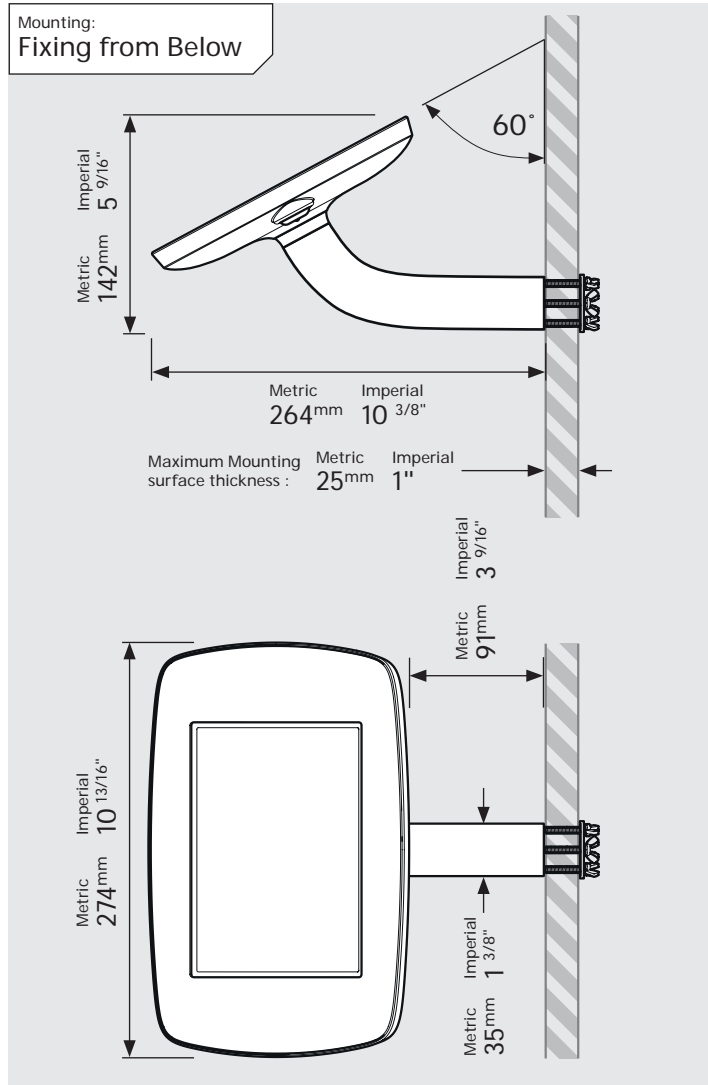
- iPad Pro 12.9" 1st Gen
  - iPad Pro 12.9" 2nd Gen
  - iPad Pro 12.9" 3rd Gen
  - Microsoft Surface Pro 4
  - Microsoft Surface Pro 5
- \* Cable is not included for the Surface Pro 4 or Surface Pro 5 Tablets.  
Cable is not included for the iPad Pro 12.9" 3rd Gen.



# PRODUCT DATA SHEET - BOUNCEPAD BRANCH



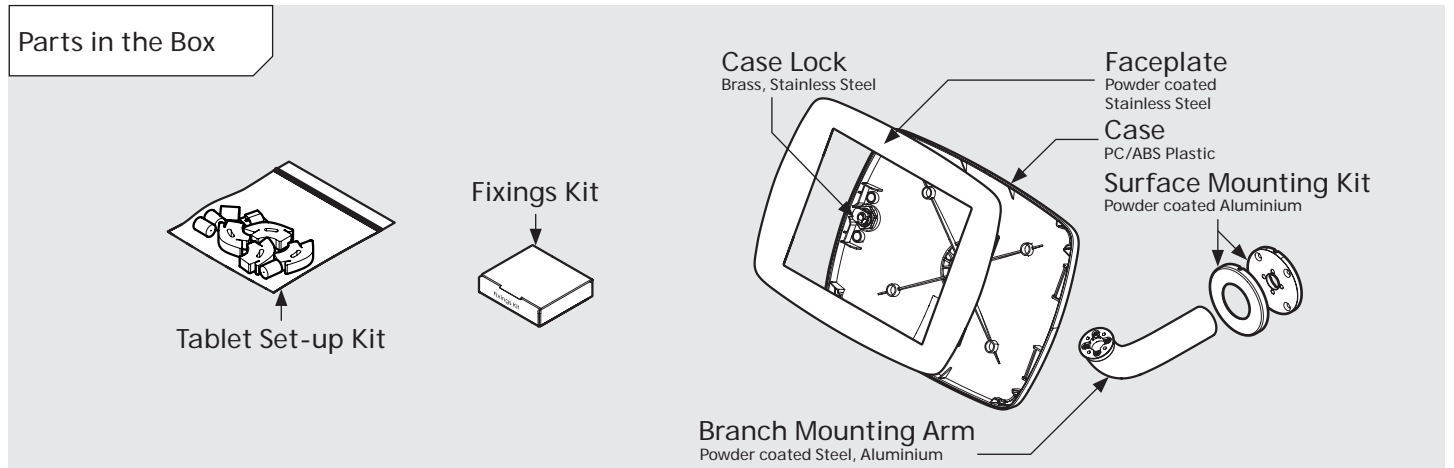
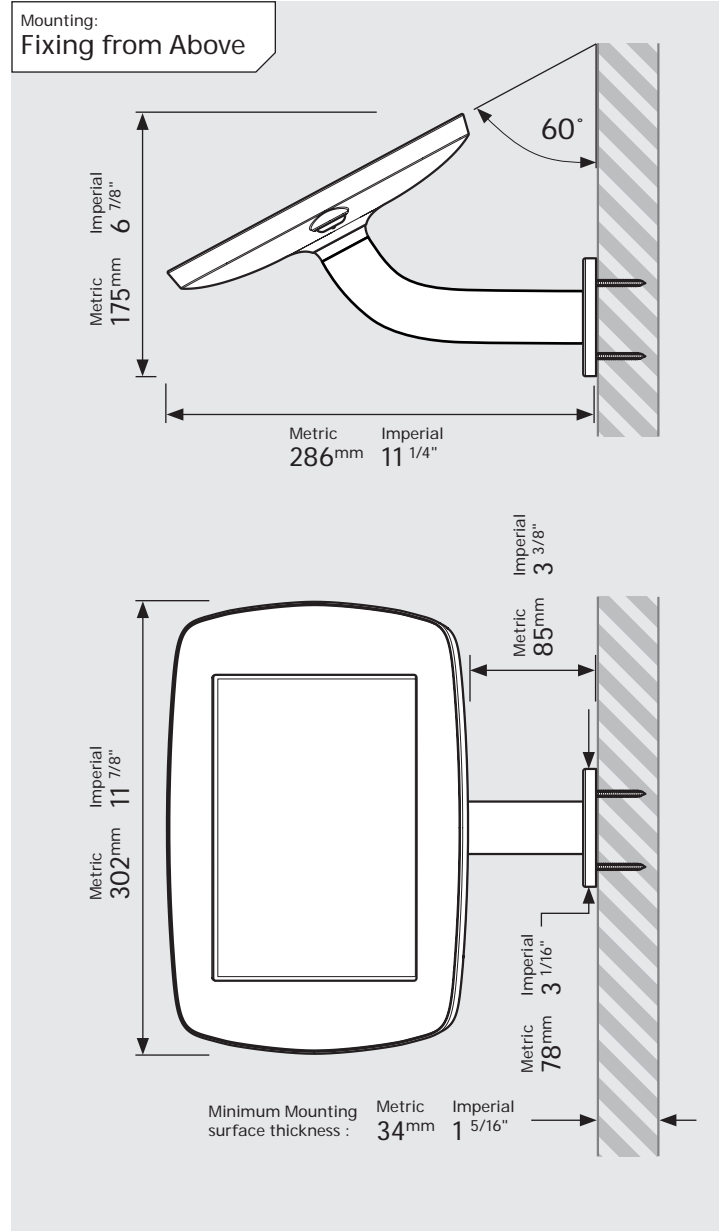
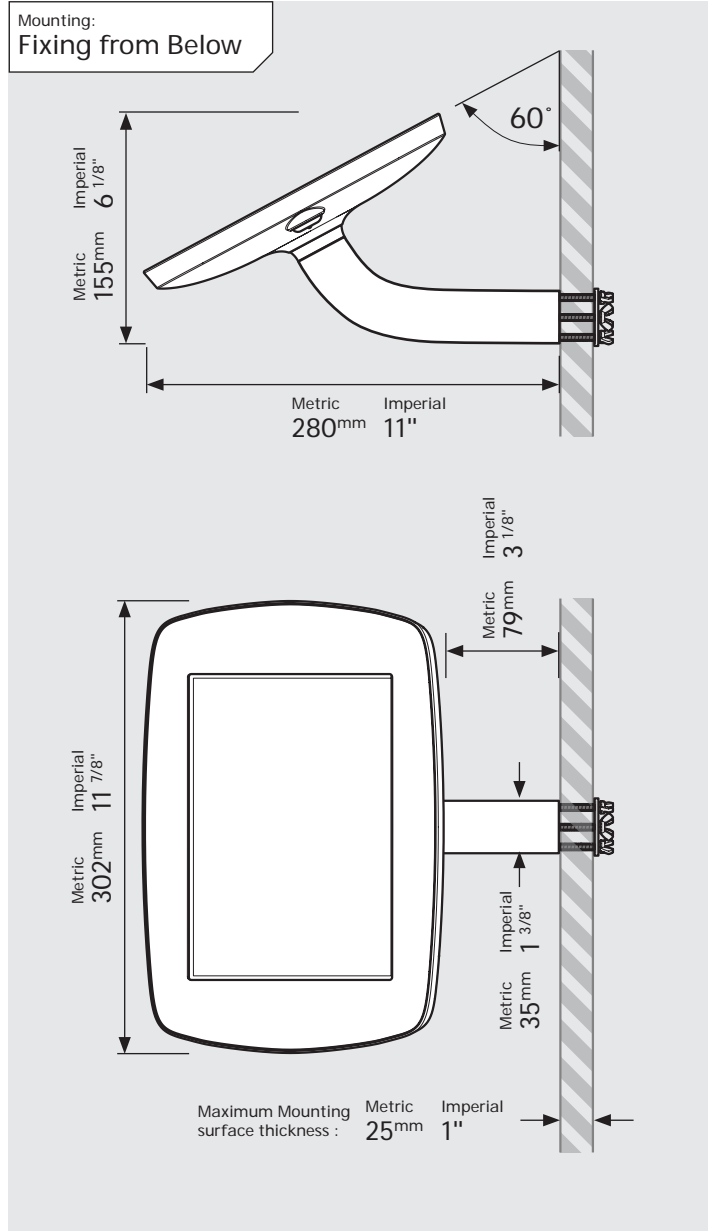
Case: Mini    Arm: Branch    Mounting: Fixing from Below  
 Fixing from Above    Packaged weight: 1.71kg    Colour: White  
 Black



# PRODUCT DATA SHEET - BOUNCEPAD BRANCH



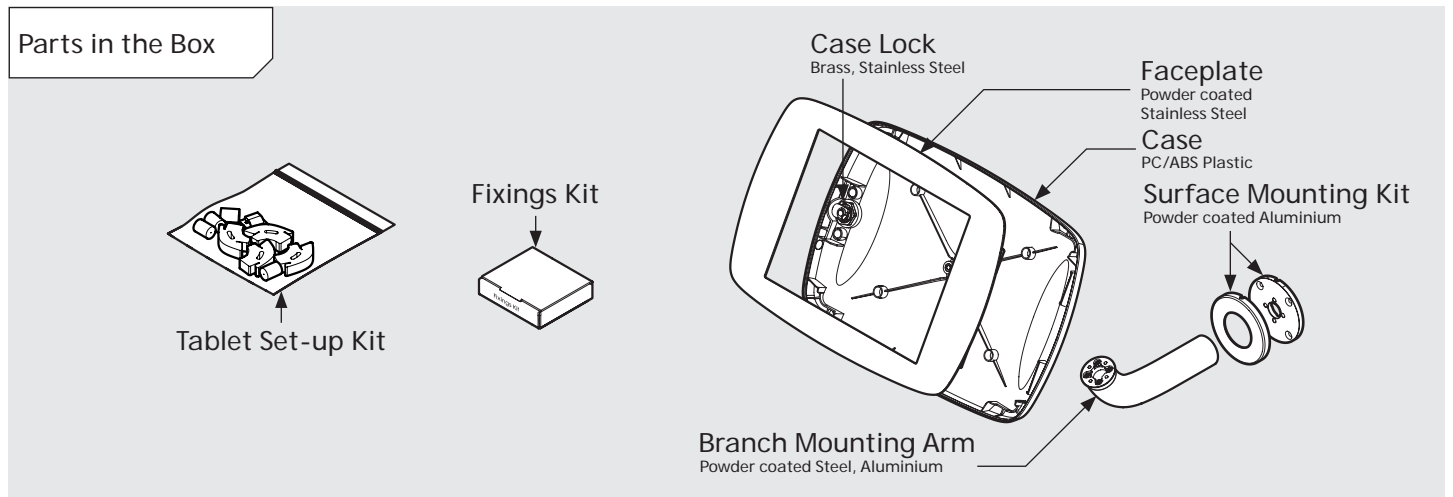
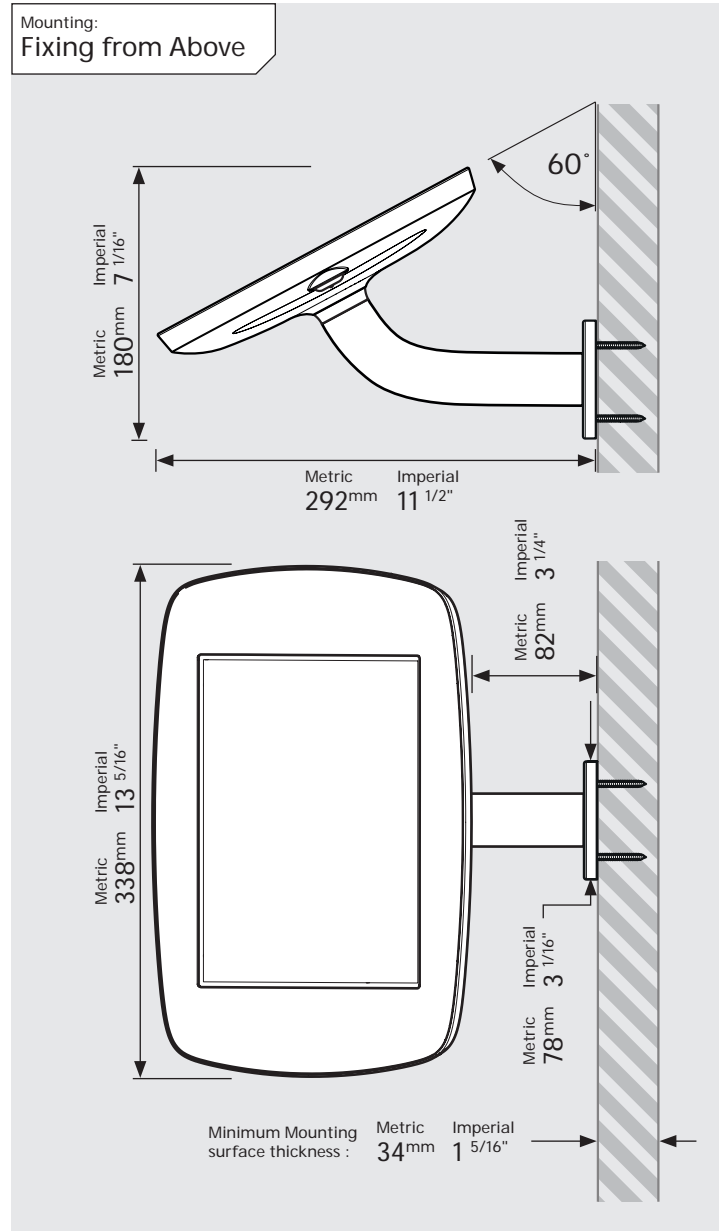
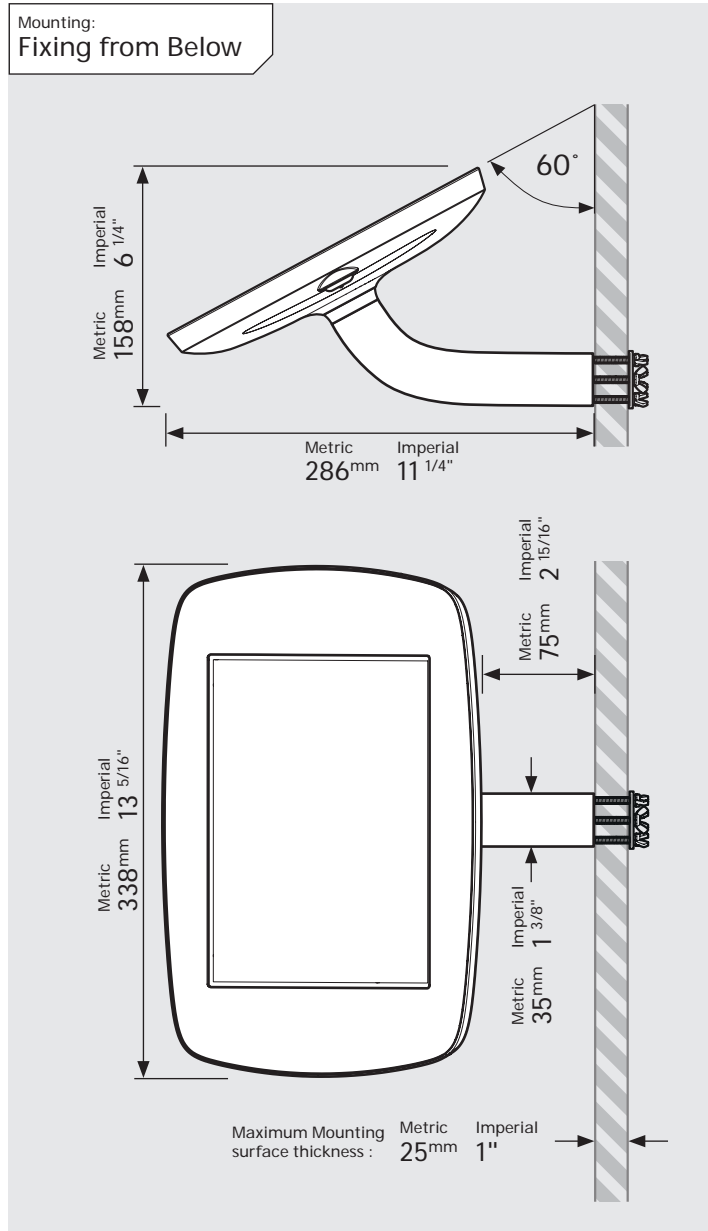
Case: Arm: Mounting: Packaged weight: Colour:  
 Midi Branch Fixing from Below 1.89kg White  
 Below  
 Fixing from Above Black



# PRODUCT DATA SHEET - BOUNCEPAD BRANCH



|              |             |                             |                         |                |
|--------------|-------------|-----------------------------|-------------------------|----------------|
| <b>Case:</b> | <b>Arm:</b> | <b>Mounting:</b>            | <b>Packaged weight:</b> | <b>Colour:</b> |
| Maxi         | Branch      | Fixing from<br><b>Below</b> | 2.12kg                  | White<br>Black |
|              |             | Fixing from<br><b>Above</b> |                         |                |



# PRODUCT DATA SHEET - BOUNCEPAD BRANCH



**Case:** Mega  
**Arm:** Branch  
**Mounting:** Fixing from Below  
**Packaged weight:** 2.51kg  
**Colour:** White  
 Black  
 Fixing from Above

