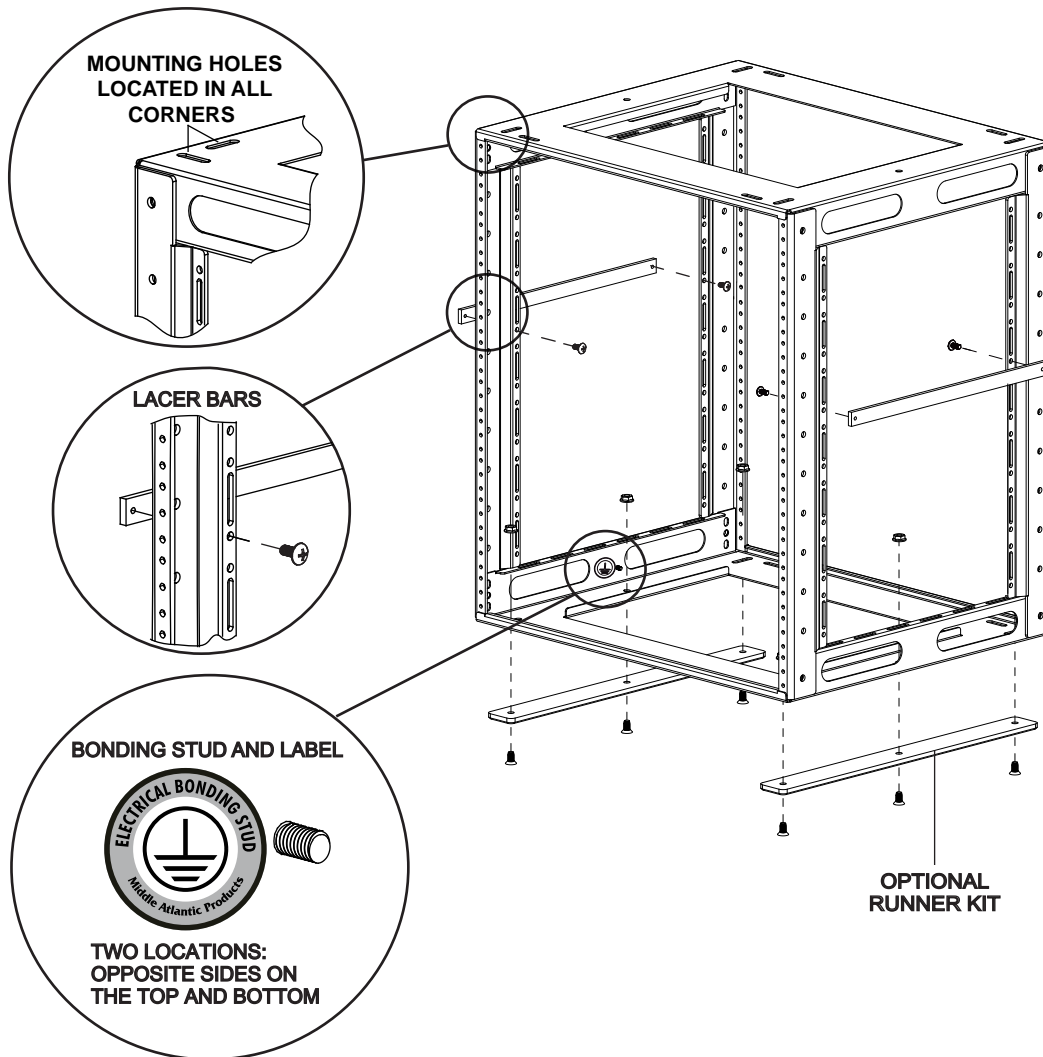


# Instruction Sheet

## CFR Series

### Cabinet Frame Rack



## THANK YOU

Thank you for purchasing a CFR Series Cabinet Frame Rack. Please read these instructions thoroughly before installing this product.

## PRODUCT FEATURES

- Slim profile optimized for mounting in cabinets
- Welded construction
- Includes two lacer bars

## AVAILABLE OPTIONS

- 5-RS16: Runner kit for 16" deep CFR
- 5-RS18: Runner kit for 18" deep CFR
- 5-RS20: Runner kit for 20" deep CFR
- 5-RS23: Runner kit for 23" deep CFR



Middle Atlantic Products

I-00330

Rev B

## SAVE ALL INSTRUCTIONS / CONSERVER CES INSTRUCTIONS



### DANGER HAZARDOUS VOLTAGE/DANGER HAUTE TENSION

The lightning flash with the arrowhead symbol, within an equilateral triangle is intended to alert the user to the presence of uninsulated dangerous voltage within the product's enclosure that may be of sufficient magnitude to constitute a risk of electric shock to persons.

L'éclair avec le symbole de flèche dans un triangle équilatéral est destiné à alerter l'utilisateur de la présence d'une tension dangereuse non isolée dans l'enceinte du produit qui peut être d'une ampleur suffisante pour constituer un risque de choc électrique pour les personnes.



**CAUTION/ATTENTION** The exclamation point within an equilateral triangle is intended to alert the user to the presence of important operating and maintenance (servicing) instructions in the literature accompanying the appliance.

Le point d'exclamation dans un triangle équilatéral est destiné à alerter l'utilisateur de la présence d'importants instructions d'opération et de maintenance (entretien) dans la documentation accompagnant l'appareil.



**WARNING:** Failure to read, understand and follow the following information can result in serious personal injury, damage to the equipment or voiding of the warranty.

**AVERTISSEMENT:** Ne pas lire, comprendre et suivre les informations suivantes peut entraîner des blessures graves, des dommages à l'équipement ou de la nullité de la garantie.



**CAUTION:** To avoid an unstable condition, place heavier components at the bottom of the enclosure. When more than one component is placed in the enclosure, begin at the bottom of the enclosure and place equipment at the lowest available point, evenly distribute weight (horizontally) within the enclosure.

Component weight should be distributed as follows:

- 1/2 of the total component weight (at a minimum) placed in the bottom third of the cabinet
- 1/4 of the total component weight (at a maximum) placed in the middle third of the cabinet
- 1/4 of the total component weight (at a maximum) placed in the top third of the cabinet

**ATTENTION:** Pour éviter un état instable, placez composants les plus lourds au fond de l'enceinte. Lorsque plus d'un composant est placé dans la enceinte, commencer par le bas de l'enceinte et placer l'équipement à la point le plus bas disponible, de distribuer uniformément le poids (horizontalement) dans le enceinte.

Le poids des composants devrait être réparti comme suit:

- 1/2 du poids total de la composante (au minimum) placé dans le tiers inférieur de l'armoire
- 1/4 du poids total de la composante (au maximum) placé dans le tiers médian de l'armoire
- 1/4 du poids total de la composante (au maximum) placé dans le tiers supérieur de l'armoire

## IMPORTANT SAFETY INSTRUCTIONS / INSTRUCTIONS IMPORTAANTES SUR LA SÉCURITÉ



**CAUTION:** All installation and assembly steps must be performed by qualified personnel.

**ATTENTION:** Toutes installation et de montage étapes doivent être effectuées par du personnel qualifié.



**CAUTION:** Ensure that the floor has a structural load capacity that will support the weight of the cabinet fully loaded with equipment.

**ATTENTION:** Veiller à ce que le sol a une capacité de charge structurelle qui supporter le poids de le cabinet entièrement chargé avec l'équipement .



**CAUTION:** Some parts of the enclosure system, such as the lacer bars, may not be effectively bonded to the Protective Earth Terminal (PET). If these parts need to be bonded to the PET it should be done in accordance with Article 250 of the National Electrical Code.

**ATTENTION:** Certaines parties du système d'enceinte, comme lacer bars, ne peut être efficacement liée à la Terre de protection Terminal (PET). Si ces pièces doivent être collées au PET, il devrait être fait conformément à l'article 250 du Code national de l'électricité.



**CAUTION:** Power cord(s), for fans or other accessories, need to be secured to ensure that they are routed away from pinch points and moving parts.

**ATTENTION:** Le cordon d'alimentation (s), pour les fans ou autres accessoires, doivent être fixé à veiller à ce que ils sont acheminés loin des points de pincement et des pièces mobiles.



**CAUTION:** Do not attempt to unload or move the enclosures alone. Make sure to have sufficient amount of personnel and equipment to safely move this product.

**ATTENTION:** Ne essayez pas de décharger ou déplacer les enceintes seul. Assurez-vous d'avoir quantité suffisante de personnel et de matériel pour déplacer ce produit en toute sécurité.

## **SPECIFICATIONS**

Height: 8-16 RU (each RU = 1.75")

Width: 19.25"

Depth: 16", 18", 20", and 23"

Load Rating: 250 lbs.

Added Weight (Loading): Total added weight should be distributed as follows:

- 1/2 of the total added weight (at a minimum) placed in the bottom third of the enclosure
- 1/4 of the total added weight (at a maximum) placed in the middle third of the enclosure
- 1/4 of the total added weight (at a maximum) placed in the top third of the enclosure



**Middle Atlantic Products**

what great systems are built on™

[middleatlantic.com](http://middleatlantic.com) ■ 800.266.7225

#### **WARRANTY**

Middle Atlantic Products (the "Company") warrants the CFR Series Cabinet Frame Rack to be free from defects in material or workmanship under normal use and conditions for the lifetime of the product.

The Company's entire liability to the purchaser, and the purchaser's (or any other party's) sole and exclusive remedy, under this warranty shall be limited, at the Company's option, to either (a) return of and refund of the price paid for, or (b) repair or replacement at the Company's factory of the products purchased, or any part or parts thereof, which the Company has determined to be defective after inspection thereof at the Company's factory.

This warranty does not cover damage due to acts of God, accident, misuse, abuse or negligence by parties other than the Company, or any modification or alteration of the products. In addition, this warranty does not cover damage due to improper handling, assembly, installation or maintenance.

THIS WARRANTY IS IN LIEU OF ALL OTHER WARRANTIES OF ANY KIND, EITHER EXPRESSED OR IMPLIED, INCLUDING, BUT NOT LIMITED TO, IMPLIED WARRANTIES OF MERCHANTABILITY AND FITNESS FOR A PARTICULAR PURPOSE.

TO THE MAXIMUM EXTENT PERMITTED BY APPLICABLE LAW, IN NO EVENT SHALL THE COMPANY BE LIABLE FOR ANY SPECIAL, INCIDENTAL, INDIRECT, OR CONSEQUENTIAL DAMAGES WHATSOEVER (INCLUDING, WITHOUT LIMITATION, DAMAGES FOR LOSS OF BUSINESS PROFITS, BUSINESS INTERRUPTION OR ANY OTHER PECUNIARY LOSS) ARISING OUT OF THE USE OF THE PRODUCTS PURCHASED, EVEN IF THE COMPANY HAS BEEN ADVISED OF THE POSSIBILITY OF SUCH DAMAGES. THE COMPANY'S LIABILITY TO THE PURCHASER (OR ANY OTHER PARTY) HEREUNDER, IF ANY, SHALL IN NO EVENT EXCEED THE PURCHASE PRICE OF THE PRODUCTS PAID TO THE COMPANY.

#### **Corporate Headquarters**

Corporate Voice 973-839-1011 - Fax 973-839-1976 / International Voice +1 973-839-8821 - Fax +1 973-839-4982  
[middleatlantic.com](http://middleatlantic.com) - [info@middleatlantic.com](mailto:info@middleatlantic.com)

#### **Middle Atlantic Canada**

Voice 613-836-2501 - Fax 613-836-2690 / [middleatlantic.ca](http://middleatlantic.ca) - [customerservicecanada@middleatlantic.ca](mailto:customerservicecanada@middleatlantic.ca)

#### **Factory Distribution**

USA: NJ - CA - IL Canada: ON - BC

**At Middle Atlantic Products we are always listening. Your comments are welcome.**

**Middle Atlantic Products is an ISO 9001 and ISO 14001 Registered Company.**