

## Embedded Solutions



### SD Cards

# Secure Digital

Built with top-quality MLC NAND Flash chips, Transcend's industrial Secure Digital Cards can endure operating temperatures from -25°C to 85°C; and set a new standard for consistent, long-term performance even in the harshest conditions.

## Features

- Compatible with Secure Digital Card standard
- Convenient compact size
- Easy to use, plug-and-play operation
- Built-in Error Correcting Code (ECC) to detect and correct transfer errors
- Exclusive RecoveRx photo recovery software

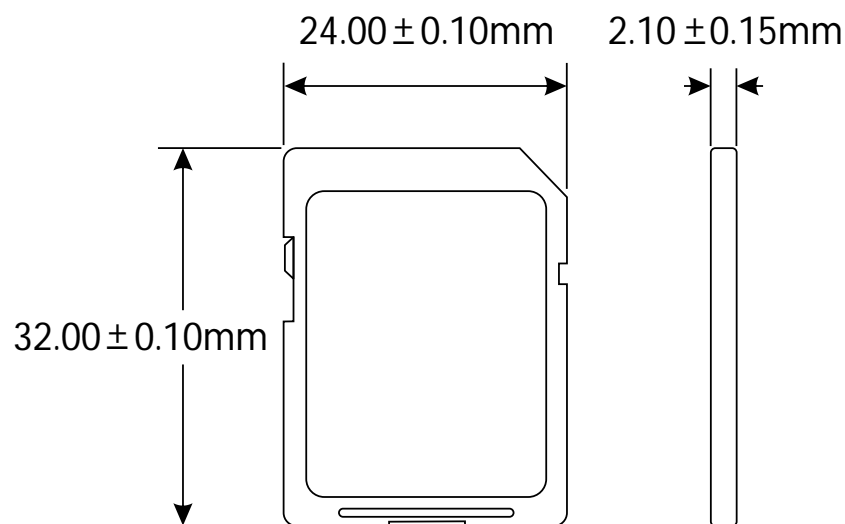
## Ordering Information

2GB	TS2GSDC	Five-year Limited Warranty
-----	---------	----------------------------

## Specifications

Appearance	Dimensions	32 mm x 24 mm x 2.1 mm (1.26" x 0.94" x 0.08")
	Weight	2 g (0.07 oz)
	Form Factor	SD flash card
Storage	Flash Type	MLC NAND flash
	Capacity	2 GB
Operating Environment	Operating Voltage	2.7V ~ 3.6V
	Drop Test	1.5m free fall
	Operating Temperature	-25°C (-13°F) ~ 85°C (185°F)
	Storage Temperature	-40°C (-40°F) ~ 85°C (185°F)
	Humidity	0% ~ 95%
Performance	Read Speed (Max.)	20 MB/s
	Write Speed (Max.)	13 MB/s
	Insertion/Removal Cycles	10,000
Warranty	Certificate	CE/FCC/BSMI
	Warranty	Five-year Limited Warranty
Note	• Speed may vary due to host hardware, software, usage, and storage capacity.	

## Mechanical Dimensions



Product specifications are subject to change without notice. Pictures shown may differ from actual products. Total accessible capacity varies depending on operating environment. Due to the complexity and variety of industrial applications, Transcend cannot guarantee 100% compatibility with all platforms and under all scenarios. For special applications and environments, it is strongly suggested that you contact Transcend beforehand for clarification.



Please feel free to contact us with any special requests you might have.  
 Tel: +886-2-2792-8000      [www.transcend-info.com](http://www.transcend-info.com)