



DATA SHEET

USB 2.0 A/B Cable Series

OVERVIEW

Just plug-and-play for keyboards, mice, modems, printers, and other USB peripherals. This cable provides a transfer rate up to 480 Mbps depending upon the peripheral's USB version, and easily attaches to any USB device. Foil and braid shielding reduces EMI/RFI interference and twisted pair construction helps reduce crosstalk thus ensuring high speed, error-free data transfer.

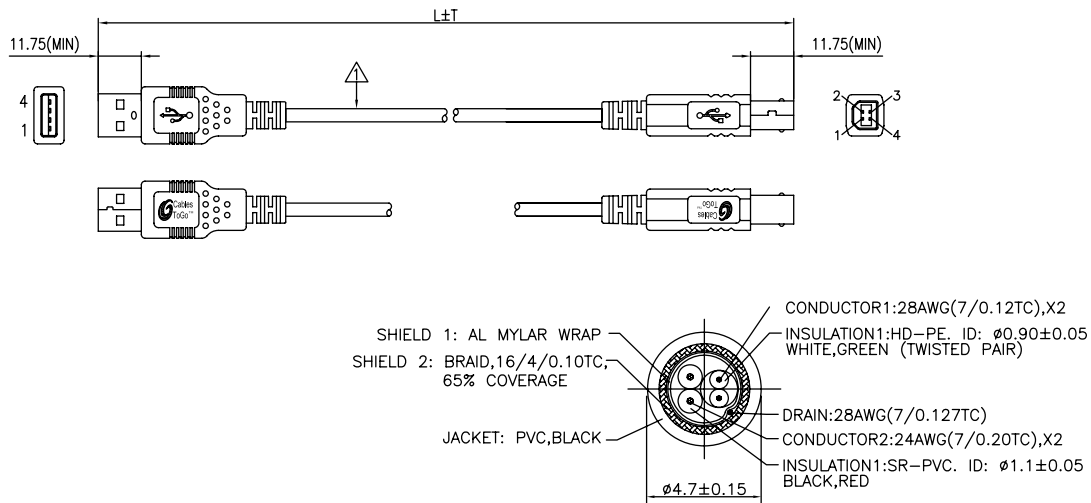
FEATURES

- Easily connect a USB Hub, Keyboard or Mouse to a computer
- Supports high speed USB 2.0 devices (480 Mbps), and is backwards compliant with full-speed USB 1.1 (12 Mbps) and low speed USB 1.0 (1.5 Mbps).
- PC and Mac[®] compatible
- Available in lengths up to 5m

US SKU	UK SKU	PRODUCT DESCRIPTION
28101	81565	3.3ft (1m) USB 2.0 A/B Cable - Black
28102	81566	6.6ft (1m) USB 2.0 A/B Cable - Black
28103	81567	9.8ft (1m) USB 2.0 A/B Cable - Black
28104	81568	16.4ft (1m) USB 2.0 A/B Cable - Black
13171	81560	3.3ft (1m) USB 2.0 A/B Cable - White
13172	81561	6.6ft (1m) USB 2.0 A/B Cable - White
13400	81562	9.8ft (1m) USB 2.0 A/B Cable - White
13401	81563	16.4ft (1m) USB 2.0 A/B Cable - White

PHYSICAL CHARACTERISTICS

- Connector 1: USB-A 2.0, Male, Gold Flash Plated, Nickel Plated Shell
- Connector 2: USB-B 2.0, Male, Gold Flash Plated, Nickel Plated Shell
- Hood: Molded
- Testing: 100% Electrical Test at 10 insulation resistance
- Jacket: PVC
- Conductor Size: 28AWG
- OD: 4.7mm±0.15
- Approvals: RoHS Compliant
- Warranty: Lifetime



SIMPLIFIED CONNECTIVITY

USA 800.506.9607 | legrandav.com | customer-service@c2g.com

EMEA +31 495 580 840 | legrandav.com | c2g.emea@av.legrand.com