



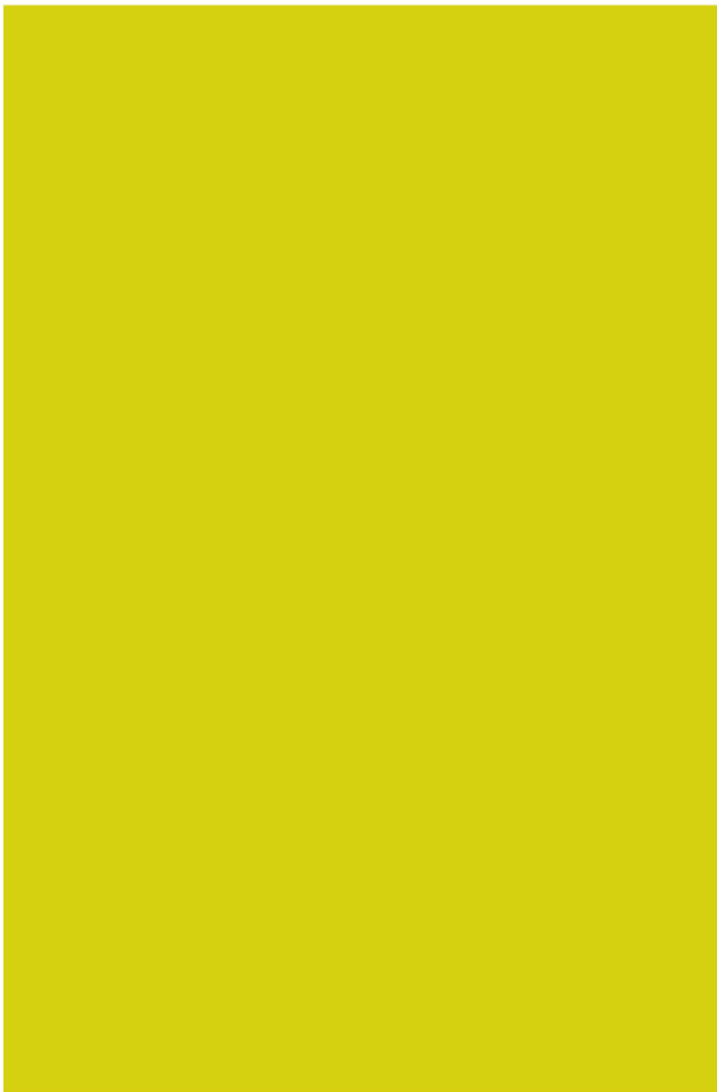
Desktop

**G-Series, 2824 Plus, HC100,
2824, 2844, 3842, 2824-Z, 2844-Z, 3844-Z,
R2844-Z**

Spare Parts Price List

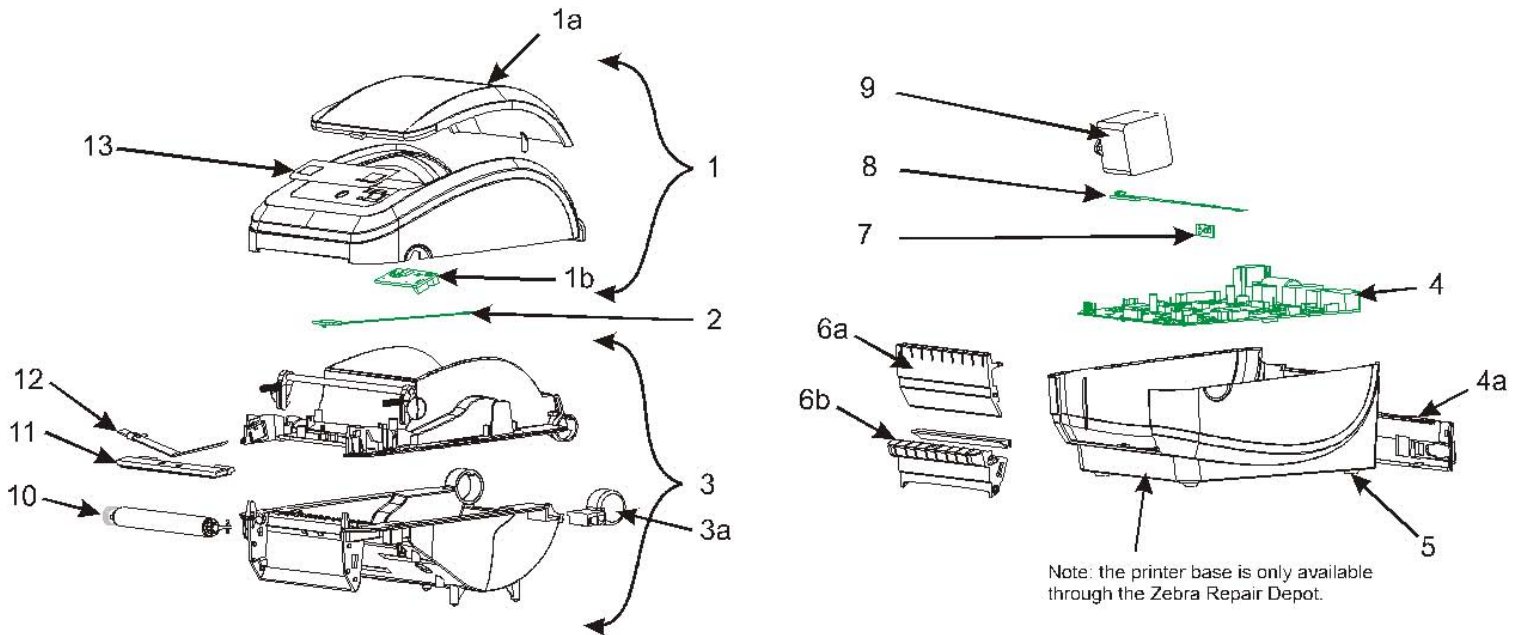
Valid from February 2010

For all customer outside the UK



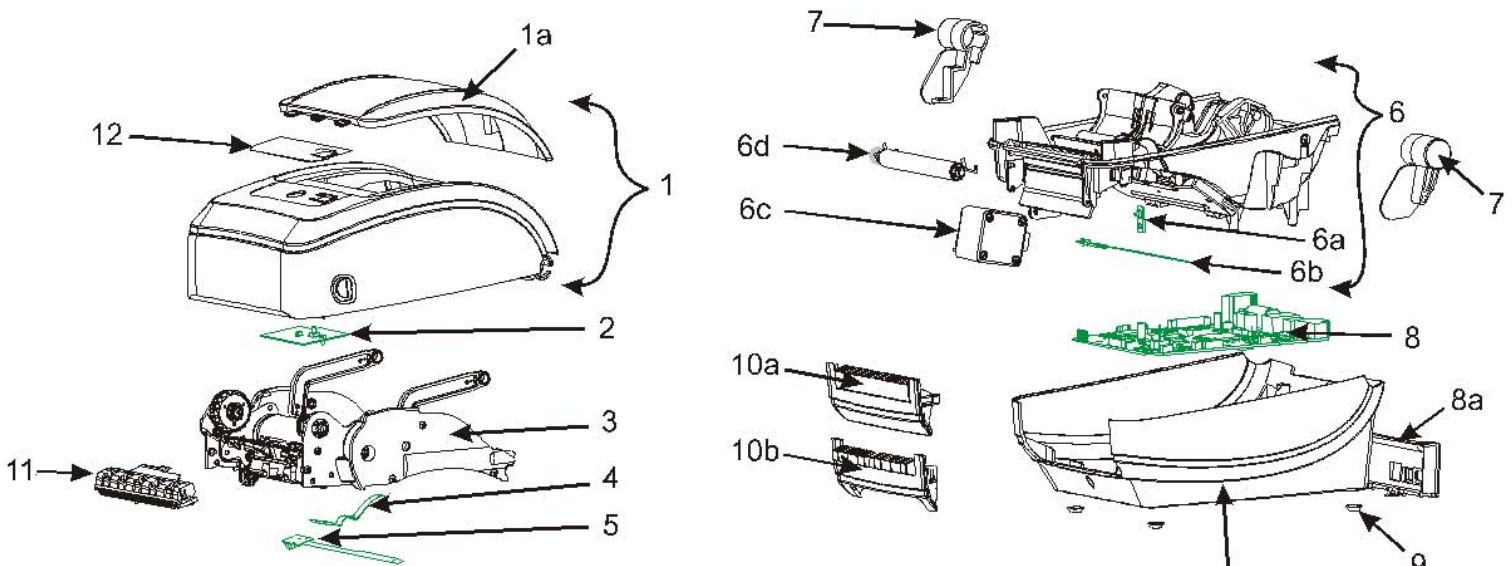
GK420d

Item Number	Description	Part Number	Kit Quantity	Price €
GK420d				
1	Cover Assembly (d) (includes Media Window)	105934-005	1	€ 21.00
1a	Media Window (d)	105934-001	1	€ 16.00
1b	Feed Switch (d)	105934-003	1	€ 13.00
2	Upper Gap Sensor, Fixed (d)	105934-007	1	€ 30.00
3	Print Mech. Fixed Sensor (d) (includes Hinge, Print Head Cables, Feed Switch Cable)	105934-011	1	€ 134.00
3a	Cover Hinge (d)	105934-047	1	€ 8.00
4	GK Main Logic Board, USB/Serial	105934-070	1	€ 192.00
4a	Back Panel, USB/Serial (d)	105934-071	1	€ 10.00
4	GK Main Logic Board, USB/Ethernet	105934-073	1	€ 292.00
4a	Back Panel, USB/Ethernet (d)	105934-074	1	€ 11.00
	Interface Fuse, 1A	105934-076	1	€ 9.00
5	Rubber Foot	105934-024	4	€ 7.00
6a	Front Bezel, Std (d)	105934-025	1	€ 9.00
6b	Front Bezel, Dispenser (d)	105934-026	1	€ 54.00
7	Head Up Sensor (d)	105934-041	1	€ 25.00
8	Gap/Blackline Sensor, Fixed (d)	105934-043	1	€ 23.00
9	Motor Assembly, 203 dpi	105934-022	1	€ 34.00
10	Platen, Std (d)	105934-034	1	€ 19.00
	Platen Bearings (d)	105934-059	1	€ 9.00
11	Printhead, 203 dpi (d)	105934-037	1	€ 105.00
12	Printhead Spring/Clip (d)	105934-040	1	€ 13.00
13	Nameplate, GK420d	105934-060	1	€ 7.00
<i>not shown</i>	Shipping Pack (d)	105934-050	1	€ 27.00
	Users CD-ROM	105934-052	1	€ 7.00
	Power Supply, 70W C13 with UK & Euro Cords	105934-053	1	€ 100.00
	Power Cord, 220V Euro C13	105950-015	5	€ 49.00
	Power Cord, 240V UK, C13	105950-030	5	€ 75.00



GK420t

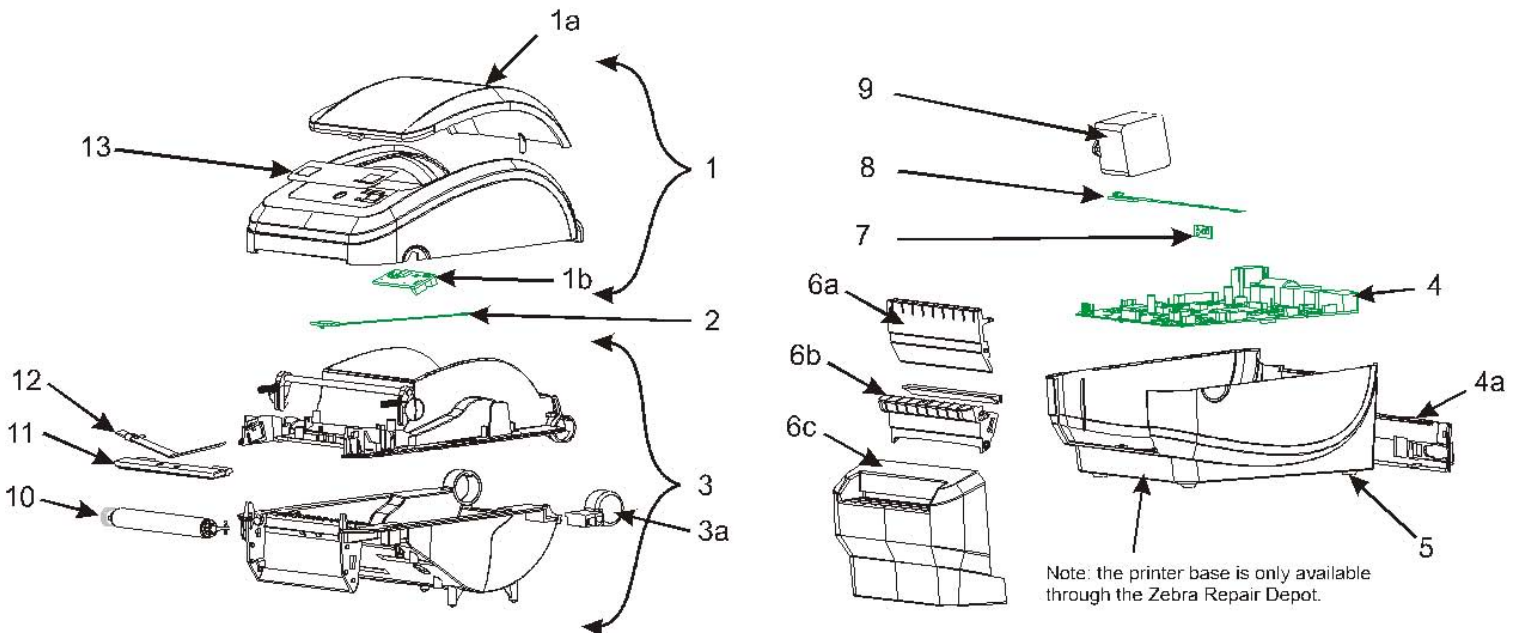
Item Number	Description	Part Number	Kit Quantity	Price €
GK420t				
1	Cover Assembly (t) (includes Media Window)	105934-006	1	€ 42.00
1a	Media Window (t)	105934-002	1	€ 18.00
2	Feed Switch (t)	105934-004	1	€ 13.00
3	Ribbon Carriage, 203 dpi	105934-017	1	€ 163.00
4	Upper Gap Sensor, Fixed (t)	105934-009	1	€ 24.00
5	Ribbon Out Sensor (t)	105934-046	1	€ 33.00
6	Print Mech. Fixed Sensor (t) inc. Gap/Blackline Snsr, Motor, Platen, Head Up Snsr	105934-111	1	€ 117.00
6b	Gap/Blackline Sensor, Fixed (t)	105934-045	1	€ 25.00
6a	Head Up Sensor (t)	105934-042	1	€ 25.00
6c	Motor Assembly, 203 dpi (t)	105934-058	1	€ 42.00
6d	Platen, Std (t)	105934-035	1	€ 14.00
	Platen Bearings (t)	105934-099	1	€ 9.00
7	Cover Hinge R&L (t)	105934-048	1	€ 13.00
8	GK Main Logic Board, USB/Serial	105934-070	1	€ 192.00
8a	Back Panel, USB/Serial (t)	105934-072	1	€ 10.00
8	GK Main Logic Board, USB/Ethernet	105934-073	1	€ 292.00
8a	Back Panel, USB/Ethernet (t)	105934-075	1	€ 11.00
	Interface Fuse, 1A	105934-076	1	€ 9.00
9	Rubber Foot	105934-024	4	€ 7.00
10a	Front Bezel, Std (t)	105934-030	1	€ 10.00
10b	Front Bezel, Dispenser (t)	105934-031	1	€ 40.00
11	Printhead, 203 dpi (t)	105934-038	1	€ 105.00
12	Nameplate, GK420t	105934-061	1	€ 7.00
<i>not shown</i>	Shipping Pack (t)	105934-051	1	€ 33.00
	Users CD-ROM	105934-052	1	€ 7.00
	Power Supply, 70W C13 with UK & Euro Cords	105934-053	1	€ 100.00
	Power Cord, 220V Euro C13	105950-015	5	€ 49.00
	Power Cord, 240V UK,C13	105950-030	5	€ 75.00



Note: the printer base is only available through the Zebra Repair Depot.

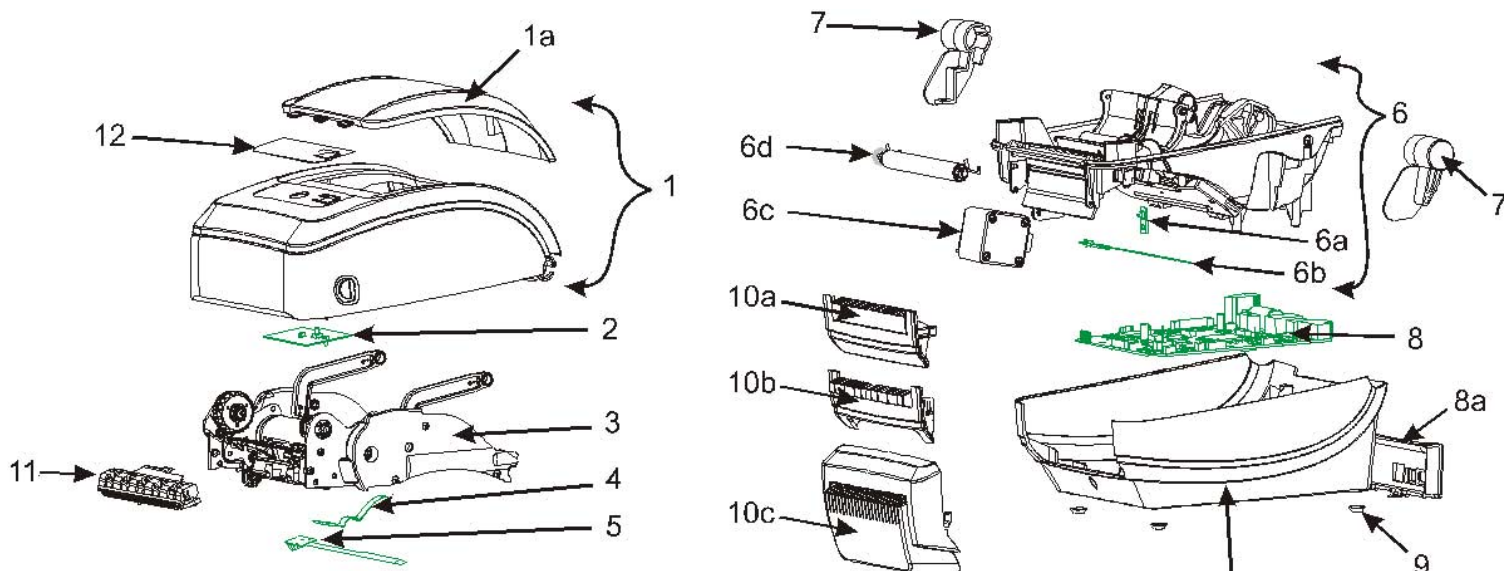
GX420d

Item Number	Description	Part Number	Kit Quantity	Price €
GX420d				
1	Cover Assembly (d) (includes Media Window)	105934-005	1	€ 21.00
	LCD Cover Assembly (d) (includes Media Window)	105934-049	1	€ 26.00
1a	Media Window (d)	105934-001	1	€ 16.00
1b	Feed Switch (d)	105934-003	1	€ 13.00
	LCD Display/Feed Switch (with Bluetooth Wireless)	105934-056	1	€ 121.00
	LCD Display/Feed Switch (with 802.11g Wireless)	105934-057	1	€ 83.00
2	Upper Gap Sensor, Fixed (d)	105934-007	1	€ 30.00
2	Upper Gap Sensor, Movable (d)	105934-008	1	€ 71.00
3	Print Mech. Fixed Sensor (d) (includes Hinge, Print Head Cables, Feed Switch Cable)	105934-011	1	€ 134.00
3	Print Mech. Movable Sensor (d) (includes Hinge, Print Head Cables, Feed Switch Cable)	105934-012	1	€ 221.00
3a	Cover Hinge (d)	105934-047	1	€ 8.00
4	GX Main Logic Board, USB/Serial/Parallel, ZBI	105934-080	1	€ 219.00
4	GX Main Logic Board, USB/Serial/Parallel, 64MB, RTC, ZBI	105934-081	1	€ 288.00
4	GX MLB, USB/Serial/Parallel, 64MB, RTC, 203 dpi, Liner Tag Cutter, ZBI	105934-107	1	€ 288.00
4a	Back Panel, USB/Serial/Parallel (Direct Thermal)	105934-082	1	€ 10.00
4	GX Main Logic Board, USB/Serial/Ethernet, ZBI	105934-084	1	€ 329.00
4	GX Main Logic Board, USB/Serial/Ethernet, 64MB, RTC, 203 dpi, ZBI	105934-113	1	€ 371.00
4	GX MLB, USB/Serial/Ethernet, 64MB, RTC, 203 dpi, Liner Tag Cutter, ZBI	105934-105	1	€ 371.00
4a	Back Panel, USB/Serial/Ethernet (Direct Thermal)	105934-086	1	€ 11.00
4	GX Main Logic Board, USB/Serial/802.11g Wireless 64MB, RTC, 203 dpi, ZBI	105934-114	1	€ 412.00
4	GX Main Logic Board, USB/Serial/Bluetooth Wireless 64MB, RTC, 203 dpi, ZBI	105934-115	1	€ 301.00
4	GX MLB, USB/Serial/802.11g Wireless, 64MB, RTC, 203 dpi, Liner Tag cutter, ZBI	105934-101	1	€ 412.00
4	GX MLB, USB/Serial/Bluetooth Wireless, 64MB, RTC, 203 dpi, Liner Tag Cutter, ZBI	105934-103	1	€ 301.00
4a	Back Panel, USB/Serial/Wireless (Direct Thermal)	105934-089	1	€ 13.00
	Interface Fuse, 1A	105934-076	1	€ 9.00
	Battery, 3V Lithium	G105950-003	10	€ 24.00
5	Rubber Foot	105934-024	4	€ 7.00
6a	Front Bezel, Std (d)	105934-025	1	€ 9.00
6b	Front Bezel, Dispenser (d)	105934-026	1	€ 54.00
6c	Medium Duty Cutter (d)	105934-029	1	€ 369.00
7	Head Up Sensor (d)	105934-041	1	€ 25.00
8	Gap/Blackline Sensor, Fixed (d)	105934-043	1	€ 23.00
8	Gap/Blackline Sensor, Moveable	105934-044	1	€ 92.00
9	Motor Assembly, 203 dpi	105934-022	1	€ 34.00
10	Platen, Std (d)	105934-034	1	€ 19.00
	Platen Bearings (d)	105934-059	1	€ 9.00
11	Printhead, 203 dpi (d)	105934-037	1	€ 105.00
12	Printhead Spring/Clip (d)	105934-040	1	€ 13.00
13	Nameplate, GX420d	105934-062	1	€ 7.00
	Nameplate, GX420d with LCD	105934-067	1	€ 12.00
<i>not shown</i>	Shipping Pack (d)	105934-050	1	€ 27.00
	Users CD-ROM	105934-052	1	€ 7.00
	Power Supply, 100W C13 with UK & Euro Cords	105934-054	1	€ 100.00
	Power Cord, 220V Euro C13	105950-015	5	€ 49.00
	Power Cord, 240V UK, C13	105950-030	5	€ 75.00



GX420t

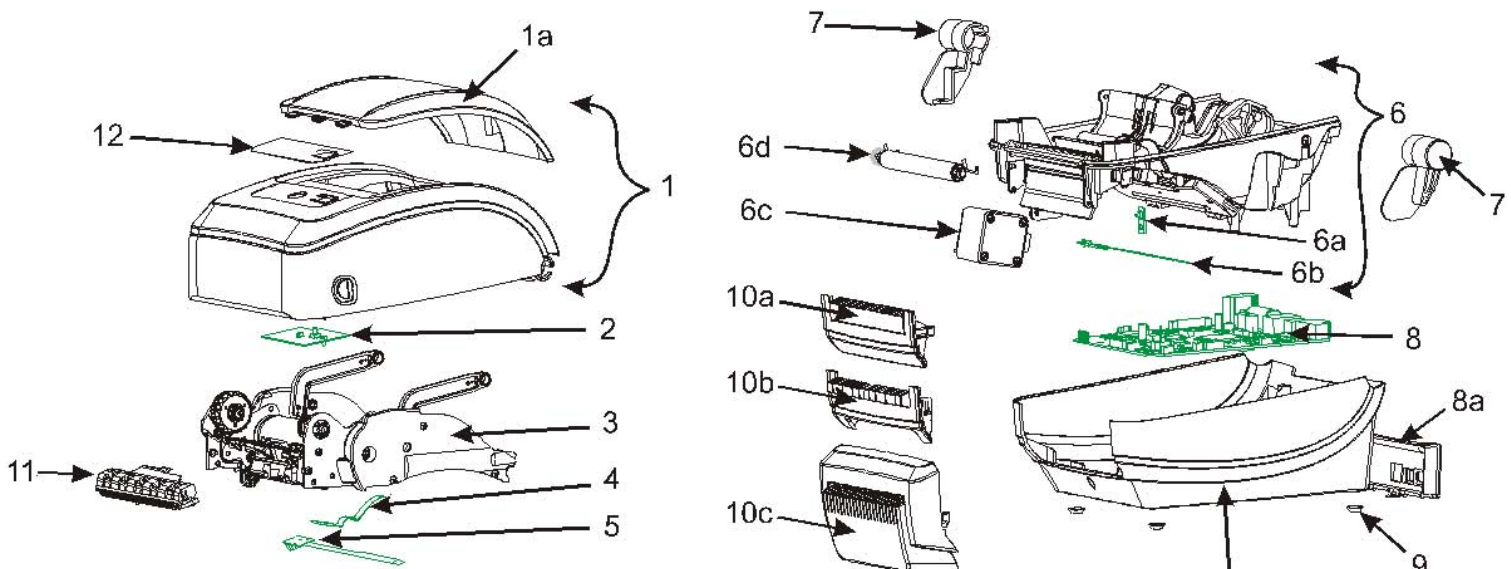
Item Number	Description	Part Number	Kit Quantity	Price €
GX420t				
1	Cover Assembly (t) (includes Media Window)	105934-006	1	€ 42.00
	LCD Cover Assembly (t) (includes Media Window)	Depot Only	1	N/A
1a	Media Window (t)	105934-002	1	€ 18.00
2	Feed Switch (t)	105934-004	1	€ 13.00
	LCD Display/Feed Switch (with Bluetooth Wireless)	105934-056	1	€ 121.00
	LCD Display/Feed Switch (with 802.11g Wireless)	105934-057	1	€ 83.00
3	Ribbon Carriage, 203 dpi	105934-017	1	€ 163.00
4	Upper Gap Sensor, Fixed (t)	105934-009	1	€ 24.00
	Upper Gap Sensor, Movable (t)	105934-010	1	€ 72.00
5	Ribbon Out Sensor (t)	105934-046	1	€ 33.00
6	Print Mech. Fixed Sensor (t) inc. Gap/Blackline Snsr, Motor, Platen, Head Up Snsr	105934-111	1	€ 117.00
6b	Gap/Blackline Sensor, Fixed (t)	105934-045	1	€ 25.00
6	Print Mech. Moveable Sensor (t) inc. Gap/Blackline Snsr, Motor, Platen, Head Up Snsr	105934-014	1	€ 184.00
6b	Gap/Blackline Sensor, Moveable	105934-044	1	€ 92.00
6a	Head Up Sensor (t)	105934-042	1	€ 25.00
6c	Motor Assembly, 203 dpi (t)	105934-058	1	€ 42.00
6d	Platen, Std (t)	105934-035	1	€ 14.00
	Platen Bearings (t)	105934-099	1	€ 9.00
7	Cover Hinge R&L (t)	105934-048	1	€ 13.00
8	GX Main Logic Board, USB/Serial/Parallel, ZBI	105934-080	1	€ 219.00
8	GX Main Logic Board, USB/Serial/Parallel, 64MB, RTC, ZBI	105934-081	1	€ 288.00
8	GX MLB, USB/Serial/Parallel, 64MB, RTC, 203 dpi, Liner Tag Cutter, ZBI	105934-107	1	€ 288.00
8a	Back Panel, USB/Serial/Parallel (Thermal Transfer)	105934-083	1	€ 10.00
8	GX Main Logic Board, USB/Serial/Ethernet, ZBI	105934-084	1	€ 329.00
8	GX Main Logic Board, USB/Serial/Ethernet, 64MB, RTC, 203 dpi, ZBI	105934-113	1	€ 371.00
8	GX MLB, USB/Serial/Ethernet, 64MB, RTC, 203 dpi, Liner Tag Cutter, ZBI	105934-105	1	€ 371.00
8a	Back Panel, USB/Serial/Ethernet (Thermal Transfer)	105934-087	1	€ 10.00
8	GX Main Logic Board, USB/Serial/802.11g Wireless 64MB, RTC, 203 dpi, ZBI	105934-114	1	€ 412.00
8	GX Main Logic Board, USB/Serial/Bluetooth Wireless 64MB, RTC, 203 dpi, ZBI	105934-115	1	€ 301.00
8	GX MLB, USB/Serial/802.11g Wireless, 64MB, RTC, 203 dpi, Liner Tag cutter, ZBI	105934-101	1	€ 412.00
8	GX MLB, USB/Serial/Bluetooth Wireless, 64MB, RTC, 203 dpi, Liner Tag Cutter, ZBI	105934-103	1	€ 301.00
8a	Back Panel, USB/Serial/Wireless (Thermal Transfer)	105934-090	1	€ 12.00
	Interface Fuse, 1A	105934-076	1	€ 9.00
	Battery, 3V Lithium	G105950-003	10	€ 24.00
9	Rubber Foot	105934-024	4	€ 7.00
10a	Front Bezel, Std (t)	105934-030	1	€ 10.00
10b	Front Bezel, Dispenser (t)	105934-031	1	€ 40.00
10c	Medium Duty Cutter (t)	105934-033	1	€ 338.00
11	Printhead, 203 dpi (t)	105934-038	1	€ 105.00
12	Nameplate, GX420t	105934-063	1	€ 7.00
	Nameplate, GX420t with LCD	105934-068	1	€ 12.00
<i>not shown</i>	Shipping Pack (t)	105934-051	1	€ 33.00
	Users CD-ROM	105934-052	1	€ 7.00
	Power Supply, 100W C13 with UK & Euro Cords	105934-054	1	€ 100.00
	Power Cord, 220V Euro C13	105950-015	5	€ 49.00
	Power Cord, 240V UK, C13	105950-030	5	€ 75.00



Note: the printer base is only available through the Zebra Repair Depot.

GX430t

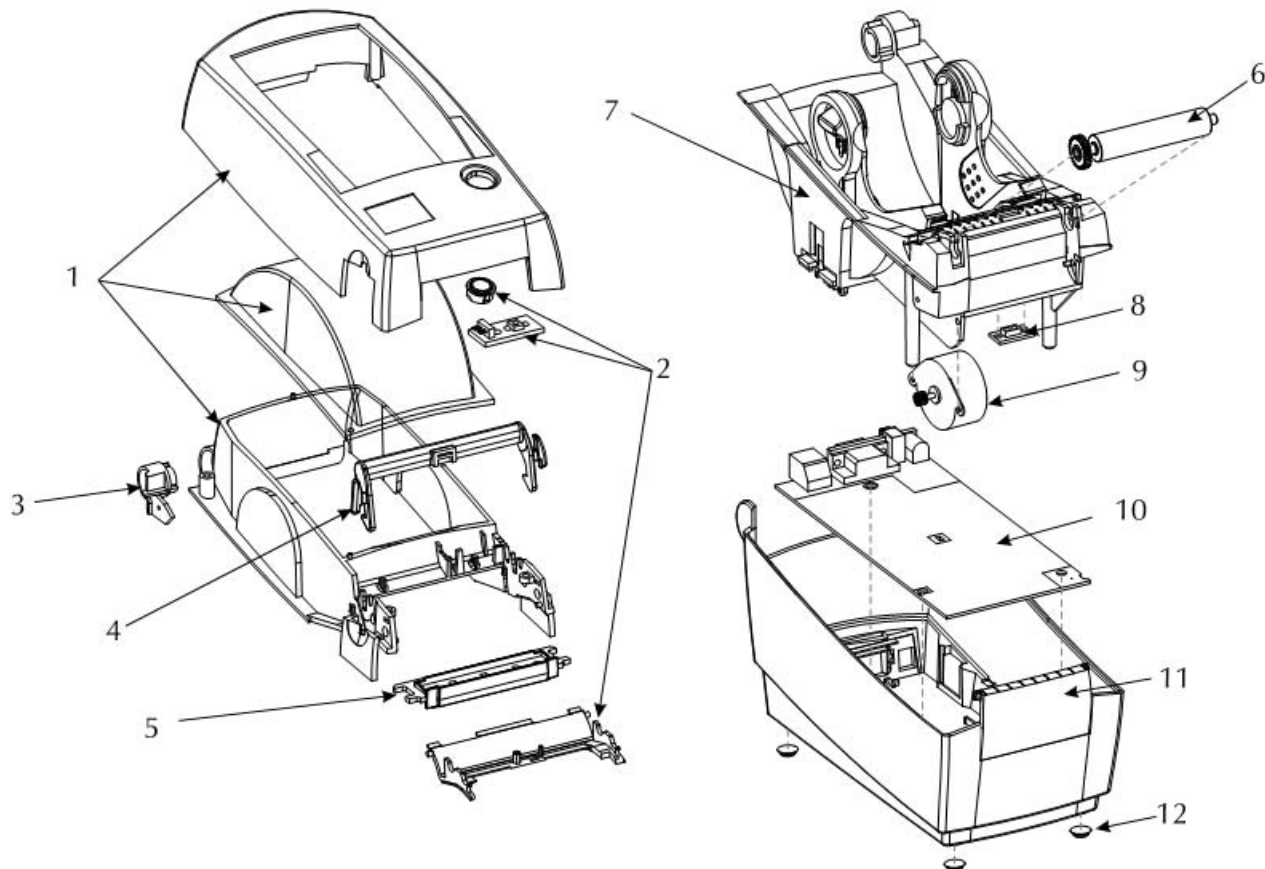
Item Number	Description	Part Number	Kit Quantity	Price €
GX430t				
1	Cover Assembly (t) (includes Media Window)	105934-006	1	€ 42.00
	LCD Cover Assembly (t) (includes Media Window)	Depot Only	1	N/A
1a	Media Window (t)	105934-002	1	€ 18.00
2	Feed Switch (t)	105934-004	1	€ 13.00
	LCD Display/Feed Switch (with Bluetooth Wireless)	105934-056	1	€ 121.00
	LCD Display/Feed Switch (with 802.11g Wireless)	105934-057	1	€ 83.00
3	Ribbon Carriage, 300 dpi	105934-018	1	€ 271.00
4	Upper Gap Sensor, Fixed (t)	105934-009	1	€ 24.00
	Upper Gap Sensor, Movable (t)	105934-010	1	€ 72.00
5	Ribbon Out Sensor (t)	105934-046	1	€ 33.00
6	Print Mech. Fixed Sensor, 300 dpi (t) inc. Gap/Blackline Snsr, Motor, Platen, Head Up Snsr	105934-112	1	€ 125.00
6b	Gap/Blackline Sensor, Fixed (t)	105934-045	1	€ 25.00
6	Print Mech. Moveable Sensor, 300 dpi (t) inc. Gap/Blackline Snsr, Motor, Platen, Head Up Snsr	105934-016	1	€ 192.00
6b	Gap/Blackline Sensor, Moveable	105934-044	1	€ 92.00
6a	Head Up Sensor (t)	105934-042	1	€ 25.00
6c	Motor Assembly, 300 dpi	105934-023	1	€ 42.00
6d	Platen, Std (t)	105934-035	1	€ 14.00
	Platen Bearings (t)	105934-099	1	€ 9.00
7	Cover Hinge R&L (t)	105934-048	1	€ 13.00
8	GX Main Logic Board, USB/Serial/Parallel, 300 dpi, ZBI	105934-093	1	€ 219.00
8	GX Main Logic Board, USB/Serial/Parallel, 64MB, RTC, 300 dpi, ZBI	105934-094	1	€ 288.00
8a	GX MLB, USB/Serial/Parallel, 64MB, RTC, 300 dpi, Liner Tag Cutter, ZBI	105934-106	1	€ 288.00
8	Back Panel, USB/Serial/Parallel (Thermal Transfer)	105934-083	1	€ 10.00
8	GX Main Logic Board, USB/Serial/Ethernet, 300 dpi, ZBI	105934-095	1	€ 329.00
8a	GX Main Logic Board, USB/Serial/Ethernet, 64MB, RTC, 300 dpi, ZBI	105934-096	1	€ 371.00
8	GX MLB, USB/Serial/Ethernet, 64MB, RTC, 300 dpi, Liner Tag Cutter, ZBI	105934-104	1	€ 371.00
8	Back Panel, USB/Serial/Ethernet (Thermal Transfer)	105934-087	1	€ 10.00
	GX Main Logic Board, USB/Serial/802.11g Wireless, 64MB, RTC, 300 dpi, ZBI	105934-097	1	€ 412.00
	GX Main Logic Board, USB/Serial/Bluetooth Wireless, 64MB, RTC, 300 dpi, ZBI	105934-098	1	€ 301.00
	GX MLB, USB/Serial/802.11g Wireless, 64MB, RTC, 300 dpi, Liner Tag Cutter, ZBI	105934-100	1	€ 412.00
	GX MLB, USB/Serial/Bluetooth Wireless, 64MB, RTC, 300 dpi, Liner Tag Cutter, ZBI	105934-102	1	€ 301.00
8a	Back Panel, USB/Serial/Wireless (t)	105934-090	1	€ 12.00
	Interface Fuse, 1A	105934-076	1	€ 9.00
	Battery, 3V Lithium	G105950-003	10	€ 24.00
9	Rubber Foot	105934-024	4	€ 7.00
10a	Front Bezel, Std (t)	105934-030	1	€ 10.00
10b	Front Bezel, Dispenser (t)	105934-031	1	€ 40.00
10c	Medium Duty Cutter (t)	105934-033	1	€ 338.00
11	Printhead, 300 dpi (t)	105934-039	1	€ 214.00
12	Nameplate, GX430t	105934-064	1	€ 7.00
	Nameplate, GX430t with LCD	105934-069	1	€ 12.00
<i>not shown</i>	Shipping Pack (t)	105934-051	1	€ 33.00
	Users CD-ROM	105934-052	1	€ 7.00
	Power Supply, 100W C13 with UK & Euro Cords	105934-054	1	€ 100.00
	Power Cord, 220V Euro C13	105950-015	5	€ 49.00
	Power Cord, 240V UK, C13	105950-030	5	€ 75.00



Note: the printer base is only available through the Zebra Repair Depot.

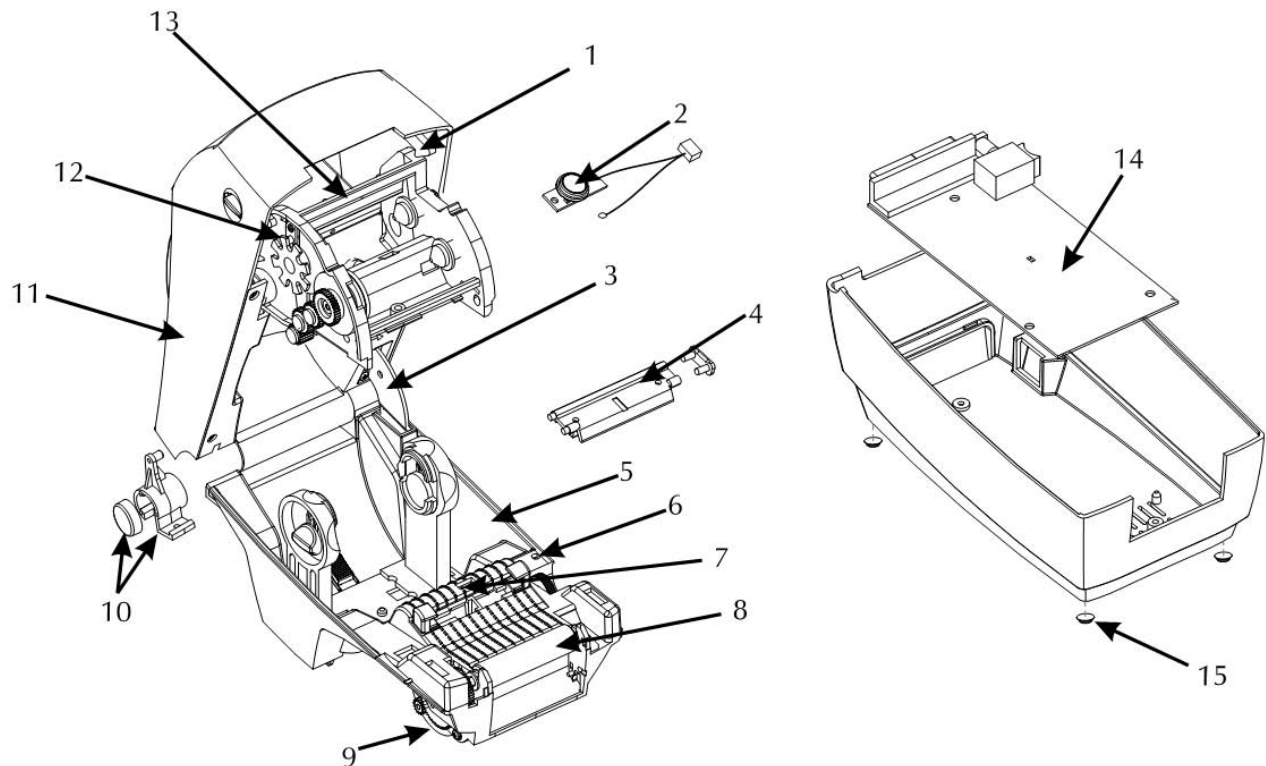
LP2824 Plus

Item Number	Description	Part Number	Kit Quantity	Price €
LP2824 Plus				
1	Housing Cover Assembly	P1012845-001	1	€ 83.00
2	Feed Switch/Sensor Assembly	G105910-145	1	€ 39.00
3	Cover Hinge	G105910-179	10	€ 19.00
4	Latch Assembly	105910-178	1	€ 15.00
5	Printhead Assembly, LP2824 (203 dpi)	G105910-102	1	€ 85.00
6	Platen, LP2824 Std.	105910-107	1	€ 34.00
	Platen, LinerFree	105910-106	1	€ 39.31
7	Frame Assembly w/o Platen	G105910-112	1	€ 64.00
	Head Up Sensor	P1012845-003	1	€ 28.00
8	Gap/Blackline Sensor PCBA	P1012845-002	3	€ 45.00
9	Motor, Assembly	G105910-108	1	€ 28.00
10	Main Control PCBA, std. Ser./USB	P1012845-018	1	€ 170.00
	Main Control PCBA, Ser./USB/Cutter	P1012845-019	1	€ 243.00
	Main Control PCBA, std. Par.	P1012845-020	1	€ 170.00
	Main Control PCBA, Par. /Cutter	P1012845-021	1	€ 243.00
	Main Control PCBA, std. USB/Ethernet	P1012845-022	1	€ 231.00
	Main Control PCBA, USB/Ethernet/Cutter	P1012845-023	1	€ 300.00
	Main Control PCBA, Ser./USB/XMEM	P1112845-024	1	€ 211.00
	Main Control PCBA, Ser./USB/Cutter/XMEM	P1012845-025	1	€ 283.00
	Main Control PCBA, Par. /XMEM	P1012845-026	1	€ 206.00
	Main Control PCBA, Par. /Cutter/XMEM	P1012845-027	1	€ 279.00
	Main Control PCBA, USB/Ethernet/XMEM	P1012845-028	1	€ 259.00
	Main Control PCBA, USB/Ethernet/Cutter/XMEM	P1012845-029	1	€ 324.00
	Real Time Clock Battery	P1012845-009	1	€ 8.00
	Real Time Clock / Date PCBA	P1012845-010	1	€ 81.00
11	Front Bezel, LP2824	105910-164	3	€ 18.00
12	Rubber Foot Kit	105910-007	24	€ 10.00
<i>not shown</i>	Dispenser Option	P1012845-004	1	€ 62.00
	Cutter Replacement Kit, LP2824 Plus	P1012845-007	1	€ 247.00
	Shipping Pack LP2824 Plus	P1012845-005	1	€ 16.00
	CD-ROM, Desktop Printers Software & Documentation	P1012845-008	1	€ 12.00
	CD-ROM, Service Documentation	P1012845-012	1	A/R
	Power Supply, 100V-240V (C5) with UK & EUR Cords	105950-076	1	€ 93.00
	Power Cord, Euro 220V, IEC320C5	105950-062	5	€ 49.00
	Power Cord, U.K. 240V, IEC320C5	105950-063	5	€ 89.00



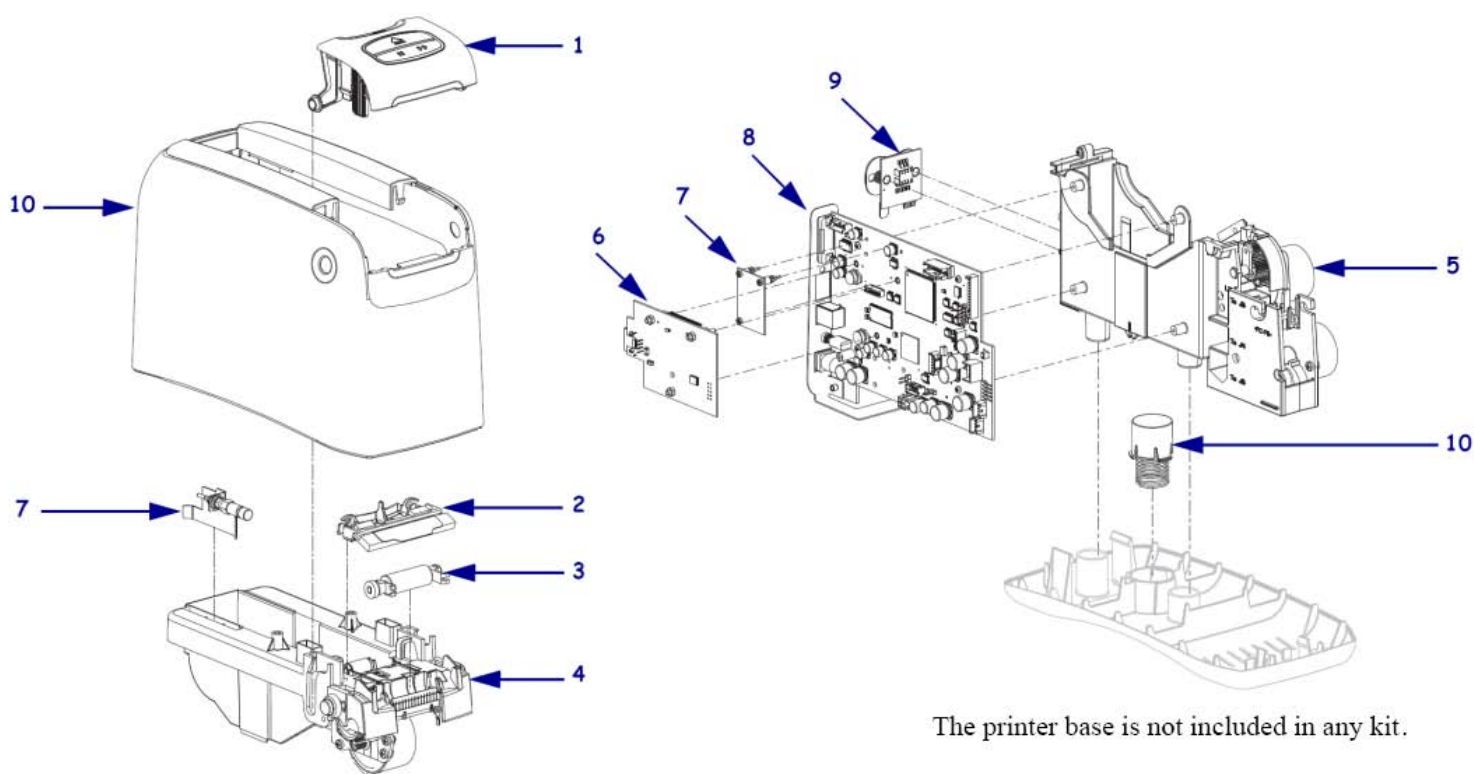
TLP2824 Plus

Item Number	Description	Part Number	Kit Quantity	Price €
TLP2824 Plus				
1	Latch Assembly	G105910-146	1	€ 24.57
2	Feed Switch/Sensor Assembly	G105910-064	3	€ 49.14
3	Upper Cover Support	G105910-147	1	€ 29.48
4	Printhead Assembly, TLP2824 (203 dpi)	G105910-148	1	€ 85.00
5	Lower Frame Assembly w/o Platen	P1012845-013	1	€ 87.00
6	Head Up Sensor	P1012845-003	1	€ 28.00
7	Gap/Blackline Sensor PCBA	P1012845-002	3	€ 45.00
8	Platen, TLP2824 Std.	105910-150	1	€ 34.40
9	Motor	G105910-051	2	€ 51.10
10	Cover Hinge	G105910-180	10	€ 25.00
11	Upper Cover Assembly	P1012845-014	1	€ 36.00
12	Ribbon Out Sensor	G105910-067	3	€ 52.09
13	Ribbon Carriage w/o Print Head	P1012845-015	1	€ 97.00
14	Main Control PCBA, std. Ser./USB	P1012845-018	1	€ 170.00
	Main Control PCBA, Ser./USB/Cutter	P1012845-019	1	€ 243.00
	Main Control PCBA, std. Par.	P1012845-020	1	€ 170.00
	Main Control PCBA, Par. /Cutter	P1012845-021	1	€ 243.00
	Main Control PCBA, std. USB/Ethernet	P1012845-022	1	€ 231.00
	Main Control PCBA, USB/Ethernet/Cutter	P1012845-023	1	€ 300.00
	Main Control PCBA, Ser./USB/XMEM	P1112845-024	1	€ 211.00
	Main Control PCBA, Ser./USB/Cutter/XMEM	P1012845-025	1	€ 283.00
	Main Control PCBA, Par. /XMEM	P1012845-026	1	€ 206.00
	Main Control PCBA, Par. /Cutter/XMEM	P1012845-027	1	€ 279.00
	Main Control PCBA, USB/Ethernet/XMEM	P1012845-028	1	€ 259.00
	Main Control PCBA, USB/Ethernet/Cutter/XMEM	P1012845-029	1	€ 324.00
	Real Time Clock Battery	P1012845-009	1	€ 8.00
	Real Time Clock / Date PCBA	P1012845-010	1	€ 81.00
15	Rubber Foot Kit	105910-007	24	€ 10.00
<i>not shown</i>	Dispenser Option	P1012845-004	1	€ 62.00
	Cutter Replacement Kit, TLP2824 Plus	P1012845-016	1	€ 247.00
	Front Bezel, TLP2824	105910-165	3	€ 15.00
	Ribbon Core, 2" thermal transfer	105910-174	50	€ 45.60
	Shipping Pack, TLP2824 Plus	P1012845-017	1	€ 23.00
	CD-ROM, Desktop Printers Software & Documentation	P1012845-008	1	€ 12.00
	CD-ROM, Service Documentation	P1012845-012	1	A/R
	Power Supply, 100V-240V (C5) with UK & EUR Cords	105950-076	1	€ 93.00
	Power Cord, Euro 220V, IEC320C5	105950-062	5	€ 49.00
	Power Cord, U.K. 240V, IEC320C5	105950-063	5	€ 89.00



H100

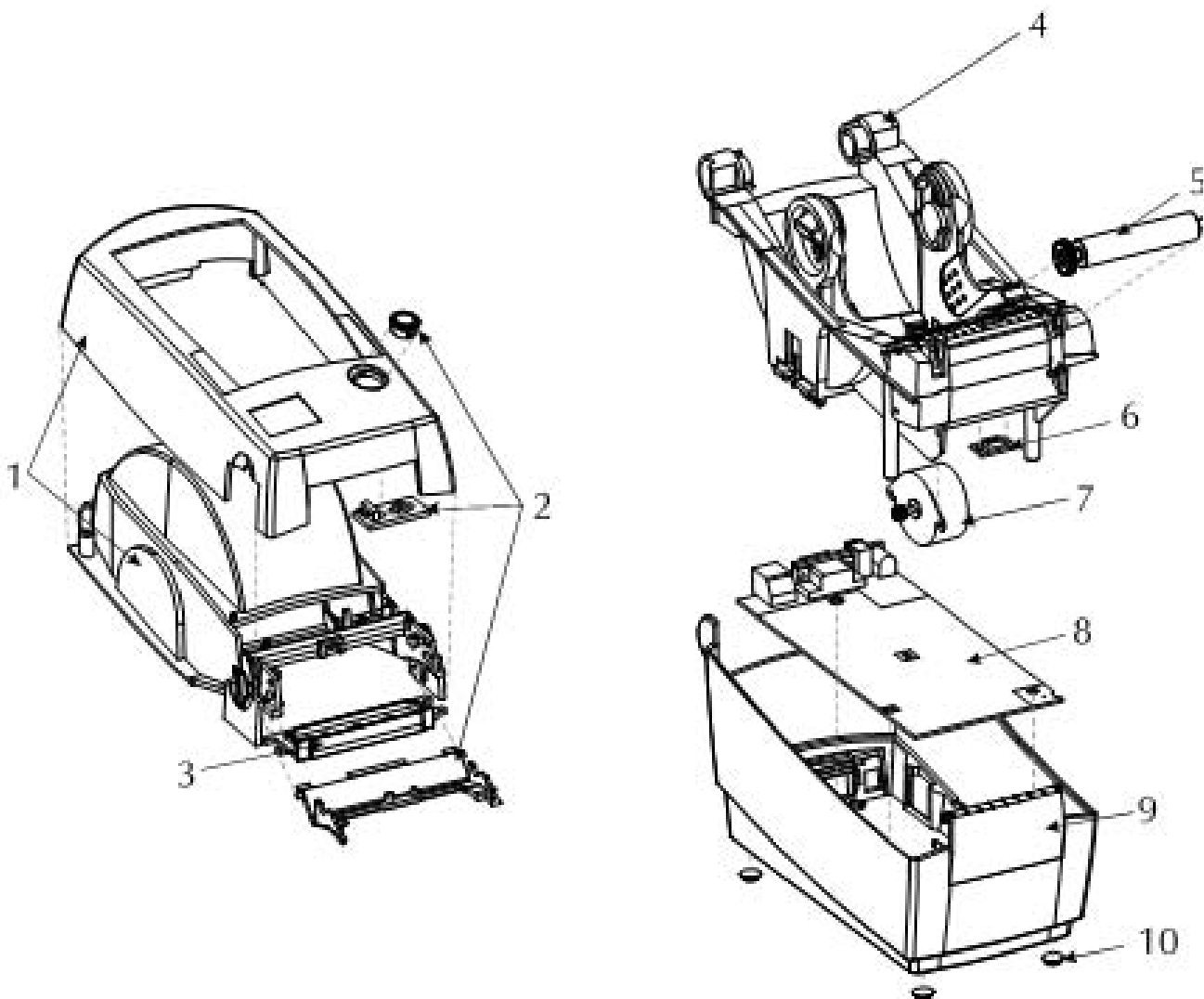
Item Number	Description	Part Number	Kit Quantity	Price €
HC100				
1	Upper Print Mechanism Cover Assembly Maintenance Kit	61340M	1	€ 146.00
2	Printhead Assembly Maintenance Kit	61330M	1	€ 138.00
3	Platen Roller Assembly Maintenance Kit	61331M	1	€ 38.00
4	Print Mechanism Chassis Assembly Maintenance Kit	61341M	1	€ 184.00
5	Main Frame Assembly Kit	61342M	1	€ 105.00
6	ZebraNet™ 10/100 Print Server Assembly Maintenance Kit	61338M	1	€ 180.00
7	ZebraNet™ Internal Wireless Plus Print Server Assembly	61337M	1	€ 250.00
8	Main Logic Board Maintenance Kit, 8 MB	61335M	1	€ 292.00
	Main Logic Board Maintenance Kit, 64 MB	61336M	1	€ 313.00
9	Smart Card Reader Board Maintenance Kit	61339M	1	€ 121.00
10	Outer Enclosure and Trim Maintenance Kit	61343M	1	€ 67.00
<i>not shown</i>	Cleaning Card	61332M	10	€ 34.00
	Packing Detail Kit	P1007957	1	€ 38.00
	Power Supply with UK & EUR Cords	61334M	1	€ 92.00



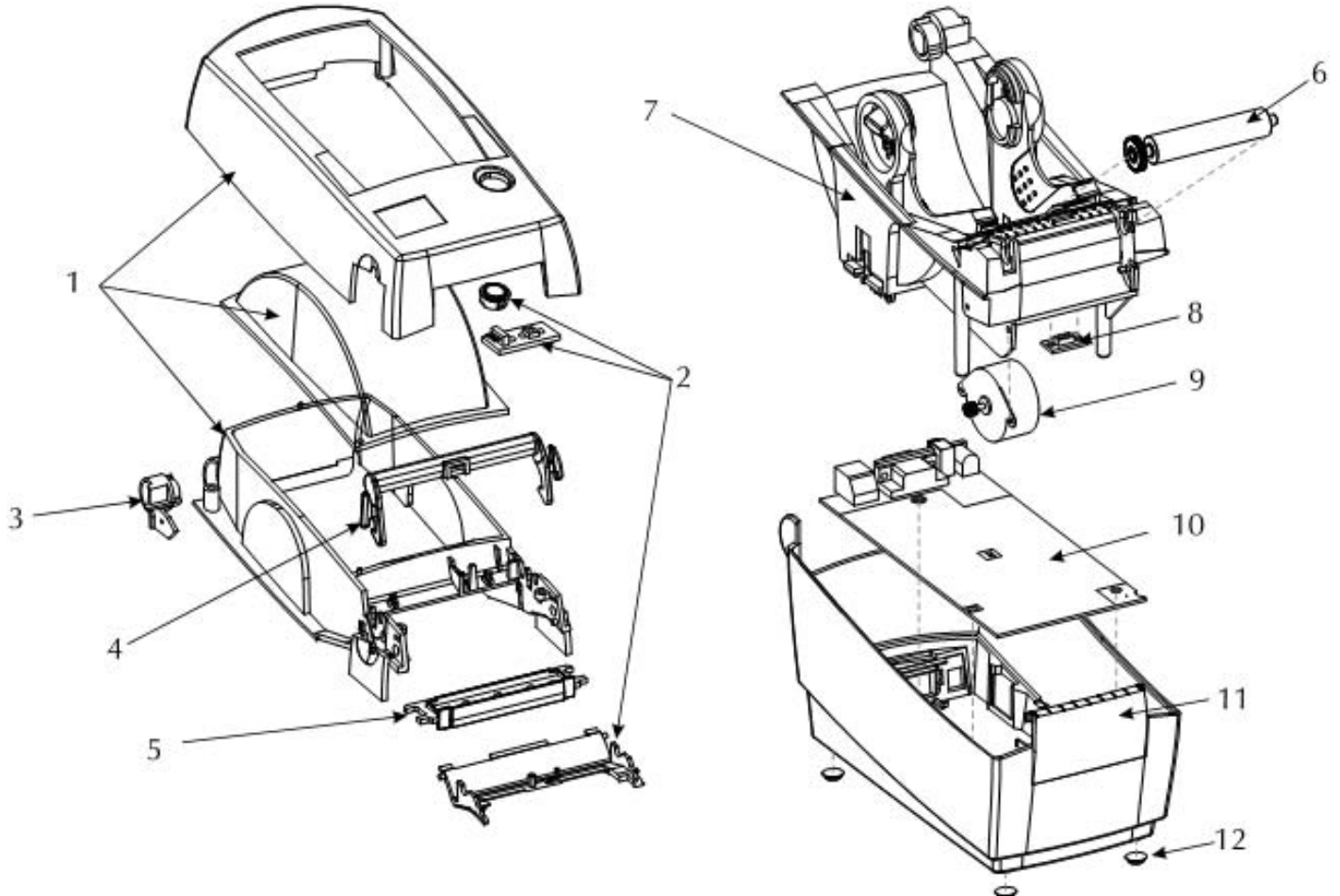
WWW.EXALT.PL

LP2824

Item Number	Description	Part Number	Kit Quantity	Price €
LP2824 (with serial number 61XXXXXX)				
1	Housing Cover Assembly	G105910-110	1	€ 86.00
2	Feed Switch/Sensor Assembly	105910-109	1	€ 39.81
3	Printhead Assembly, LP2824 (203 dpi)	G105910-102	1	€ 85.00
4	Frame Assembly w/o Platen	G105910-112	1	€ 64.00
5	Platen, LP2824 Std.	105910-107	1	€ 34.00
	Platen, LinerFree	105910-106	1	€ 39.31
6	Gap/Black Line Sensor Assembly	105910-111	1	€ 40.29
7	Motor, Assembly	G105910-108	1	€ 28.00
8	Main Control PCBA, Ser. w/Head-Up	105910-126	1	<i>Obsolete</i>
	Main Control PCBA, Par. w/Head-Up	105910-127	1	<i>Obsolete</i>
	Real Time Clock / Date I.C.	G105950-026	1	€ 32.00
9	Front Bezel, LP2824	105910-164	3	€ 18.00
10	Rubber Foot Kit	105910-007	24	€ 10.00
<i>not shown</i>	Power Supply, 100V-240V (C5) with UK & EUR Cords	105950-076	1	€ 93.00
	Power Cord, Euro 220V, IEC320C5	105950-062	5	€ 49.00
	Power Cord, U.K. 240V, IEC320C5	105950-063	5	€ 89.00
	Dispenser Option	G105910-118	1	€ 68.79
	LP 2824 Cutter Replacement Kit	G105910-119	1	€ 285.00
	Shipping Pack, LP2824	105910-120	1	€ 19.00
	CD-ROM, EPL Desktop Printers Software & Documentation	105950-028	1	€ 10.00
	CD-ROM, Service Documentation	105950-051	1	€ 210.00
	Power Cord, Euro 220V, IEC320C7	105950-039	5	€ 49.00
	Power Cord, U.K. 240V, IEC320C7	105950-040	5	€ 49.00

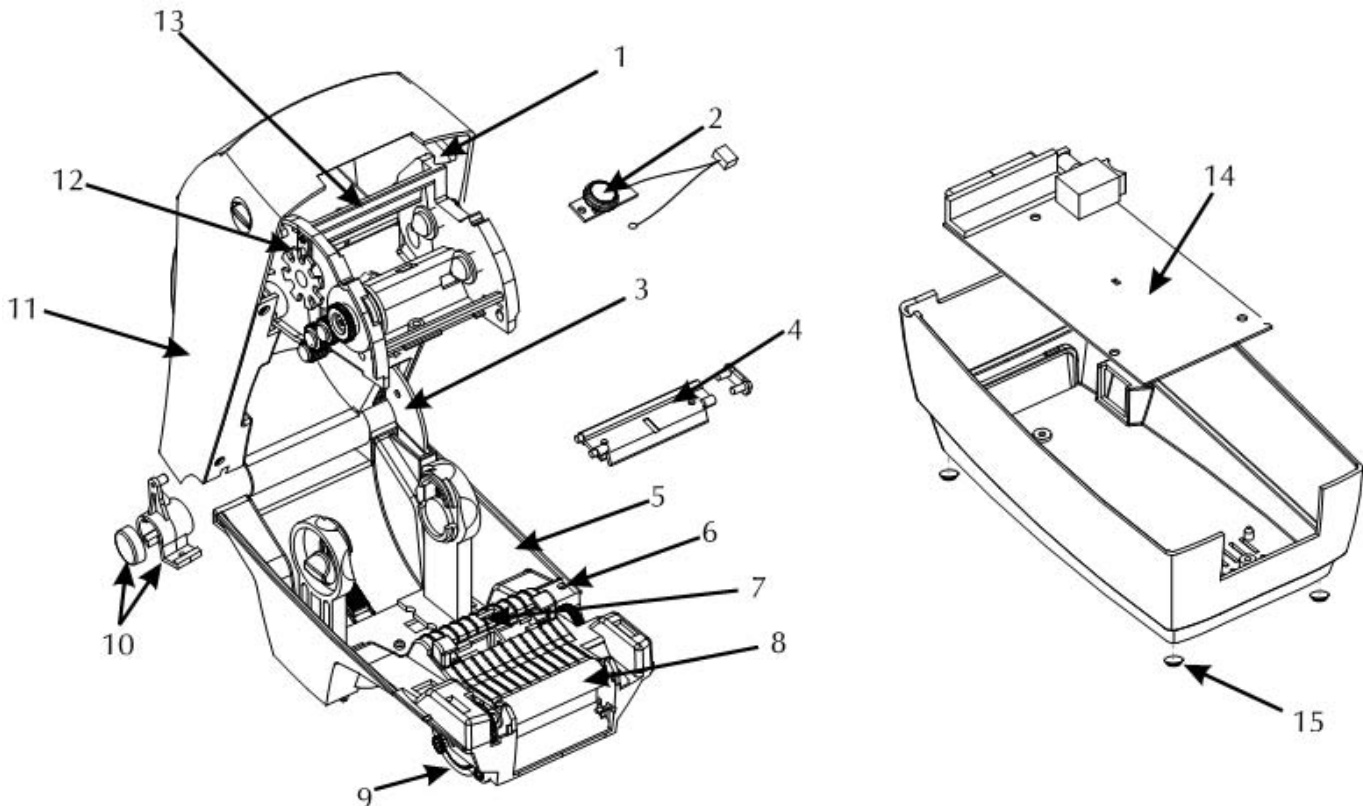


Item Number	Description	Part Number	Kit Quantity	Price €
LP2824 (with serial number 22AXXXXXXXXXX)				
1	Housing Cover Assembly	G105910-110	1	€ 86.00
2	Feed Switch/Sensor Assembly	G105910-145	1	€ 39.00
3	Cover Hinge	G105910-179	10	€ 19.00
4	Latch Assembly	105910-178	1	€ 15.00
5	Printhead Assembly, LP2824 (203 dpi)	G105910-102	1	€ 85.00
6	Platen, LP2824 Std.	105910-107	1	€ 34.00
	Platen, LinerFree	105910-106	1	€ 39.31
7	Frame Assembly w/o Platen	G105910-112	1	€ 64.00
	Head Up Sensor	G105910-072	1	€ 30.00
8	Gap/Blackline Sensor PCBA	G105910-054	3	€ 46.00
9	Motor, Assembly	G105910-108	1	€ 28.00
10	Main Control PCBA, std. Ser./USB	G105910-138	1	€ 221.12
	Main Control PCBA, std. Par.	G105910-139	1	€ 221.12
	Main Control PCBA, std. Ser./Ethernet	G105910-140	1	€ 442.24
	Main Control PCBA, Asian Ser./USB/Cutter	G105910-141	1	€ 319.40
	Main Control PCBA, Asian Par./Cutter	G105910-142	1	€ 209.00
	Main Control PCBA, Asian Ser./Cutter/Ethernet	G105910-143	1	€ 325.69
	Kit, Ethernet IO PCBA with cables	G105910-121	1	€ 73.00
	Kit, PrintServerII Daughter Board	G105910-123	1	€ 220.00
	Real Time Clock / Date I.C.	G105950-026	1	€ 32.00
	Real Time Clock / Date PCBA	G105910-144	1	€ 43.43
11	Front Bezel, LP2824	105910-164	3	€ 18.00
12	Rubber Foot Kit	105910-007	24	€ 10.00
<i>not shown</i>	Power Supply, 100V-240V (C5) with UK & EUR Cords	105950-076	1	€ 93.00
	Power Cord, Euro 220V, IEC320C5	105950-062	5	€ 49.00
	Power Cord, U.K. 240V, IEC320C5	105950-063	5	€ 89.00
	Dispenser Option	G105910-118	1	€ 68.79
	LP 2824 Cutter Replacement Kit	G105910-119	1	€ 285.00
	Shipping Pack, LP2824	105910-120	1	€ 19.00
	CD-ROM, EPL Desktop Printers Software & Documentation	105950-028	1	€ 10.00
	CD-ROM, Service Documentation	105950-051	1	€ 210.00



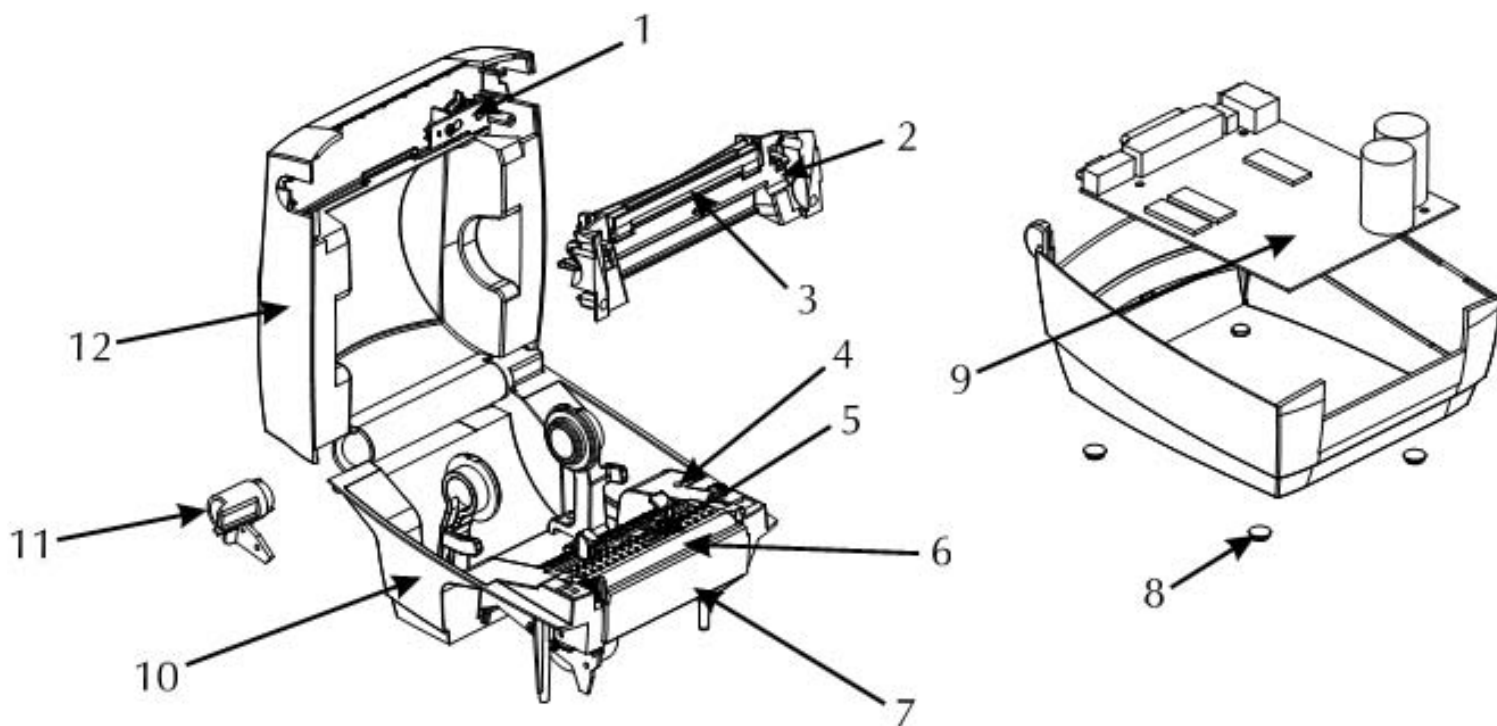
TLP2824

Item Number	Description	Part Number	Kit Quantity	Price €
TLP2824				
1	Latch Assembly	G105910-146	1	€ 24.57
2	Feed Switch/Sensor Assembly	G105910-064	3	€ 49.14
3	Upper Cover Support	G105910-147	3	€ 29.48
4	Printhead Assembly, TLP2824 (203 dpi)	G105910-148	1	€ 85.00
5	Lower Frame Assembly w/o Platen	G105910-149	1	€ 83.53
6	Head Up Sensor	G105910-072	1	€ 30.00
7	Gap/Blackline Sensor PCBA	G105910-054	3	€ 46.00
8	Platen, TLP2824 Std.	105910-150	1	€ 34.40
9	Motor	G105910-051	2	€ 51.10
10	Cover Hinge	G105910-180	10	€ 25.00
11	Upper Cover Assembly	G105910-151	1	€ 39.31
12	Ribbon Out Sensor	G105910-067	3	€ 52.09
13	Ribbon Carriage w/o Print Head	G105910-152	1	€ 78.62
14	Main Control PCBA, std. Ser./USB	G105910-138	1	€ 221.12
	Main Control PCBA, std. Par.	G105910-139	1	€ 221.12
	Main Control PCBA, std. Ser./Ethernet	G105910-140	1	€ 442.24
	Main Control PCBA, Asian Ser./USB/Cutter	G105910-141	1	€ 319.40
	Main Control PCBA, Asian Par./Cutter	G105910-142	1	€ 209.00
	Main Control PCBA, Asian Ser./Cutter/Ethernet	G105910-143	1	€ 325.69
	Kit, Ethernet IO PCBA with cables	G105910-121	1	€ 73.00
	Kit, PrintServerII Daughter Board	G105910-123	1	€ 220.00
	Real Time Clock / Date I.C.	G105950-026	1	€ 32.00
	Real Time Clock / Date PCBA	G105910-144	1	€ 43.43
15	Rubber Foot Kit	105910-007	24	€ 10.00
<i>not shown</i>	Power Supply, 100V-240V (C5) with UK & EUR Cords	105950-076	1	€ 93.00
	Power Cord, Euro 220V, IEC320C5	105950-062	5	€ 49.00
	Power Cord, U.K. 240V, IEC320C5	105950-063	5	€ 89.00
	Front Bezel, TLP2824	105910-165	3	€ 15.00
	Dispenser Option	G105910-118	1	€ 68.79
	Cutter Replacement Kit, TLP2824	G105910-153	1	€ 285.00
	Ribbon Core, 2" thermal transfer	105910-174	50	€ 45.60
	Shipping Pack, TLP2824	105910-173	1	€ 21.00
	CD-ROM, EPL Desktop Printers Software & Documentation	105950-028	1	€ 10.00
	CD-ROM, Service Documentation	105950-051	1	€ 210.00



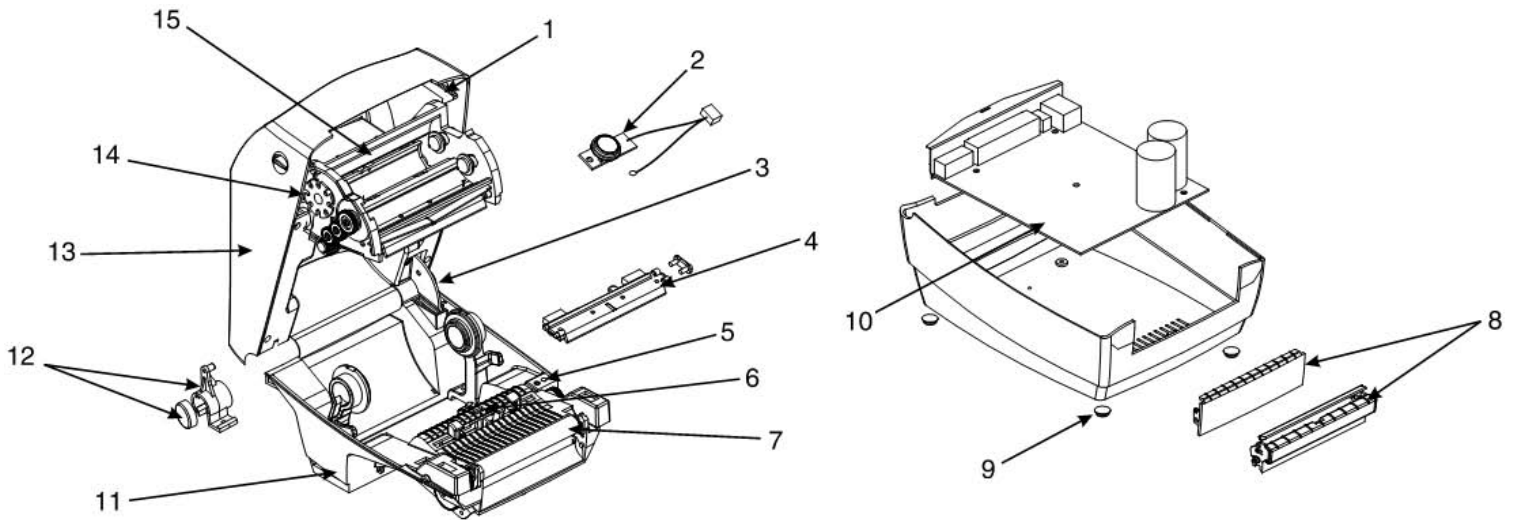
LP2844

Item Number	Description	Part Number	Kit Quantity	Price €
LP2844				
1	Feed Switch/Sensor Assembly	G105910-064	3	€ 49.14
2	Latch Assembly	G105910-068	1	€ 39.00
3	Printhead Assembly, LP2844, LP2844 Z (203 dpi)	G105910-048	1	€ 102.00
	Print Head Cable Set	105915-091	1	€ 21.71
4	Head Up Sensor	G105910-072	1	€ 30.00
5	Gap / Blackline Sensor PCBA	G105910-069	3	€ 46.00
6	Platen Kit, std.	105910-001	3	€ 45.00
	Platen Kit, Liner Free	105910-002	1	€ 49.00
7	Front Bezel, Std. Kit	105910-005	10	€ 30.00
	Front Bezel, Dispenser	G105910-022	1	€ 81.00
	Label Taken Sensor PCBA	G105910-013	3	€ 38.00
8	Rubber Foot Kit	105910-007	24	€ 10.00
9	Main Control PCBA, Par./RS-232/USB, Full Memory, Cutter compatible	G105910-050	1	€ 414.00
	Main Control PCBA, Ethernet ready/RS-232/USB, Full Memory, Cutter compatible	G105910-122	1	€ 438.00
	Kit, Ethernet IO PCBA with cables	G105910-121	1	€ 73.00
	Kit, PrintServerII Daughter Board	G105910-123	1	€ 220.00
	Kit, 4" Ethernet Back Panel	G105910-124	1	€ 23.00
	Real Time Clock / Date I.C.	G105950-026	1	€ 32.00
10	Bottom Frame Assembly	G105910-059	1	€ 64.00
11	Cover Hinge	G105910-073	10	€ 28.00
12	Upper Cover Assembly	G105910-070	1	€ 64.00
<i>not shown</i>	Motor, Assembly	G105910-108	1	€ 28.00
	Power Supply, 100V-240V (C5) with UK & EUR Cords	105950-076	1	€ 93.00
	Power Cord, Euro 220V, IEC320C5	105950-062	5	€ 49.00
	Power Cord, U.K. 240V, IEC320C5	105950-063	5	€ 89.00
	Cutter Replacement Kit, LP	G105910-029	1	€ 302.00
	Shipping Pack	105950-050	1	€ 19.00
	2844 User's Manual	105910-062	1	€ 8.00
	CD-ROM, EPL Desktop Printers Software & Documentation	105950-028	1	€ 10.00
	CD-ROM, Service Documentation	105950-051	1	€ 210.00



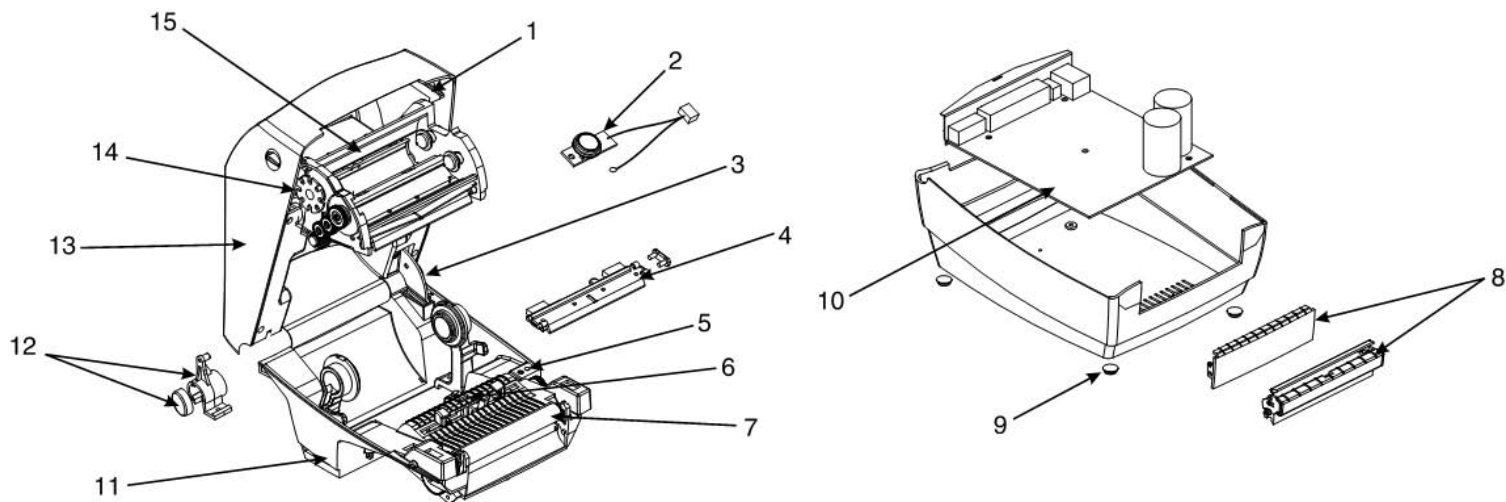
TLP2844

Item Number	Description	Part Number	Kit Quantity	Price €
TLP2844				
1	Latch Assembly	105910-052	1	€ 39.31
2	Feed Switch/Sensor Assembly	G105910-064	3	€ 49.14
3	Upper Cover Support	G105910-066	3	€ 11.79
4	Printhead Assembly, TLP2844, TLP2844 Z, R2844 Z (203 dpi)	G105910-053	1	€ 102.00
	Print Head Cable Assembly	105910-065	1	€ 29.48
5	Head Up Sensor	G105910-072	1	€ 30.00
6	Gap/Blackline Sensor PCBA	G105910-054	1	€ 46.00
7	Platen Kit, std.	105910-055	3	€ 48.00
8	Front Bezel, std.	105910-057	10	€ 24.57
	Front Bezel, Dispenser	G105910-022	1	€ 81.00
	Label Taken Sensor PCBA	G105910-013	3	€ 38.00
9	Rubber Foot Kit	105910-007	24	€ 10.00
10	Main Control PCBA, Par./RS-232/USB, Full Memory, Cutter compatible	G105910-050	1	€ 414.00
	Kit, Ethernet IO PCBA with cables	G105910-121	1	€ 73.00
	Main Control PCBA, Ethernet ready/RS-232/USB, Full Memory, Cutter compatible	G105910-122	1	€ 438.00
	Kit, PrintServerII Daughter Board	G105910-123	1	€ 220.00
	Kit, 4" Ethernet Back Panel	G105910-124	1	€ 23.00
	Real Time Clock / Date I.C.	G105950-026	1	€ 32.00
11	Bottom Frame Assembly	G105910-071	1	€ 90.41
12	Cover Hinge	G105910-074	10	€ 34.00
13	Upper Cover Assembly	G105910-060	1	€ 73.71
14	Ribbon Out Sensor	G105910-067	3	€ 52.09
15	Ribbon Carriage w/o print head	G105910-061	1	€ 73.71
<i>not shown</i>	Motor	G105910-051	2	€ 51.10
	Power Supply, 100V-240V (C5) with UK & EUR Cords	105950-076	1	€ 93.00
	Power Cord, Euro 220V, IEC320C5	105950-062	5	€ 49.00
	Power Cord, U.K. 240V, IEC320C5	105950-063	5	€ 89.00
	Cutter Replacement Kit, TLP	G105910-028	1	€ 304.66
	Ribbon Core, 4" thermal transfer	105903-053	50	€ 34.00
	Shipping Pack	105950-050	1	€ 19.00
	CD-ROM, EPL Desktop Printers Software & Documentation	105950-028	1	€ 10.00
	CD-ROM, Service Documentation	105950-051	1	€ 210.00



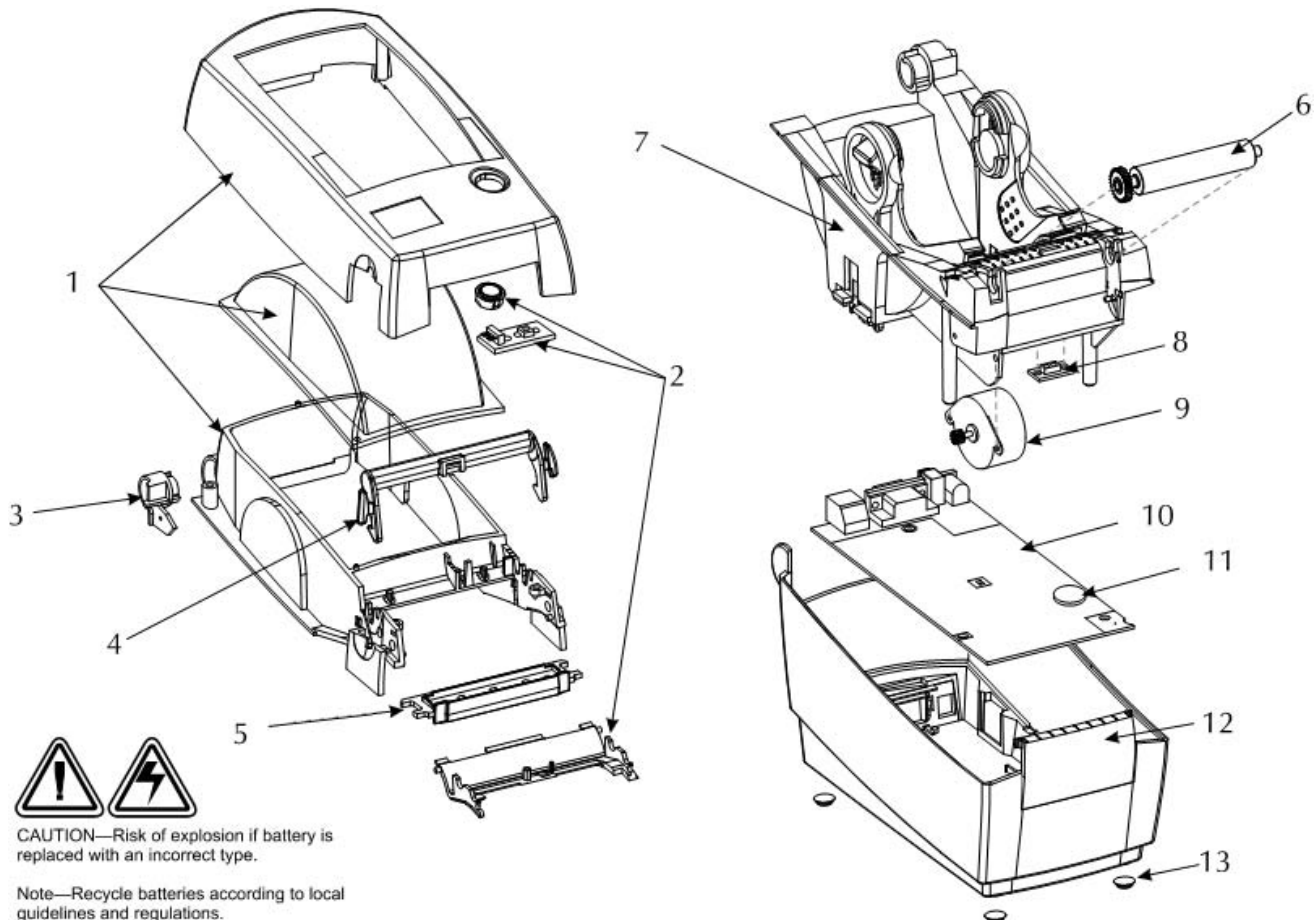
TLP3842

Item Number	Description	Part Number	Kit Quantity	Price €
TLP3842				
1	Latch Assembly	105910-052	1	€ 39.31
2	Feed Switch/Sensor Assembly	G105910-064	3	€ 49.14
3	Upper Cover Support	G105910-066	3	€ 11.79
4	Printhead Assembly, TLP3842, TLP3844 Z (300 dpi)	G105910-155	1	€ 214.00
	Print Head Cable Assembly	105910-065	1	€ 29.48
5	Head Up Sensor	G105910-072	1	€ 30.00
6	Gap/Blackline Sensor PCBA	G105910-054	3	€ 46.00
7	Platen Kit, std.	105910-055	3	€ 48.00
8	Front Bezel, std.	105910-057	10	€ 24.57
	Front Bezel, Dispenser	G105910-022	1	€ 81.00
	Label Taken Sensor PCBA	G105910-013	3	€ 38.00
9	Rubber Foot Kit	105910-007	24	€ 10.00
10	Main Control PCBA, Full Mem. (Asian) Par./Ser./USB	G105910-157	1	€ 389.00
	Main Control PCBA, Full Mem. (Asian) Ethernet/Ser./USB	G105910-159	1	€ 438.00
	Kit, Ethernet IO PCBA with cables	G105910-121	1	€ 73.00
	Kit, PrintServerII Daughter Board	G105910-123	1	€ 220.00
	Kit, 4" Ethernet Back Panel	G105910-124	1	€ 23.00
	Real Time Clock / Date I.C.	G105950-026	1	€ 32.00
11	Bottom Frame Assembly w/o Platen	G105910-160	1	€ 93.00
12	Cover Hinge	G105910-074	10	€ 34.00
13	Upper Cover Assembly	G105910-060	1	€ 73.71
14	Ribbon Out Sensor	G105910-067	3	€ 52.09
15	Ribbon Carriage w/o print head	G105910-061	1	€ 73.71
<i>not shown</i>	Motor, Assembly	G105910-161	2	€ 51.00
	Power Supply, 100V-240V (C5) with UK & EUR Cords	105950-076	1	€ 93.00
	Power Cord, Euro 220V, IEC320C5	105950-062	5	€ 49.00
	Power Cord, U.K. 240V, IEC320C5	105950-063	5	€ 89.00
	Cutter Replacement Kit, TLP	G105910-028	1	€ 304.66
	Ribbon Core, 4" thermal transfer	105903-053	50	€ 34.00
	Shipping Pack	105950-050	1	€ 19.00
	CD-ROM, EPL Desktop Printers Software & Documentation	105950-028	1	€ 10.00
	CD-ROM, Service Documentation	105950-051	1	€ 210.00



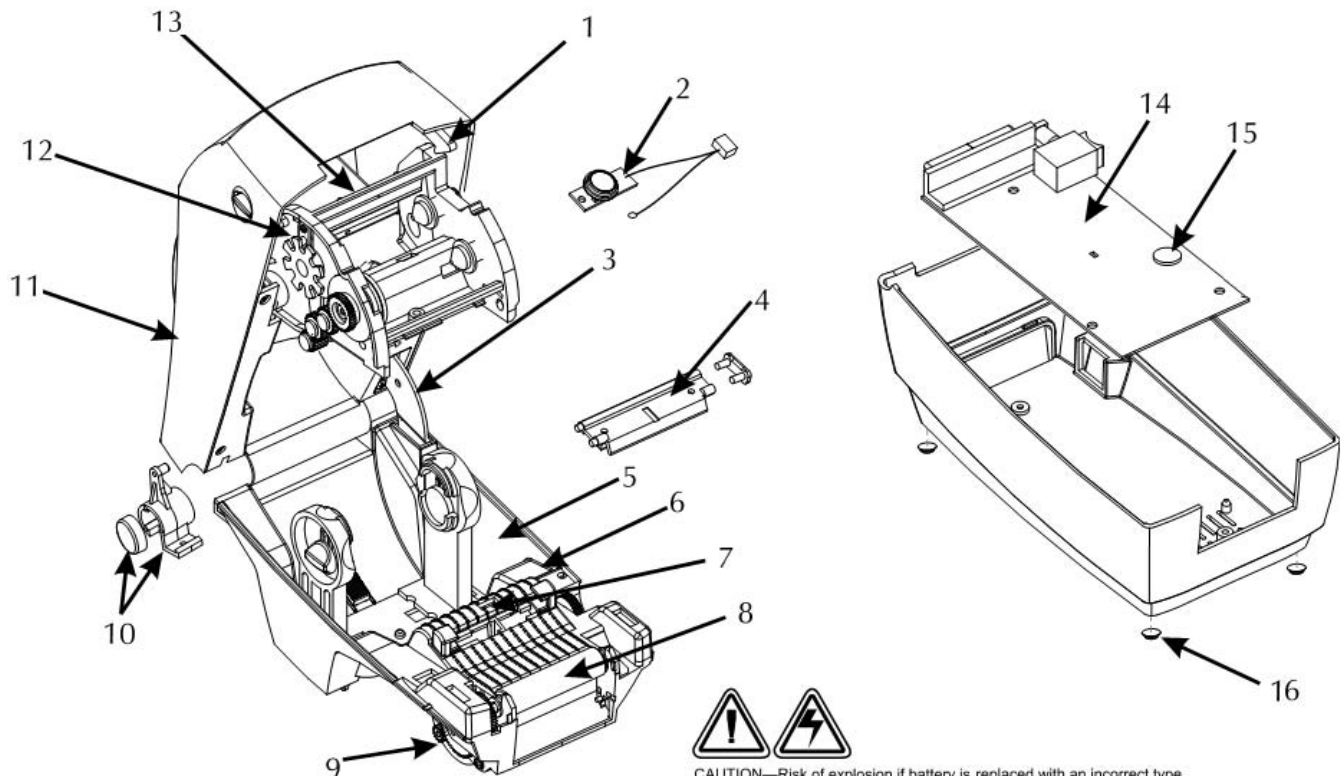
LP2824-Z

Item Number	Description	Part Number	Kit Quantity	Price €
LP2824-Z				
1	Housing Cover Assembly	G105910-110	1	€ 86.00
2	Feed Switch/Sensor Assembly	G105910-145	1	€ 39.00
3	Cover Hinge	G105910-179	10	€ 19.00
4	Latch Assembly	105910-178	1	€ 15.00
5	Printhead Assembly, LP2824 (203 dpi)	G105910-102	1	€ 85.00
6	Platen, LP2824 Std.	105910-107	1	€ 34.00
	Platen, LinerFree	105910-106	1	€ 39.31
7	Frame Assembly w/o Platen	G105929-009	1	€ 63.88
	Head Up Sensor	G105929-008	1	€ 29.48
8	Gap/Blackline Sensor PCBA	G105910-054	3	€ 46.00
9	Motor, Assembly	G105910-108	1	€ 28.00
10	Main Control PCBA, Std. Memory, Ser./USB	G105929-001	1	€ 245.69
	Main Control PCBA, Std. Memory, Par.	G105929-002	1	€ 245.69
	Main Control PCBA, Std. Memory, Ethernet	G105929-003	1	€ 461.90
	Main Control PCBA, Full Memory, Ser./USB	G105929-004	1	€ 343.97
	Main Control PCBA, Full Memory, Par.	G105929-005	1	€ 343.97
	Main Control PCBA, Full Memory, Ethernet	G105929-006	1	€ 560.17
	Interface Protection Fuse, 1A	G105950-056	10	€ 24.57
	Kit, Ethernet IO PCBA with cables	G105910-121	1	€ 73.00
	Kit, PrintServerII Daughter Board	G105910-123	1	€ 220.00
	11	Battery, 3V Lithium	G105950-003	10
12	Front Bezel, LP2824	105910-164	3	€ 18.00
13	Rubber Foot Kit	105910-007	24	€ 10.00
<i>not shown</i>	Power Supply, 100V-240V (C5) with UK & EUR Cords	105950-076	1	€ 93.00
	Power Cord, Euro 220V, IEC320C5	105950-062	5	€ 49.00
	Power Cord, U.K. 240V, IEC320C5	105950-063	5	€ 89.00
	Dispenser Option	G105910-118	1	€ 68.79
	Cutter Replacement Kit, LP 2824	G105910-119	1	€ 285.00
	Shipping Pack, LP2824, TLP2824	105910-120	1	€ 19.00
	CD-ROM, ZPL Desktop Printers Software & Documentation	105950-053	1	€ 8.00
	CD-ROM, Service Documentation	105950-051	1	€ 210.00



TLP2824-Z

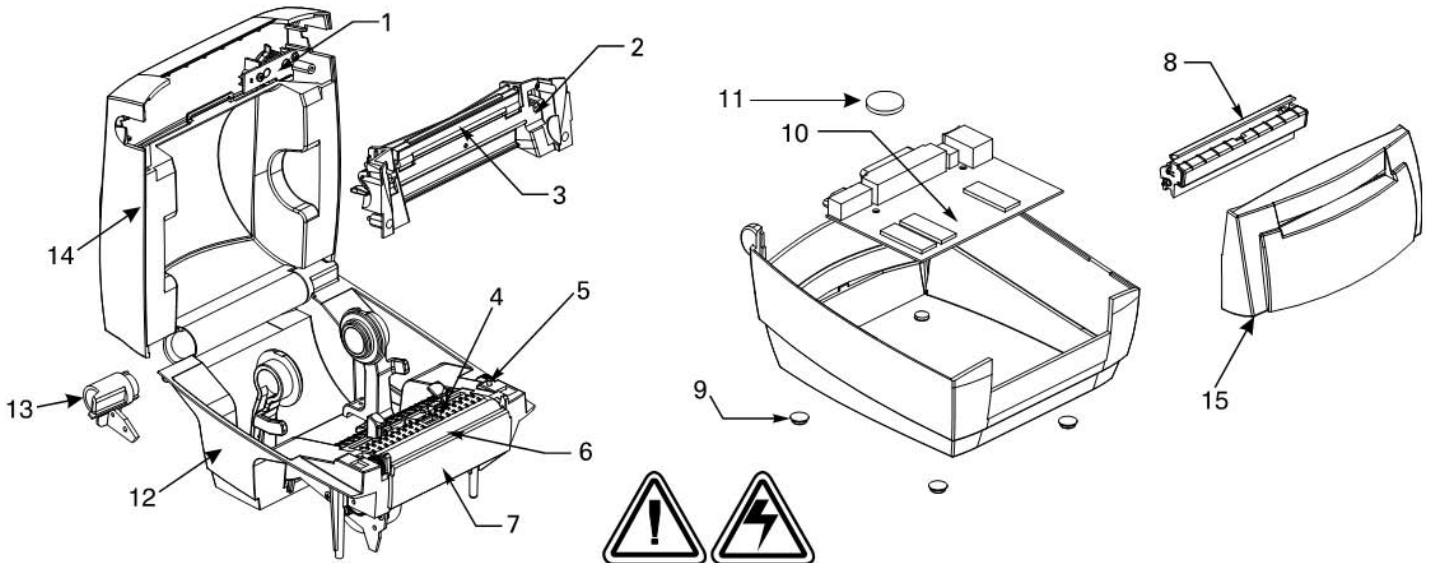
Item Number	Description	Part Number	Kit Quantity	Price €
TLP2824-Z				
1	Latch Assembly	G105910-146	1	€ 24.57
2	Feed Switch/Sensor Assembly	G105910-064	3	€ 49.14
3	Upper Cover Support	G105910-147	3	€ 29.48
4	Printhead Assembly, TLP2824 (203 dpi)	G105910-148	1	€ 85.00
5	Lower Frame Assembly w/o Platen	G105910-149	1	€ 83.53
6	Head Up Sensor	G105929-008	1	€ 29.48
7	Gap/Blackline Sensor PCBA	G105910-054	3	€ 46.00
8	Platen, TLP2824 Std.	105910-150	1	€ 34.40
9	Motor	G105910-051	2	€ 51.10
10	Cover Hinge	G105910-180	10	€ 25.00
11	Upper Cover Assembly	G105910-151	1	€ 39.31
12	Ribbon Out Sensor	G105910-067	3	€ 52.09
13	Ribbon Carriage w/o Print Head	G105910-152	1	€ 78.62
14	Main Control PCBA, Std. Memory, Ser./USB	G105929-001	1	€ 245.69
	Main Control PCBA, Std. Memory, Par.	G105929-002	1	€ 245.69
	Main Control PCBA, Std. Memory, Ethernet	G105929-003	1	€ 461.90
	Main Control PCBA, Full Memory, Ser./USB	G105929-004	1	€ 343.97
	Main Control PCBA, Full Memory, Par.	G105929-005	1	€ 343.97
	Main Control PCBA, Full Memory, Ethernet	G105929-006	1	€ 560.17
	Interface Protection Fuse, 1A	G105950-056	10	€ 24.57
	Kit, Ethernet IO PCBA with cables	G105910-121	1	€ 73.00
	Kit, PrintServerII Daughter Board	G105910-123	1	€ 220.00
15	Battery, 3V Lithium	G105950-003	10	€ 24.00
16	Rubber Foot Kit	105910-007	24	€ 10.00
<i>not shown</i>	Power Supply, 100V-240V (C5) with UK & EUR Cords	105950-076	1	€ 93.00
	Power Cord, Euro 220V, IEC320C5	105950-062	5	€ 49.00
	Power Cord, U.K. 240V, IEC320C5	105950-063	5	€ 89.00
	Front Bezel, TLP2824	105910-165	3	€ 15.00
	Dispenser Option	G105910-118	1	€ 68.79
	TLP 2824 Cutter Replacement Kit	G105910-153	1	€ 285.00
	Ribbon Core, 2" thermal transfer	105910-174	50	€ 45.60
	Shipping Pack, LP2824, TLP2824	105910-120	1	€ 19.00
	CD-ROM, ZPL Desktop Printers Software & Documentation	105950-053	1	€ 8.00
	CD-ROM, Service Documentation	105950-051	1	€ 210.00



CAUTION—Risk of explosion if battery is replaced with an incorrect type.
Note—Recycle batteries according to local guidelines and regulations.

LP28444-Z

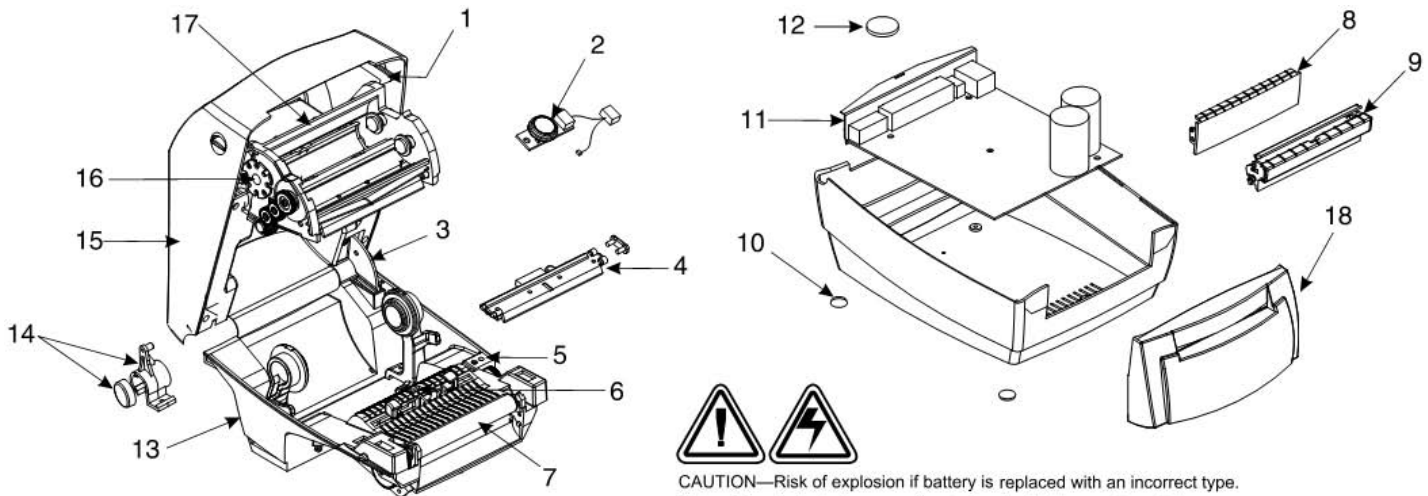
Item Number	Description	Part Number	Kit Quantity	Price €	
LP2844-Z					
1	Feed Switch / Sensor Assembly	G105916-013	3	€ 46.00	
2	Latch Assembly	G105910-068	1	€ 39.00	
3	Printhead Assembly, LP2844, LP2844 Z (203 dpi) Print Head Cable Set	105910-048	1	€ 105.00	
		105915-091	1	€ 21.71	
4	Gap / Blackline Sensor PCBA	G105910-069	3	€ 46.00	
5	Head Up Sensor	G105916-015	1	€ 28.00	
6	Platen Kit, std. Platen Kit, Liner Free	105910-001	3	€ 45.00	
		105910-002	1	€ 49.00	
7	Front Bezel, Std. Kit	105910-005	10	€ 30.00	
8	Front Bezel, Dispenser LP 2844-Z , LP 3844-Z Label Taken Sensor	G105916-002	1	€ 81.00	
		G105916-001	3	€ 64.00	
9	Rubber Foot Kit	105910-007	24	€ 10.00	
10	Main Control PCBA, Std. Memory, Ser./Par./USB	G105916-004	1	€ 292.00	
	Main Control PCBA, Std. Memory, Ser./Ethernet/USB	G105916-005	1	€ 341.00	
	Main Control PCBA, Full Memory, Ser./Par./USB	G105916-006	1	€ 389.00	
	Main Control PCBA, Full Memory, Ser./Ethernet/USB	G105916-007	1	€ 438.00	
	Interface Protection Fuse, 1A	G105950-056	10	€ 24.57	
	Kit, Ethernet IO PCBA with cables	G105910-121	1	€ 73.00	
	Kit, PrintServerII Daughter Board	G105910-123	1	€ 220.00	
	Kit, 4" Ethernet Back Panel	G105910-124	1	€ 23.00	
	11	Battery, 3V Lithium	G105950-003	10	€ 24.00
	12	Bottom Frame Assembly	G105916-020	1	€ 52.10
13	Cover Hinge	G105910-073	10	€ 28.00	
14	Upper Cover Assembly	G105916-021	1	€ 67.00	
15	Cutter Replacement Kit, LP	G105910-029	1	€ 302.00	
<i>not shown</i>	Motor, Assembly	G105910-108	1	€ 28.00	
	Power Supply, 100V-240V (C5) with UK & EUR Cords	105950-076	1	€ 93.00	
	Power Cord, Euro 220V, IEC320C5	105950-062	5	€ 49.00	
	Power Cord, U.K. 240V, IEC320C5	105950-063	5	€ 89.00	
	Shipping Pack	105950-050	1	€ 19.00	
	CD-ROM, ZPL Desktop Printers Software & Documentation	105950-053	1	€ 8.00	
	CD-ROM, Service Documentation	105950-051	1	€ 210.00	



CAUTION—Risk of explosion if battery is replaced with an incorrect type.
Note—Recycle batteries according to local guidelines and regulations.

TLP2844-Z

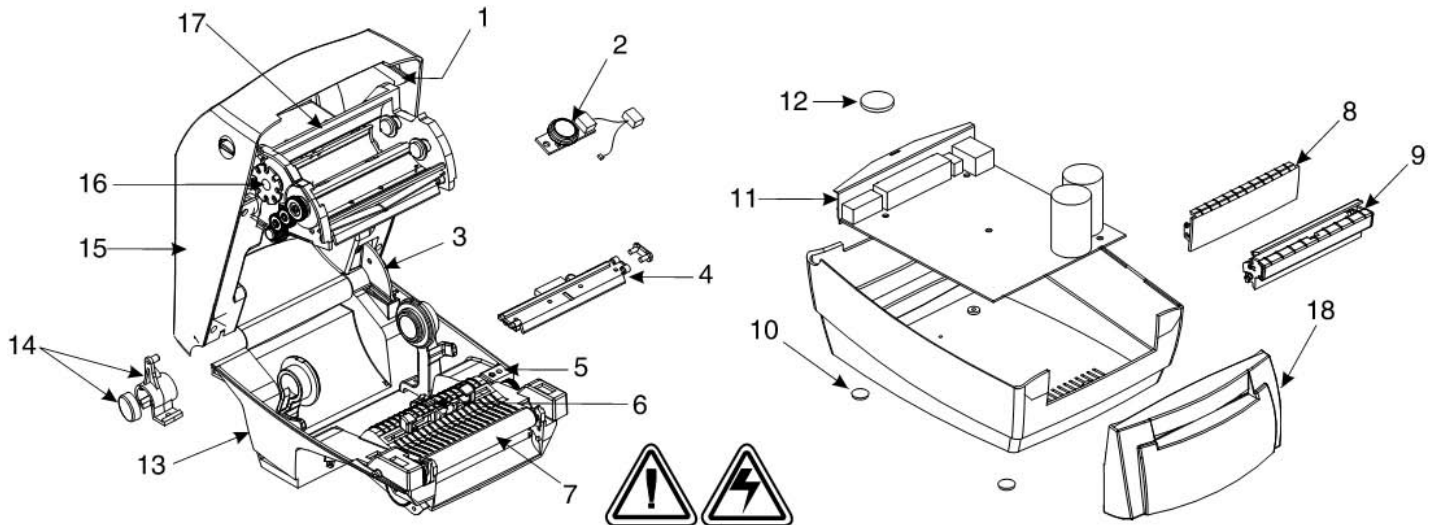
Item Number	Description	Part Number	Kit Quantity	Price €
TLP2844-Z				
1	Latch Assembly	105910-052	1	€ 39.31
2	Feed Switch / Sensor Assembly	G105916-030	3	€ 150.00
3	Upper Cover Support	G105910-066	3	€ 11.79
4	Printhead Assembly, TLP2844, TLP2844 Z, R2844 Z (203 dpi)	G105910-053	1	€ 102.00
	Print Head Cable Assembly	105910-065	1	€ 29.48
5	Head Up Sensor	G105916-015	1	€ 28.00
6	Gap/Blackline Sensor PCBA	G105910-054	3	€ 46.00
7	Platen Kit, std.	105910-055	3	€ 48.00
8	Front Bezel, std.	105910-057	10	€ 24.57
9	Front Bezel, Dispenser TLP 2844-Z , TLP 3844-Z	G105916-003	1	€ 81.00
	Label Taken Sensor	G105916-001	3	€ 64.00
10	Rubber Foot Kit	105910-007	24	€ 10.00
11	Main Control PCBA, Std. Memory, Ser./Par./USB	G105916-004	1	€ 292.00
	Main Control PCBA, Std. Memory, Ser./Ethernet/USB	G105916-005	1	€ 341.00
	Main Control PCBA, Full Memory, Ser./Par./USB	G105916-006	1	€ 389.00
	Main Control PCBA, Full Memory, Ser./Ethernet/USB	G105916-007	1	€ 438.00
	Interface Protection Fuse, 1A	G105950-056	10	€ 24.57
	Kit, Ethernet IO PCBA with cables	G105910-121	1	€ 73.00
	Kit, PrintServerII Daughter Board	G105910-123	1	€ 220.00
	Kit, 4" Ethernet Back Panel	G105910-124	1	€ 23.00
12	Battery, 3V Lithium	G105950-003	10	€ 24.00
13	Bottom Frame Assembly (203 dpi)	G105916-027	1	€ 94.00
14	Cover Hinge	G105910-074	10	€ 34.00
15	Upper Cover Assembly	G105910-060	1	€ 73.71
16	Ribbon Out Sensor	G105916-028	3	€ 49.00
17	Ribbon Carriage w/o Printhead	G105916-029	1	€ 70.00
18	Cutter Replacement Kit, TLP	G105910-028	1	€ 304.66
<i>not shown</i>	Motor	G105910-051	2	€ 51.10
	Power Supply, 100V-240V (C5) with UK & EUR Cords	105950-076	1	€ 93.00
	Power Cord, Euro 220V, IEC320C5	105950-062	5	€ 49.00
	Power Cord, U.K. 240V, IEC320C5	105950-063	5	€ 89.00
	Ribbon Core, 4" thermal transfer	105903-053	50	€ 34.00
	Shipping Pack	105950-050	1	€ 19.00
	CD-ROM, ZPL Desktop Printers Software & Documentation	105950-053	1	€ 8.00
	CD-ROM, Service Documentation	105950-051	1	€ 210.00



CAUTION—Risk of explosion if battery is replaced with an incorrect type.
Note—Recycle batteries according to local guidelines and regulations.

TLP38444-Z

Item Number	Description	Part Number	Kit Quantity	Price €
TLP3844-Z				
1	Latch Assembly	105910-052	1	€ 39.31
2	Feed Switch / Sensor Assembly	G105916-030	3	€ 150.00
3	Upper Cover Support	G105910-066	3	€ 11.79
4	Printhead Assembly, TLP3842, TLP3844 Z (300 dpi)	G105910-155	1	€ 214.00
	Print Head Cable Assembly	105910-065	1	€ 29.48
5	Head Up Sensor	G105916-015	1	€ 28.00
6	Gap/Blackline Sensor PCBA	G105910-054	3	€ 46.00
7	Platen Kit, std.	105910-055	3	€ 48.00
8	Front Bezel, std.	105910-057	10	€ 24.57
9	Front Bezel, Dispenser TLP 2844-Z , TLP 3844-Z	G105916-003	1	€ 81.00
	Label Taken Sensor	G105916-001	3	€ 64.00
10	Rubber Foot Kit	105910-007	24	€ 10.00
11	Main Control PCBA, Std. Memory, Ser./Par./USB	G105916-009	1	€ 317.00
	Main Control PCBA, Std. Memory, Ser./Ethernet/USB	G105916-010	1	€ 365.00
	Main Control PCBA, Full Memory, Ser./Par./USB	G105916-011	1	€ 414.00
	Main Control PCBA, Full Memory, Ser./Ethernet/USB	G105916-012	1	€ 462.00
	Interface Protection Fuse, 1A	G105950-056	10	€ 24.57
	Kit, Ethernet IO PCBA with cables	G105910-121	1	€ 73.00
	Kit, PrintServerII Daughter Board	G105910-123	1	€ 220.00
	Kit, 4" Ethernet Back Panel	G105910-124	1	€ 23.00
12	Battery, 3V Lithium	G105950-003	10	€ 24.00
13	Bottom Frame Assembly	G105916-031	1	€ 68.76
14	Cover Hinge	G105910-074	10	€ 34.00
15	Upper Cover Assembly	G105910-060	1	€ 73.71
16	Ribbon Out Sensor	G105916-028	3	€ 49.00
17	Ribbon Carriage w/o Printhead	G105916-029	1	€ 70.00
18	Cutter Replacement Kit, TLP	G105910-028	1	€ 304.66
<i>not shown</i>	Motor, Assembly	G105910-161	2	€ 51.00
	Power Supply, 100V-240V (C5) with UK & EUR Cords	105950-076	1	€ 93.00
	Power Cord, Euro 220V, IEC320C5	105950-062	5	€ 49.00
	Power Cord, U.K. 240V, IEC320C5	105950-063	5	€ 89.00
	Ribbon Core, 4" thermal transfer	105903-053	50	€ 34.00
	Shipping Pack	105950-050	1	€ 19.00
	CD-ROM, ZPL Desktop Printers Software & Documentation	105950-053	1	€ 8.00
	CD-ROM, Service Documentation	105950-051	1	€ 210.00



CAUTION—Risk of explosion if battery is replaced with an incorrect type.
Note—Recycle batteries according to local guidelines and regulations.

R28444-Z

Item Number	Description	Part Number	Kit Quantity	Price €
R2844-Z				
1	Latch Assembly	105910-052	1	€ 39.31
2	Feed Switch/Sensor Assembly	G105910-064	3	€ 49.14
3	Upper Cover Support	G105910-066	3	€ 11.79
4	Printhead Assembly, TLP2844, TLP2844 Z, R2844 Z (203 dpi)	G105910-053	1	€ 102.00
	Print Head Cable Assembly	105910-065	1	€ 29.48
5	Head Up Sensor	G105910-072	1	€ 30.00
6	Gap/Blackline Sensor PCBA	G105910-054	3	€ 46.00
7	Platen Kit, std.	105910-055	3	€ 48.00
8	Front Bezel, std.	105917-007	10	€ 293.12
9	Front Bezel, Dispenser TLP 2844-Z , TLP 3844-Z	105917-008	1	€ 10.13
	Label Taken Sensor	G105916-001	3	€ 64.00
10	Rubber Foot Kit	105910-007	24	€ 10.00
11	Main Control PCBA, Std. Memory, Ser./Par./USB	G105917-001	1	€ 266.34
	Main Control PCBA, Std. Memory, Ser./Ethernet Ready/USB	G105917-002	1	€ 389.00
	Main Control PCBA, Full Memory, Ser./Par./USB	G105917-003	1	€ 438.00
	Main Control PCBA, Full Memory, Ser./Ethernet Ready/USB	G105917-004	1	€ 379.97
	Interface Protection Fuse, 1A	G105950-056	10	€ 24.57
	RFID Reader PCBA	G105917-005	1	€ 716.00
	Kit, Ethernet IO PCBA with cables	G105910-121	1	€ 73.00
	Kit, PrintServerII Daughter Board	G105910-123	1	€ 220.00
	Kit, 4" Ethernet Back Panel	G105910-124	1	€ 23.00
12	Battery, 3V Lithium	G105950-003	10	€ 24.00
13	Bottom Frame Assembly with RFID Antenna, w/o Platen	G105917-006	1	€ 185.00
14	Cover Hinge	G105910-074	10	€ 34.00
15	Upper Cover Assembly	105917-009	1	€ 153.00
16	Ribbon Out Sensor	G105910-067	3	€ 52.09
17	Ribbon Carriage w/o print head	G105910-061	1	€ 73.71
<i>not shown</i>	Motor	G105910-051	2	€ 51.10
	Power Supply, 100V-240V (C5) with UK & EUR Cords	105950-076	1	€ 93.00
	Power Cord, Euro 220V, IEC320C5	105950-062	5	€ 49.00
	Power Cord, U.K. 240V, IEC320C5	105950-063	5	€ 89.00
	Ribbon Core, 4" thermal transfer	105903-053	50	€ 34.00
	Shipping Pack	105950-050	1	€ 19.00
	CD-ROM, ZPL Desktop Printers Software & Documentation	105950-053	1	€ 8.00
	CD-ROM, Service Documentation	105950-051	1	€ 210.00

