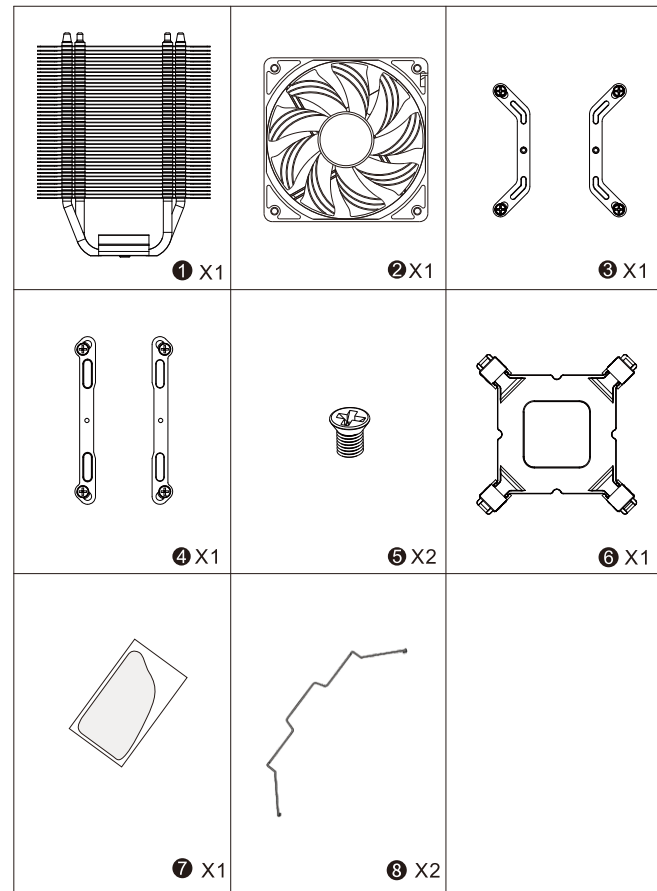




### BOREASCPUAirCooler InstructionManual

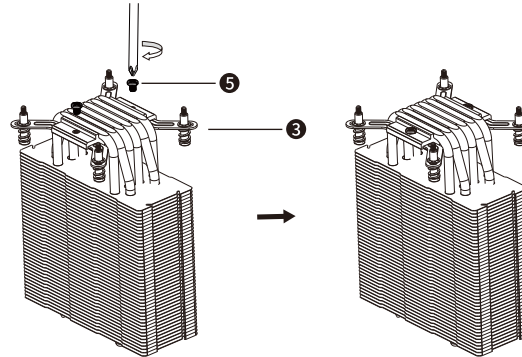
CometoLife

#### Package Contents

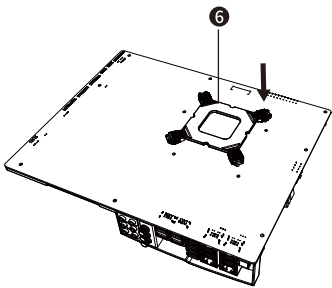


#### INTEL

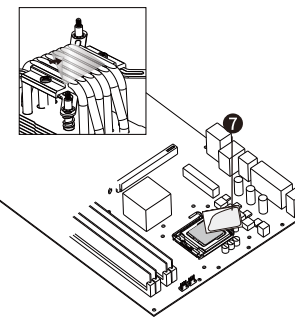
Insert the positioning screws into the corresponding holes of the Intel brackets, fixing them with nuts.



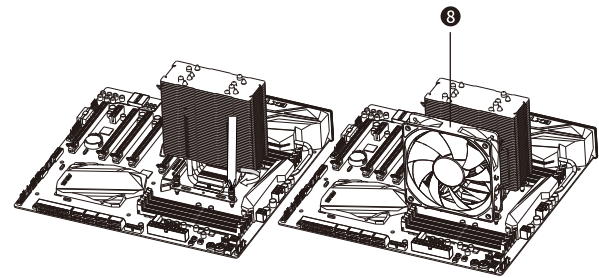
Align the CPU cooler mounting bracket and secure to the MB with screws



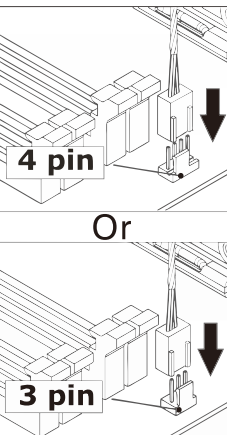
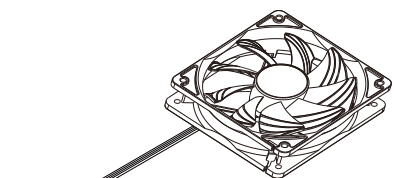
Apply thermal paste to the CPU and remove the protective film.



Secure the Intel brackets to the cooler. Then insert the fan.

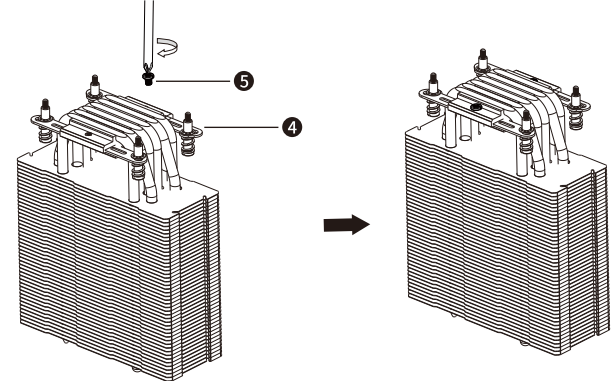


Connect the CPU fan to the mother board.

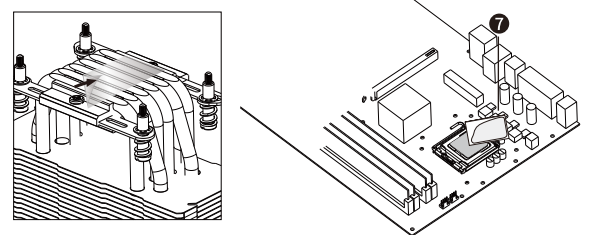


#### AMD

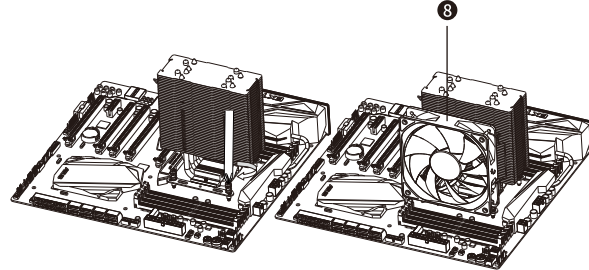
Insert the positioning screws into the corresponding holes of the AMD brackets, fixing them with nuts.



Apply thermal paste to the CPU and remove the protective



Secure the AMD brackets to the cooler. Then insert the fan.



Connect the CPU fan to the mother board.

