

SMART Board® QX Pro series with iQ



Display	
Screen sizes (diagonal)	65" 75" 86"
Backlight	LED
Aspect ratio	16:9
Maximum display resolution	4K UHD (3840 × 2160)
Refresh rate	60 Hz
Lifespan	≥ 50,000 hours
Brightness¹	490 cd/m ²
Display response time	≤ 8 ms
Viewing angle	178°
Glass	Optically bonded Anti-glare Anti-fingerprint Heat-tempered
Frame color	Black
Convenience buttons	Power Home Volume Microphone mute Freeze frame
Sensors	Proximity Ambient light Infrared Room temperature Humidity Volatile organic compound (VOC) Particulate Matter (PM _{2.5}) ²
Audio	Integrated soundbar featuring two 20 W speakers and a 15 W subwoofer Integrated linear eight-microphone array with visual mute status indicator and support for onboard acoustic echo cancellation
Video	4K, 8.28MP, ePTZ with 10× Digital Zoom, 120FOV See > SMART Ultra HD Camera 120

NFC	Integrated RFID NFC reader/writer CCID (chip card interface device) when used with a native driver for operating systems (Windows®, Linux®, and/or Mac) Supported protocols: ISO 14443A/B, ISO 15693, NFC Tag 1-4
------------	---

Interactive experience	
Touch technology	HyPr Touch™ with Advanced IR
Touch features	Simultaneous Tool Differentiation™ Object Awareness™ Pen ID™ Silktouch™ Pressure sensitive ink Palm rejection
Typical touch response time	≤ 4 ms
Frame rate	≥ 300 Hz
Accuracy	1 mm
Minimum object size	2 mm
Multitouch capabilities	40 – Windows 20 – Mac and Android™ 10 – Chrome OS™
Tools included	Pens with unique IDs and fine erasers (x2) Erasers with angle of orientation (x2)
Tool holders	Intelligent Magnetic Frame-mounted

¹Brightness of individual displays can vary.

²The display's environmental sensors are not life safety rated sensors: they provide general information only.

Software	
Included	iQ built-in Android experience SMART Meeting Pro® <ul style="list-style-type: none"> • Room license • Personal licenses (x10) SMART Product Drivers and SMART Ink® SMART Remote Management ³
Sold separately	SMART TeamWorks™

iQ built-in Android experience	
Operating system	Android version 11.0
Memory	8 GB DDR4
Storage	32 GB (up to 544 GB)
Digital whiteboard	✓
Web browser	✓
Screen sharing	✓
Other features	Personalized home screen and settings Split screen Interactive widgets Templates, graphic organizers, and manipulatives File and app libraries Environmental sensors dashboard
Ability to run third-party applications	✓
Cloud storage access	✓
NFC sign in to a SMART Account	✓
Languages supported	Basque Catalan/Valencian Chinese (simplified) Chinese (traditional) Czech Danish Dutch English Estonian Finnish French Galician German Greek Hungarian Italian Japanese Korean Latvian Lithuanian Norwegian Polish Portuguese Romanian Russian Slovak Slovenian Spanish Swedish Ukrainian Vietnamese Welsh
Updates	Automatic over-the-air (OTA)

³Subscription for the length of the included warranty

PC computing	
OPS support⁴	SMART PCM modules
PC module power supported OPS	100 W
Optional computing module	See > smarttech.com/accessories

Inputs	Front	Back
OPS PC accessory slot (100 W devices)	–	1
MicroSD slot with security cover	–	1
HDMI® 2.1 with HDCP 1.4 and HDCP 2.3 support	1	2
VGA video	–	1
Stereo 3.5 mm (variable)	–	1
RS-232 (DB-9 connector)	–	1
RJ45 (LAN IN)	–	1
USB Type-C 4K @ 60Hz, Display Port 1.2, USB 2.0 (UFP) for touch and digital audio, USB 3.2 Gen 1 (DFP) for peripherals; 65 W power delivery	1	1
USB Type-C, SuperSpeed (5 Gbps); 15 W power delivery	–	1
USB 2.0 Type-A	–	1
USB 3.2 Gen 1 Type-A (1 x front and 1 x back are switched to an active input)	1	2
USB 3.2 Gen 1 Type-B	1	3

Outputs	Front	Back
HDMI 2.1 with HDCP 1.4 and 2.3 support	–	1
Stereo 3.5 mm (variable)	–	1
S/PDIF optical (fixed)	–	1
RJ45 (LAN OUT)	–	1

Included cables and accessories	Qty
Country-specific power cable	1
16' 5" (5 m) USB 2.0 A to B cable	1
6' (1.8 m) USB4 Type-C cable, 100W	1

⁴The support and performance of third-party OPS (Open Pluggable Specification) and OPS-C modules may vary. Conduct proper compatibility testing to avoid potential issues.

Included cables and accessories	Qty
Pens	2
Erasers	2
External dual-band (2.4 and 5 GHz) antennas	3
Remote control	1
AAA batteries	2
Wall mount	1
SMART Ultra HD Camera with mounting and cable accessories	1
Illustrated installation instructions	1
Important information document	1

Connectivity

Wired	RJ45 (x2) 1000baseT
Wi-Fi	IEEE 802.11ax (Wi-Fi 6) supporting WEP, WPA, WPA2, PSK, WPA3, and 802.1X EAP authentication protocols
Bluetooth	5.2 dual mode

Storage and operating requirements

Power requirements	100V to 240V AC, 50 Hz to 60 Hz
Operating temperature	41–95°F (5–35°C)
Storage temperature	–4–140°F (–20–60°C)
Humidity	5–80% relative humidity, non-condensing

Power consumption

Typical	65": 115 W 75": 117 W 86": 135 W
Standby	<0.5 W

Certification and compliance⁵

Regulatory models	IDQX65-1 IDQX75-1 IDQX86-1
US / Canada	UL FCC ISED TSCA CONEG Packaging Proposition 65
EU / EEA / EFTA / UK	CE UKCA LVD CB EMC RED REACH RoHS Battery WEEE Packaging POP Ecodesign
Australia / New Zealand	RCM
Performance standards	ENERGY STAR® HDMI HDCP

⁵Product availability may vary by region.

This product has received additional certifications not listed here.

Purchasing information

Order numbers

SBID-QX265-P	SMART Board® QX065 Pro interactive display with iQ
SBID-QX275-P	SMART Board QX075 Pro interactive display with iQ
SBID-QX286-P	SMART Board QX086 Pro interactive display with iQ

Optional accessories

TW-SW-1	SMART TeamWorks Room perpetual software, including 1 year maintenance
TW-SW-5	SMART TeamWorks Room perpetual software, including 5 years maintenance

Other accessories See > smarttech.com/accessories

Warranty

SMART Assure or limited equipment warranty Terms and conditions and warranty upgrade options vary by region. Visit smarttech.com/warranty or contact your reseller for information.

Cable requirements

HDMI	Certified premium high speed HDMI (18 Gbps) Maximum length: 23' (7 m)
USB 2.0	USB 2.0 certified Hi-Speed (480 Mbps) support Maximum length: 16' (5 m)
USB 3.2 Gen 1	USB 3.2 Gen 1 certified SuperSpeed (5 Gbps) support Maximum length: 9' (3 m)
USB Type-C	USB 3.2 Gen 1 certified SuperSpeed (5 Gbps) support Maximum length: 6' (2 m)

More information See > docs.smarttech.com/kb/171874

Installation, dimensions, and weights

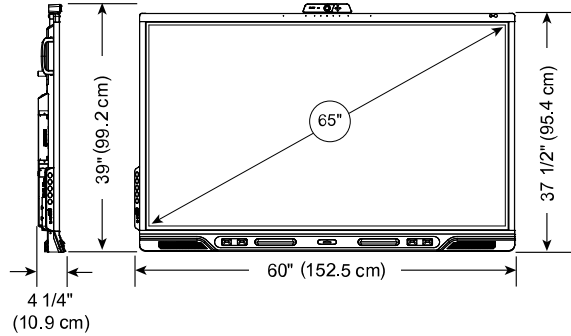
Notes

- All dimensions ± 1/8" (0.3 cm). All weights ± 2 lb. (0.9 kg).
- Product ships upright.
- Leave space around the display to ensure adequate ventilation.

See > *SMART Board QX Pro series interactive displays installation and maintenance guide* (docs.smarttech.com/kb/171874).

65" models

Dimensions



Weight

93 lb. (42 kg)

Shipping dimensions (including pallet)

65 1/2" × 46" × 7 1/8"
(166.5 cm × 117 cm × 18 cm)

Shipping weight

108 lb. (49 kg)

VESA mount

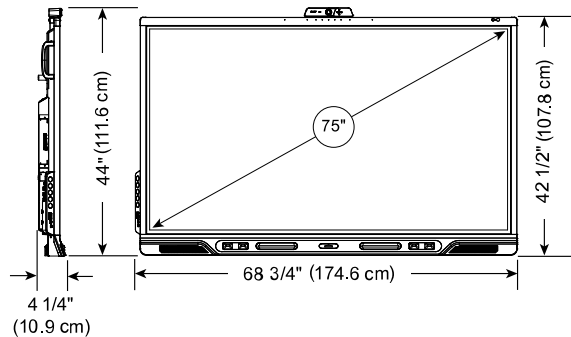
M8, 600 × 400 mm

Handles

2

75" models

Dimensions



Weight

124 lb. (56 kg)

Shipping dimensions (including pallet)

74 5/8" × 50 7/8" × 7 1/8"
(189.5 cm × 129.3 cm × 18 cm)

Shipping weight

147 lb. (67 kg)

VESA mount

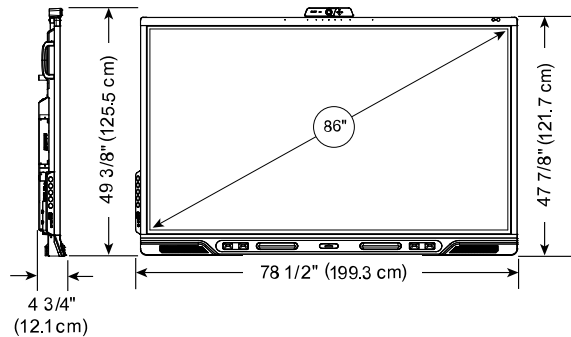
M8, 800 × 400 mm

Handles

2

86" models

Dimensions



Weight

154 lb. (70 kg)

Shipping dimensions (including pallet)

84 1/4" × 57 1/4" × 7 5/8"
(214 cm × 145.4 cm × 19.5 cm)

Shipping weight

190 lb. (86 kg)

VESA mount

M8, 800 × 600 mm

Handles

2

smarttech.com
smarttech.com/contact

© 2023 SMART Technologies ULC. All rights reserved. SMART Board, SMART Meeting Pro, SMART TeamWorks, SMART Ink, HyPr Touch, Simultaneous Tool Differentiation, Object Awareness, Pen ID, SilkTouch, smarttech, the SMART logo and all SMART taglines are trademarks or registered trademarks of SMART Technologies ULC in the U.S. and/or other countries. The Adopted Trademarks HDMI, HDMI High-Definition Multimedia Interface, and the HDMI Logo are trademarks or registered trademarks of HDMI Licensing Administrator, Inc. in the United States and other countries. The Bluetooth word mark is owned by the Bluetooth SIG, Inc. and any use of such marks by SMART Technologies ULC is under license. Android and Chrome OS are trademarks of Google Inc. All other third-party product and company names may be trademarks of their respective owners. This product and/or use thereof is covered by one or more of the following U.S. patents: www.smarttech.com/patents. Contents are subject to change without notice. December 14, 2023.