

iStorage Product Disclaimer and Warranty

iStorage warrants that on delivery and for a period of 36 months from delivery, its Products shall be free from material defects. However, this warranty does not apply in the circumstances described below. iStorage warrants that the Products comply with the standards listed in the relevant data sheet on our website at the time you place your order.

These warranties do not apply to any defect in the Products arising from:

- fair wear and tear;
- wilful damage, abnormal storage or working conditions, accident, negligence by you or by any third party;
- if you or a third party fail(s) to operate or use the Products in accordance with the user instructions;
- any alteration or repair by you or by a third party who is not one of our authorised repairers; or
- any specification provided by you.

Under these warranties we will, at our option, either repair, replace, or refund you for, any Products found to have material defects, provided that upon delivery:

- you inspect the Products to check whether they have any material defects; and
- you test the encryption mechanism in the Products.

We shall not be liable for any material defects or defects in the encryption mechanism of the Products ascertainable upon inspection on delivery unless you notify such defects to us within 30 days of delivery. We shall not be liable for any material defects or defects in the encryption mechanism of the Products which are not ascertainable upon inspection on delivery unless you notify such defects to us within 7 days of the time when you discover or ought to have become aware of such defects. We shall not be liable under these warranties if you make or anyone else makes any further use of the Products after discovering a defect. Upon notification of any defect, you should return the defective product to us. If you are a business, you will be responsible for the transportation costs incurred by you in sending any Products or parts of the Products to us under the warranty, and we will be responsible for any transportation costs we incur in sending you a repaired or replacement Product. If you are a consumer, please see our terms and conditions.

Products returned must be in the original packaging and in clean condition. Products returned otherwise will, at the Company's discretion, either be refused or a further additional fee charged to cover the additional costs involved. Products returned for repair under warranty must be accompanied by a copy of the original invoice, or must quote the original invoice number and date of purchase.

If you are a consumer, this warranty is in addition to your legal rights in relation to Products that are faulty or not as described. Advice about your legal rights is available from your local Citizens' Advice Bureau or Trading Standards office.

The warranties set out in this clause apply only to the original purchaser of a Product from iStorage or an iStorage authorized reseller or distributor. These warranties are non-transferable.

EXCEPT FOR THE LIMITED WARRANTY PROVIDED HEREIN, AND TO THE EXTENT PERMITTED BY LAW, I STORAGE DISCLAIMS ALL WARRANTIES, EXPRESS OR IMPLIED, INCLUDING ALL WARRANTIES OF MERCHANTABILITY; FITNESS FOR A PARTICULAR PURPOSE, NON-INFRINGEMENT. I STORAGE DOES NOT WARRANT THAT THE PRODUCT WILL OPERATE ERROR-FREE. TO THE EXTENT THAT ANY IMPLIED WARRANTIES MAY NONETHELESS EXIST BY OPERATION OF LAW, ANY SUCH WARRANTIES ARE LIMITED TO THE DURATION OF THIS WARRANTY. REPAIR OR REPLACEMENT OF THIS PRODUCT, AS PROVIDED HEREIN, IS YOUR EXCLUSIVE REMEDY. IN NO EVENT SHALL I STORAGE BE LIABLE FOR ANY LOSS OR ANTICIPATED PROFITS, OR ANY INCIDENTAL, PUNITIVE, EXEMPLARY, SPECIAL, RELIANCE OR CONSEQUENTIAL DAMAGES, INCLUDING, BUT NOT LIMITED TO, LOST REVENUES, LOST PROFITS, LOSS OF USE OF SOFTWARE, DATA LOSS, OTHER LOSS OR RECOVERY OF DATA, DAMAGE TO PROPERTY, AND THIRD-PARTY CLAIMS, ARISING OUT OF ANY THEORY OF RECOVERY, INCLUDING WARRANTY, CONTRACT, STATUTORY OR TORT, REGARDLESS OF WHETHER IT WAS ADVISED OF THE POSSIBILITY OF SUCH DAMAGES. NOTWITHSTANDING THE TERM OF ANY LIMITED WARRANTY OR ANY WARRANTY IMPLIED BY LAW, OR IN THE EVENT THAT ANY LIMITED WARRANTY FAILS OF ITS ESSENTIAL PURPOSE, IN NO EVENT WILL I STORAGE'S ENTIRE LIABILITY EXCEED THE PURCHASE PRICE OF THIS PRODUCT. 4823-2548-5683.3

datAshur PRO⁺C Quick Start Guide

The datAshur PRO⁺C is supplied in the 'Initial Shipment State' with no pre-set User PIN. An **8-15 digit User PIN must be created** before the drive can be used as set out below under 'First Time Use'. The datAshur PRO⁺C may need to be charged before use for 30-60 minutes by inserting into a powered USB port.

PIN Requirements:

- Must be between 8-15 digits in length
- Must not contain only repetitive numbers, e.g. (3-3-3-3-3-3-3-3)
- Must not contain only consecutive numbers, e.g. (1-2-3-4-5-6-7-8), (7-8-9-0-1-2-3-4)

First Time Use

- Press **KEY** button once.
All LEDs switch on, solid RED and blinking GREEN and BLUE LEDs.
- Press the **KEY** button **TWICE** (double-click).
LEDs switch to a blinking BLUE LED.
- Enter your New (8-15 digit) **User PIN** and press the **KEY** button **TWICE** (double-click).
Blinking BLUE LED will switch to a blinking GREEN LED.
- Re-enter your New (8-15 digit) **User PIN** and press the **KEY** button **TWICE** (double-click).
Solid RED LED will switch to a solid GREEN LED indicating the User PIN has been successfully created and drive unlocked.

To unlock the datAshur PRO⁺C with the User PIN, follow the steps as set out below.

Unlocking with the User PIN

- Press **KEY** button once.
RED LED will blink.
- Enter your **User PIN** and press the **KEY** button once.
Solid RED LED will switch to a solid GREEN LED indicating the User PIN has been successfully entered and the drive unlocked.

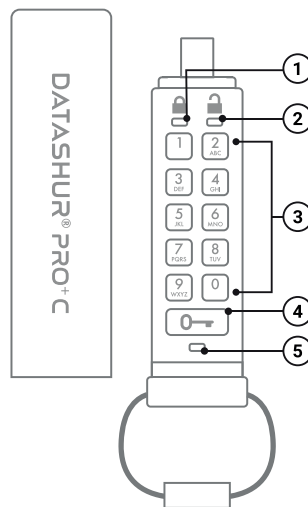
Note: Once datAshur PRO⁺C has been successfully unlocked, the solid GREEN LED will remain on for 30 seconds only, during which time the datAshur PRO⁺C needs to be connected to a powered USB port to access the drive. To configure the drive, refer to the user manual pre-loaded on your datAshur PRO⁺C.

To lock the datAshur PRO⁺C, save all data and safely eject the drive.

DATASHUR[®] PRO⁺C

Quick Start Guide

Schnellstartanleitung / Guida di avvio rapido /
Guide de démarrage rapide / Guía de inicio rápido /
クイックスタートガイド



- Red LED / Rot LED / LED Rosso / LED Rouge / LED Rojo / 赤色LED
- Green LED / Grüne LED / LED Verde / LED Verte / LED Verde / 緑のLED
- Numerical keys / Zifferntasten / Tasti numerici / touches numériques / Teclas numéricas / 数字キー
- Key button / Schlüsselknopf / Pulsante chiave / Bouton clé / Botón clave / キーボタン
- Blue LED / Blau LED / LED Blu / LED Bleue / LED Azul / 青色LED

 **DATALOCK[®] SECURED CLEVVX, LLC, U.S. PATENT**
www.istorage-uk.com/clevv-patents

datAshur PRO⁺C Schnellstartanleitung

Der datAshur PRO⁺C verfügt im Auslieferungszustand über keine voreingestellte Benutzer-PIN. Bevor das Gerät verwendet werden kann, muss daher eine **8-15-stellige Benutzer-PIN** erstellt werden. Siehe dazu die Anweisungen unter „**erstmalige Verwendung**“. Der datAshur PRO⁺C muss möglicherweise vor der Verwendung für 30-60 Minuten geladen werden, indem er an einem stromführenden USB-Anschluss angeschlossen wird.

PIN-Anforderungen:

- Zwischen 8 und 15 Stellen
- Darf nicht ausschließlich identische Zahlen enthalten, z. B. (3-3-3-3-3-3-3-3)
- Darf nicht ausschließlich fortlaufende Zahlen enthalten, z. B. (1-2-3-4-5-6-7-8), (7-8-9-0-1-2-3-4)

Erstmalige Verwendung

- Drücken Sie die Taste **KEY** einmal.
Alle LEDs werden eingeschaltet, leuchten durchgehend ROT und blinken GRÜN und BLAU.
- Drücken Sie die Taste **KEY ZWEIMAL** (Doppelklick).
Die LEDs blinken jetzt BLAU.
- Geben Sie Ihre neue (8-15-stellige) **Benutzer-PIN** ein und drücken Sie die **KEY-Taste ZWEIMAL** (Doppelklick).
Die BLAU blinkende LED blinkt jetzt GRÜN.
- Geben Sie Ihre neue (8-15-stellige) **Benutzer-PIN** erneut ein und drücken Sie die **KEY-Taste ZWEIMAL** (Doppelklick).
Die durchgehend ROT leuchtende LED leuchtet jetzt durchgehend GRÜN und zeigt an, dass die Benutzer-PIN erfolgreich erstellt und das Laufwerk entsperrt wurde.

Um den datAshur PRO⁺C mit der Benutzer-PIN zu entsperren, befolgen Sie die nachfolgenden Schritte.

Entsperren mit der Benutzer-PIN

- Drücken Sie die Taste **KEY** einmal.
Die ROTE LED blinkt.
- Geben Sie Ihre **Benutzer-PIN** ein und drücken Sie die **KEY-Taste** einmal.
Die zuvor durchgehend ROT leuchtende LED leuchtet jetzt durchgehend GRÜN und zeigt an, dass die Benutzer-PIN erfolgreich eingegeben und das Laufwerk entsperrt wurde.

Hinweis: Sobald der datAshur PRO⁺C erfolgreich entsperrt wurde, bleibt die durchgehend GRÜN leuchtende LED nur 30 Sekunden lang aktiv. In dieser Zeit muss der datAshur PRO⁺C an einen stromführenden USB-Anschluss angeschlossen werden, um auf das Laufwerk zugreifen zu können. Um das Laufwerk zu konfigurieren, lesen Sie das Handbuch, das werkseitig auf Ihrem datAshur PRO⁺C gespeichert wurde.

Um den datAshur PRO⁺C zu sperren, speichern Sie alle Daten und trennen den USB-Stick von Ihrem System (in Windows über die Funktion "Hardware sicher entfernen").

datAshur PRO°C Guida di avvio rapido

L'unità datAshur PRO°C viene fornita nello **'stato di spedizione iniziale'** senza alcun PIN utente impostato. È **necessario creare un PIN utente di 8-15 cifre** prima di utilizzare l'unità come indicato di seguito in **'Primo utilizzo'**. L'unità datAshur PRO°C deve essere caricata prima dell'uso per 30-60 minuti inserendola in una porta USB alimentata.

Requisiti minimi del PIN:

- Essere tra le 8 le 15 digit
- Non può contenere solo numeri ripetuti Es. (3-3-3-3-3-3)
- Non può contenere solo sequenze numeriche (1-2-3-4-5-6-7-8), (7-8-9-0-1-2-3-4)

Primo utilizzo

1. Premere il pulsante **CHIAVE** una volta.
Tutti i LED si accendono, il LED ROSSO fisso, VERDE e BLU lampeggianti.
2. Premere il pulsante **CHIAVE DUE VOLTE** (doppio clic).
I LED passano a un LED BLU lampeggiante.
3. Inserire il nuovo PIN utente (8-15 cifre) e premere il pulsante **CHIAVE DUE VOLTE** (doppio clic).
Il LED BLU lampeggiante diventa VERDE lampeggiante.
4. Reinserire il nuovo PIN utente (8-15 cifre) e premere il pulsante **CHIAVE DUE VOLTE** (doppio clic).
Il LED ROSSO passa a VERDE fisso per indicare che il PIN utente è stato creato correttamente e che l'unità è stata sbloccata.

Per sbloccare l'unità datAshur PRO°C con il PIN utente, procedere come indicato di seguito.

Sbloccaggio con il PIN utente

1. Premere il pulsante **CHIAVE** una volta.
Il LED ROSSO lampeggerà.
2. Inserire il PIN utente e premere il pulsante **CHIAVE** una volta.
Il LED ROSSO fisso passa a VERDE per indicare che il PIN utente è stato inserito correttamente e che l'unità è stata sbloccata.

Nota: una volta sbloccata correttamente l'unità datAshur PRO°C, il LED VERDE fisso rimane acceso solo per 30 secondi, durante i quali l'unità datAshur PRO°C deve essere collegata a una porta USB alimentata per accedere all'unità. Per configurare l'unità, consultare il manuale d'uso precaricato sull'unità datAshur PRO°C.

Per Bloccare l'unità datAshur PRO°C, salvare tutti i dati ed eseguire la rimozione sicura della chiave.

datAshur PRO°C Guía de inicio rápido

La unidad datAshur PRO°C se suministra en el **"Estado de Envío Inicial"** sin ningún PIN de usuario preestablecido. Debe crearse un **PIN de usuario de 8-15 dígitos** antes de que la unidad pueda utilizarse, según se recoge más abajo en **"Primer Uso"**. La unidad datAshur PRO°C puede necesitar cargarse ante del uso durante 30-60 minutos insertándola en un puerto USB con alimentación eléctrica.

Requisitos del PIN:

- Debe ser de entre 8-15 dígitos de longitud
- No puede incluir únicamente números repetidos, por ejemplo: (3-3-3-3-3-3-3-3)
- No puede contener únicamente números consecutivos, por ejemplo: (1-2-3-4-5-6-7-8), (7-8-9-0-1-2-3-4)

Primer uso

1. Pulse el botón **KEY** una vez.
Todos los LED se encienden, el LED fijo ROJO y el VERDE y el AZUL parpadeantes.
2. Pulse el botón **KEY DOS VECES** (doble clic).
Los LED pasan a LED AZUL parpadeante.
3. Introduzca su nuevo **PIN de usuario** (8-15 dígitos) y pulse el botón **KEY DOS VECES** (doble clic).
El LED AZUL parpadeante pasará a LED VERDE parpadeante.
4. Vuelva a introducir su nuevo **PIN de usuario** (8-15 dígitos) y pulse el botón **KEY DOS VECES** (doble clic).
El LED fijo ROJO pasará a LED fijo VERDE, lo que indica que el PIN de usuario se ha creado de forma correcta y la unidad está desbloqueada.

Para desbloquear la unidad datAshur PRO°C con el PIN de usuario, siga los pasos que se recogen a continuación.

Desbloquear con el PIN de usuario

1. Pulse el botón **KEY** una vez.
El LED ROJO parpadeará.
2. Introduzca su **PIN de usuario** y pulse el botón **KEY** una vez.
El LED fijo ROJO pasará a LED fijo VERDE, lo que indica que el PIN de usuario se ha introducido de forma correcta y se ha desbloqueado la unidad.

Remarque: una vez que la unidad datAshur PRO°C se ha desbloqueado de forma correcta, el LED VERDE fijo permanecerá encendido solo 30 segundos y durante este tiempo deberá conectar la unidad datAshur PRO°C a un puerto USB con alimentación eléctrica para acceder a la unidad. Para configurar la unidad, véase el manual de usuario precargado en su unidad datAshur PRO°C.

Para bloquear la unidad datAshur PRO°C, guarde todo los datos y extraiga de forma segura la unidad.

datAshur PRO°C Guide de démarrage rapide

La clé USB datAshur PRO°C est fournie dans l'état **« Expédition initiale »** sans aucun code PIN utilisateur prédéfini. Il faut créer un code PIN utilisateur de **8 à 15 chiffres avant de pouvoir utiliser la clé USB**, comme expliqué ci-dessous sous **« Première utilisation »**. Vous devrez sans doute charger la datAshur PRO°C pendant 30-60 minutes avant la première utilisation en l'insérant dans un port USB alimenté.

Exigences pour le code PIN:

- Doit comprendre de 8 à 15 chiffres
- Ne doit contenir aucune répétition de chiffres, par ex. (3-3-3-3-3-3-3-3)
- Ne doit pas se composer uniquement de chiffres consécutifs, par ex. (1-2-3-4-5-6-7-8), (7-8-9-0-1-2-3-4)

Première utilisation

1. Appuyez une fois sur le bouton **CLÉ**.
Toutes les LED s'allument, la ROUGE en continu, et les LED VERTE et BLEUE par intermittence.
2. Appuyez **DEUX FOIS** sur le bouton **CLÉ** (double-clic).
Les LED passent au BLEU clignotant.
3. Entrez votre nouveau **code PIN utilisateur** (8 à 15 chiffres) et appuyez sur le bouton **CLÉ DEUX FOIS** (double-clic).
La LED BLEUE clignotante devient VERTE clignotante.
4. Entrez à nouveau votre nouveau **code PIN utilisateur** (8 à 15 chiffres) et appuyez **DEUX FOIS** sur le bouton **CLÉ** (double-clic).
La LED ROUGE passe au VERTE continu, indiquant que le code PIN utilisateur a bien été créé et que la clé est déverrouillée.

Pour déverrouiller la dataAshur PRO°C avec le code PIN utilisateur, suivez les étapes décrites ci-dessous.

Déverrouillage à l'aide du code PIN utilisateur

1. Appuyez une fois sur le bouton **CLÉ**.
La LED ROUGE clignote.
2. Saisissez votre **code PIN utilisateur** et appuyez une fois sur le bouton **CLÉ**.
La LED ROUGE passe au VERTE continu, indiquant que le code PIN utilisateur a bien été créé et que la clé est déverrouillée.

Remarque: Une fois que la dataAshur PRO°C a été déverrouillée avec succès, la LED VERTE continue reste allumée pendant 30 secondes seulement, pendant lesquelles la datAshur PRO°C doit être connectée à un port USB alimenté pour accéder à la clé. Pour configurer la clé, reportez-vous au manuel d'utilisation préchargé sur votre dataAshur PRO°C.

Pour verrouiller la clé USB datAshur PRO°C, enregistrez toutes les données et éjectez-la de façon sécurisée.

datAshur PRO°C クイックスタートガイド

datAshur PRO°C ドライブは、事前設定されたユーザー PIN がない「初期出荷状態」で提供されます。したがって、下の「使用開始」で説明するように、ドライブを使用する前に、8~15桁のユーザー PIN を作成する必要があります。datAshur PRO°C は、使用開始前に給電用 USB ポートに挿入して、30~60 分間充電しておく必要があります。

PIN の要件:

- 長さは 8~15桁の範囲内であること
- 同じ数字のみを繰り返す番号ではないこと、例: (3-3-3-3-3-3-3-3)
- 通し番号ではないこと、例: (1-2-3-4-5-6-7-8), (7-8-9-0-1-2-3-4)

使用開始

1. キーボタンを 1 回押します。
すべての LED スイッチがオンになり、赤の LED が点灯し、緑と青の LED が点滅します。
2. キーボタンを 2 回押します (ダブルクリック)。
LED が青の LED の点滅に変わります。
3. 新しい (8~15桁) のご自分のユーザー PIN を入力して、キーボタンを 2 回押します (ダブルクリック)。
点滅する青の LED が点滅する緑の LED に変わります。
4. 新しい (8~15桁) のご自分のユーザー PIN をもう一度入力して、キーボタンを 2 回押します (ダブルクリック)。
点灯中の赤の LED が緑色に変わり、ユーザー PIN が正常に作成されたことを示して、ドライブのロックが解除されます。

ユーザー PIN を使って、datAshur PRO+C のロックを解除するには、以下の手順に従ってください。

ユーザー PIN によるロック解除

1. キーボタンを 1 回押します。
赤の LED が点滅します。
2. ユーザー PIN を入力し、キーボタンを 1 回押します。
点灯中の赤の LED が緑色に変わり、ユーザー PIN が正常に入力されたことを示して、ドライブのロックが解除されます。

注記: いったん datAshur PRO°C が正常にロック解除されると、点灯中の緑の LED は 30 秒間だけ点灯しつづけます。ドライブにアクセスするには、この間に datAshur PRO°C を給電用 USB ードに接続する必要があります。ドライブの設定を行うには、ご使用の datAshur PRO°C にプレインストールされた「ユーザー マニュアル」を参照してください。

datAshur PRO°C をロックするには、全データを保存してからドライブを安全に取り出します。