



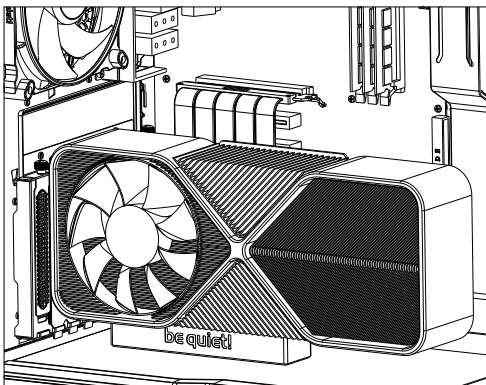
RISER CABLE

For vertical graphics card installation

The be quiet! Riser Cable allows for easy vertical installation of PCIe 4.0 graphics cards, thanks to its simple and universal design and high-quality construction. The supporting foam base prevents the graphics card from flapping around and automatically adjusts to the required height, within a few millimeters.

Highlights

- Flexible cables for convenient installation without tangles
- Support base prevents sagging
- High-speed data transfer for PCIe 4.0 cards
- Elegant look with all-black design
- Proven to work in all be quiet! cases with vertical GPU mounting option
- Required for vertically installed graphics card
- 3-year manufacturer's warranty
- Product conception, design, and quality control in Germany



Technical Data	
Article No.	BGA12
EAN code	4260052190227
Overall dimensions (L x W x H in mm)	158 x 108 x 31
Compatibility with be quiet! cases	Dark Base 901 series, Dark Base 700 series, Silent Base 801 series, Silent Base 601 series

Contact	
be quiet! Headquarters	Service hotline: +49 40 7367 686 44
Listan GmbH Wilhelm-Bergner-Straße 11c 21509 Glinde Germany	e-mail: service@bequiet.com Visit the contact section on bequiet.com for the right regional service information.