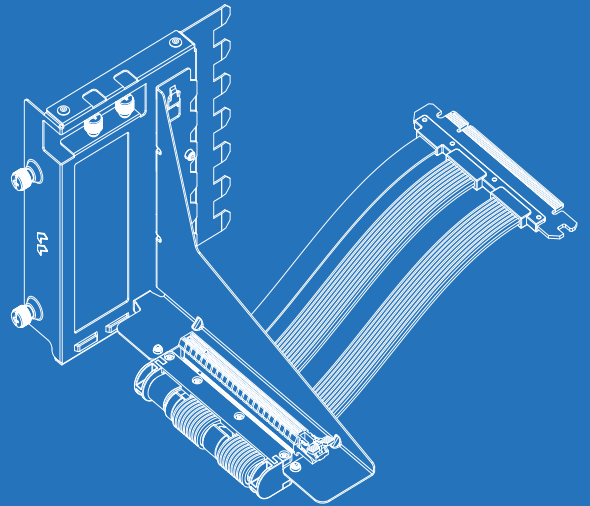


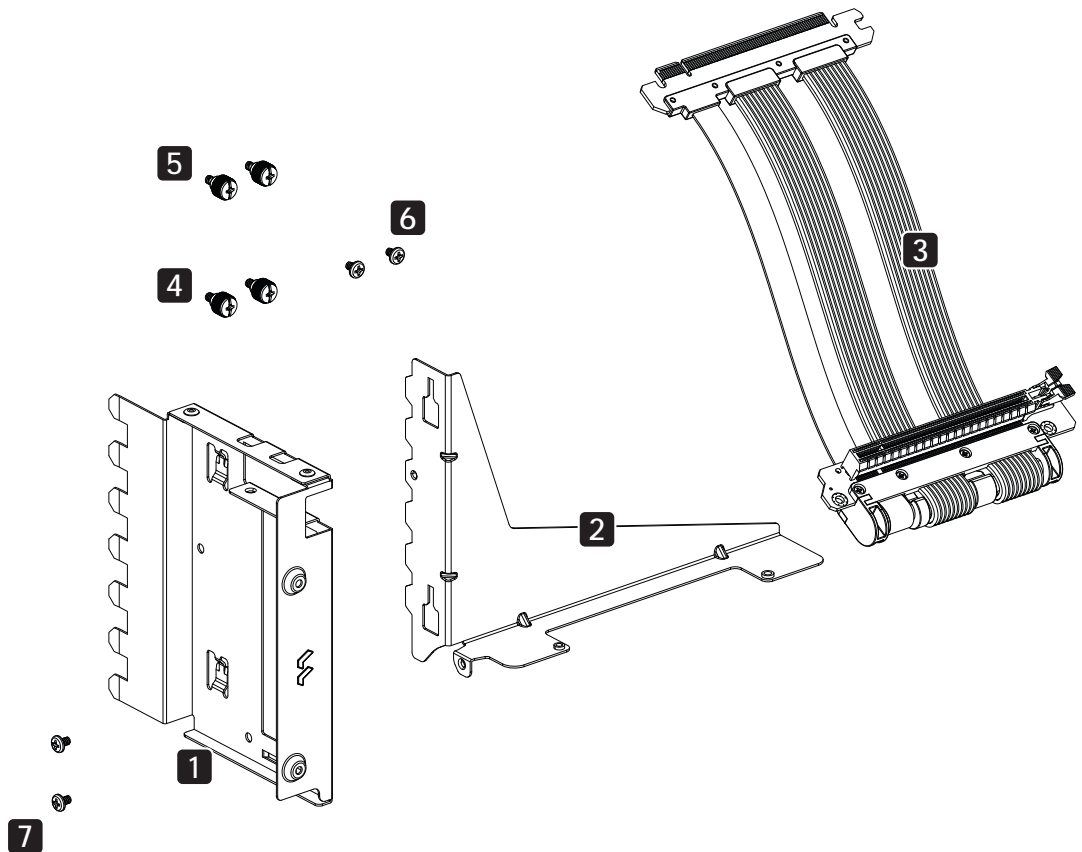
Flex 2

PCIe 4.0 Vertical Riser Bracket

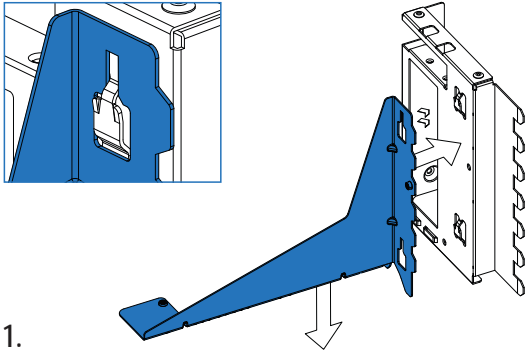


Contents

- 1** PCI Slot Cover Bracket
- 2** GPU Support Bracket
- 3** Flexible PCIe 4.0 Riser Cable
- 4** 2 x 6-32 Thumbscrew for PCI Cover
- 5** 2 x 6-32 Captive Thumbscrew
- 6** 2 x 6-32 Screw for Riser Cable
- 7** 2 x 6-32 Screw for Bracket

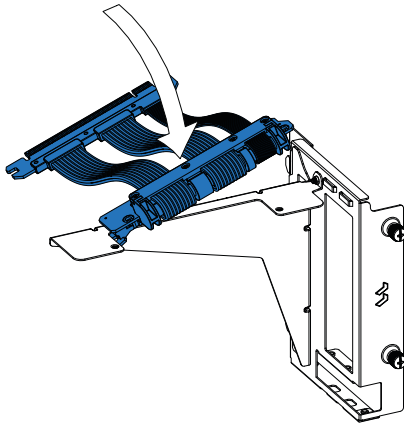


Insert GPU Support Bracket in PCI Slot Cover Bracket



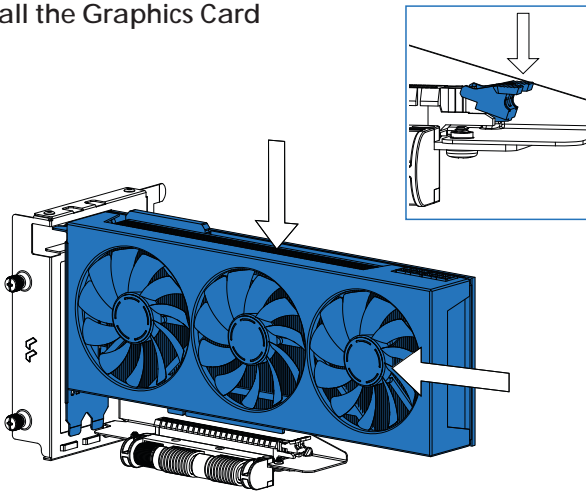
1.

Add PCIe Riser Cable



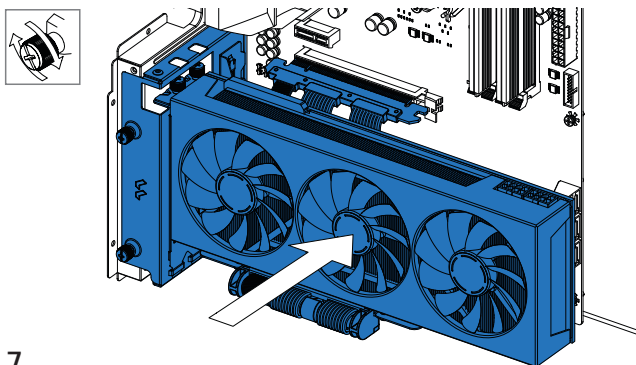
3.

Install the Graphics Card



5.

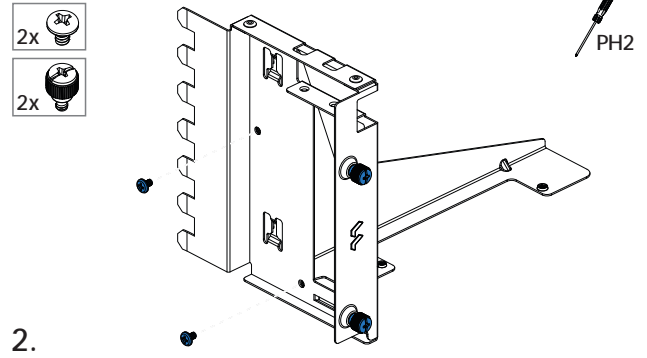
Mount Flex 2 Bracket in the Case



7.

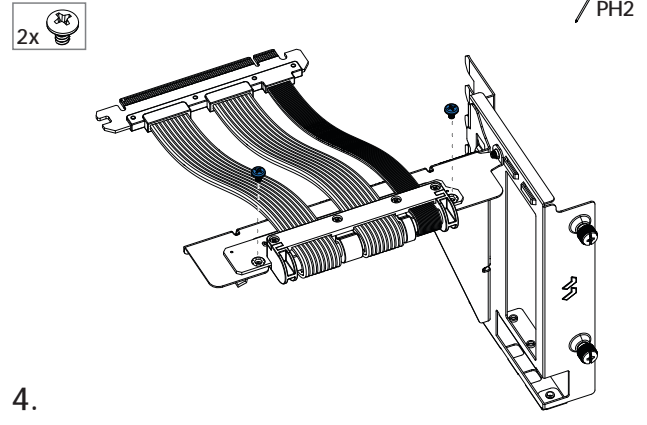


Insert 2 x Screw (6-32) and 2 x Captive Thumbscrew



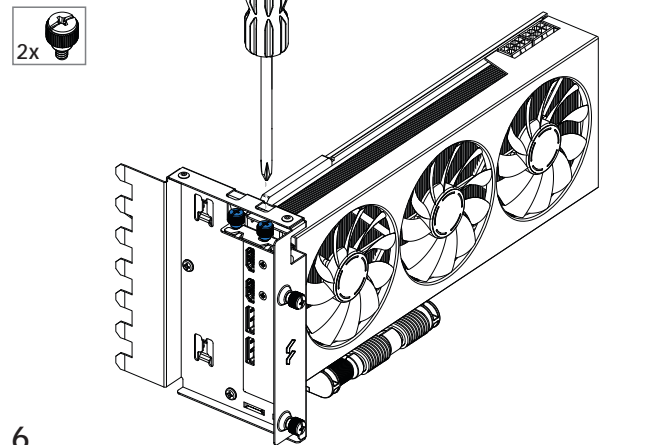
2.

Insert 2 x Screw (6-32) for Riser Cable



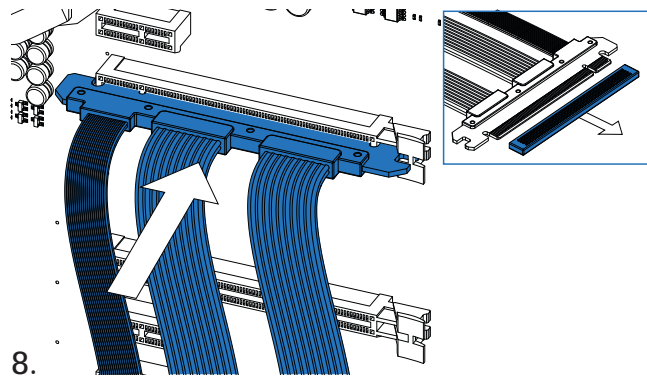
4.

Insert 2 x Thumbscrew in PCI Slot Cover Bracket



6.

Connect PCIe 16x Riser Cable to Motherboard



8.