

Articulated TV Wall Mount up to 65 in and 99 lb - VESA Compatible



**Actual product may vary from photos*

User Manual

SKU: TV-Wall-Mount-65FS

For the latest information and specifications visit
www.StarTech.com/TV-Wall-Mount-65FS

Compliance Statements

Use of Trademarks, Registered Trademarks, and other Protected Names and Symbols

This manual may make reference to trademarks, registered trademarks, and other protected names and/or symbols of third-party companies not related in any way to StarTech.com. Where they occur these references are for illustrative purposes only and do not represent an endorsement of a product or service by StarTech.com, or an endorsement of the product(s) to which this manual applies by the third-party company in question. Regardless of any direct acknowledgement elsewhere in the body of this document, StarTech.com hereby acknowledges that all trademarks, registered trademarks, service marks, and other protected names and/or symbols contained in this manual and related documents are the property of their respective holders.

PHILLIPS® is a registered trademark of Phillips Screw Company in the United States or other countries.

Safety Statements

Safety Measures

- Product installation and/or mounting should be completed by a certified professional as per the local safety and building code guidelines.

Mesures de sécurité

- L'installation et/ou le montage du produit doit être réalisé par un professionnel certifié et dans le respect des normes locales et du code de construction local.

安全対策

- 製品の設置やマウントは、使用地域の安全ガイドラインおよび建築基準に従い、有資格の専門業者が行うようにしてください。

Misure di sicurezza

- L'installazione e/o il montaggio dei prodotti devono essere eseguiti da un tecnico professionale certificato che conosca le linee guida locali sulle norme edilizie e sulla sicurezza.

Säkerhetsåtgärder

- Installation och/eller montering får endast göras av behöriga yrkespersoner och enligt gällande lokala förordningar för säkerhet och byggnormer.

Warning Statements

- Assemble this product according to the instructions.
- Read the entire manual and ensure the instructions are fully understood before assembling and/or using this product.
- Do not exceed the weight capacity of this product. Overloading this product might result in injury or property damage.
- Weight capacity of the mount: 99 lb (45 kg).
- Do not allow children to climb on this product, or use this product without proper supervision.
- This product is intended for indoor use only and should not be used outdoors.
- Do not over-tighten the screws. If any resistance is encountered, stop tightening.
- Assembling this product is a two-person task. Do not attempt to assemble this product and install equipment without assistance.
- Before adding equipment to this product, ensure the product has been properly assembled, and that the product can support the weight of the added equipment.
- Make sure all of the equipment has been properly secured before adjusting this product.

Varningsmeddelanden

- Se till att du monterar produkten i enlighet med instruktionerna.
- Läs hela manualen och se till att du förstår instruktionerna innan du börjar montera och använda produkten.
- Överskrid inte produktens viktkapacitet. Överbelastning av produkten kan orsaka skada på person eller egendom.
- Fästets viktkapacitet: 99 lb (45 kg).
- Låt inte barn klättra på produkten eller använda produkten utan uppsikt.
- Produkten är endast avsedd för användning inomhus och ska inte användas utomhus.
- Dra inte åt skruvarna för hårt när du monterar produkten. Om du måste ta i när du skruvar åt kan du sluta skruva åt.
- Det krävs Monitorå personer för att montera produkten. Försök inte montera produkten och installera utrustning utan hjälp.
- Innan du lägger till utrustning på produkten, se till att produkten är korrekt monterad, installerad och att produkten klarar av vikten på utrustningen som du lägger till.
- Se till att all utrustning är korrekt installerad innan du börjar justera

produkten.

- Klämrisk! Håll fingrarna borta från rörliga komponenter.

Waarschuwingen

- Zorg dat u dit product volgens de instructies in elkaar zet.
- Lees de gehele handleiding en zorg dat u de instructies begrijpt voordat u dit product in elkaar zet en gebruikt.
- Overschrijd de maximale capaciteit van dit product niet. Overbelasting van dit product kan letsel of materiële schade veroorzaken.
- Draagvermogen van de steun: 99 lb (45 kg).
- Geef kinderen geen toestemming om op dit apparaat te klimmen of dit product zonder goed toezicht te gebruiken.
- Dit product is alleen bedoeld voor binnengebruik en mag niet buiten worden gebruikt.
- Draai de schroeven niet te strak vast wanneer u dit product in elkaar zet. Als u weerstand voelt tijdens het vastdraaien van de schroeven, stop dan.
- Dit product moet met twee personen in elkaar worden gezet. Probeer dit product niet zonder hulp in elkaar te zetten en apparatuur te installeren.
- Voordat u apparatuur aan dit product toevoegt, moet u ervoor zorgen dat u het op de juiste manier in elkaar hebt gezet en geïnstalleerd, en dat het product het gewicht van de toe te voegen apparatuur kan ondersteunen.
- Gevaar voor beknelling! Houd uw vingers weg van de bewegende onderdelen als u.

注意

- 必ず取扱説明書に従って本製品の組み立てを行って下さい。
- 最初に取扱説明書を最後まで読み、本製品の組み立て方をすべて理解してから組み立て作業を始めて下さい。
- 本製品で定められた最大積載重量を超えないようにして下さい。最大積載重量をオーバーした場合、怪我をする恐れや器物破損の恐れがあります。
- マウントの耐荷重: 99 lb (45 kg).
- 本製品に小さなお子様が乗って遊ばないようにして下さい。お子様が使用する際には、適切な監視を怠らないようにして下さい。
- 本製品は、室内での使用を想定しています。戸外では使用しないで下さい。
- 本製品を組み立てる際、ネジを締めすぎないようにして下さい。ネジを締めているうちに手応えを感じたら、締めるのを止めてください。
- 本製品は、二人がかりでの組み立てを想定しています。手助けなしに単独で組み立てと設置を行わないで下さい。
- 危険! 可動部品に近づかないでください。

Dichiarazioni di avvertenza

- Assicurarsi di Assemblare il prodotto secondo le istruzioni.
- Leggere l'intero manuale e assicurarsi di aver compreso tutte le istruzioni prima di iniziare ad assemblare e a utilizzare questo prodotto.
- Non superare la capacità di carico del prodotto. Il sovraccarico del prodotto potrebbe causare danni o lesioni.
- Capacità di peso della montatura: 99 lb (45 kg).
- Non consentire ai bambini di arrampicarsi sul prodotto o di utilizzarlo senza un'adeguata supervisione.
- Il prodotto è destinato all'uso in ambienti interni. Se ne sconsiglia l'impiego in ambienti esterni.
- Durante l'assemblaggio del prodotto, non stringere troppo le viti. Se si incontra resistenza mentre si stringono le viti, interrompere l'operazione.
- L'assemblaggio di questo prodotto richiede la presenza di due persone. Non tentare di assemblare il prodotto e installare le apparecchiature senza assistenza.
- Prima di aggiungere altre apparecchiature al prodotto, assicurarsi di averlo assemblato e installato correttamente e che sia in grado di sostenere il peso dell'apparecchiatura in questione.
- Pericolo di Schiacciamento! Tenere lontane le dita da parti in movimento.

Avvertissements

- Assemblez ce produit conformément aux instructions.
- Lisez tout le manuel et assurez-vous que vous comprenez les instructions avant de commencer à assembler et utiliser ce produit.
- Ne dépassez pas la capacité pondérale du produit. Une surcharge du produit peut entraîner des blessures ou des dommages matériels.
- Capacité de poids de la monture: 99 lb (45 kg).
- N'autorisez pas les enfants à grimper sur ce produit ni à l'utiliser sans surveillance.
- Ce produit est uniquement destiné à une utilisation en intérieur et ne doit pas être utilisé à l'extérieur.
- Ne serrez pas trop les vis lors de l'assemblage de ce produit. Si vous rencontrez une résistance lors du serrage des vis, cessez de serrer.
- L'assemblage de ce produit nécessite deux personnes. Ne tentez pas d'assembler le produit et d'installer les équipements sans aide.
- Avant d'ajouter des équipements au produit, vérifiez que vous l'avez correctement assemblé et installé, et que le produit peut supporter le poids des équipements que vous y ajoutez.
- Risque de pincement ! Ne pas approcher les doigts des composants mobiles.

Mensagens de aviso

- Certifique-se de que monta este produto de acordo com as instruções.
- Leia todo o manual e certifique-se de que entende as instruções antes de começar a montar e a utilizar este produto.
- Não exceda a capacidade de peso deste produto. Sobrecarregar este produto pode resultar em ferimentos ou danos de propriedade.
- Capacidade de peso da montagem: 99 lb (45 kg).
- Não deixar as crianças trepar neste produto ou utilizar este produto sem a devida supervisão.
- Este produto destina-se apenas a uma utilização no interior e não deve ser utilizado no exterior.
- Quando montar este produto, não aperte demasiado os parafusos. Se encontrar resistência enquanto aperta os parafusos, pare de apertar.
- Montar este produto é uma tarefa para duas pessoas. Não tentar montar este produto e instalar o equipamento sem assistência.
- Antes de adicionar o equipamento a este produto, certifique-se de que o montou e instalou devidamente e de que o produto pode suportar o peso do equipamento que está a adicionar ao mesmo.
- Risco de dedos trilhados! Mantenha os dedos afastados dos componentes em movimento.

Advertencias de uso

- Asegúrese de ensamblar este producto según las instrucciones.
- Lea todo el manual y asegúrese de haber comprendido bien las instrucciones antes de proceder con el ensamblaje y el uso de este producto.
- Asegúrese de no exceder la capacidad de peso de este producto. La sobrecarga de este producto puede causar lesiones personales o daños en la propiedad.
- Capacidad de peso del soporte: 99 lb (45 kg).
- No permita que los niños se suban a este producto o que lo utilicen sin la debida supervisión de un adulto.
- El uso de este producto es solo para interiores y no debe utilizarse en exteriores.
- Cuando ensamble este producto, no apriete los tornillos más de lo debido. Si al apretar los tornillos siente resistencia, no los apriete más.
- Se requieren dos personas para el ensamblaje de este producto. No intente ensamblar este producto e instalar otros equipos sin la debida asistencia de otra persona.
- Antes de instalar equipos en este producto, asegúrese de haberlo

ensamblado correctamente, a fin de que pueda soportar el peso del equipo que vaya a instalar.

- ¡Peligro de Aplastamiento! Mantenga sus dedos alejados de las partes móviles.

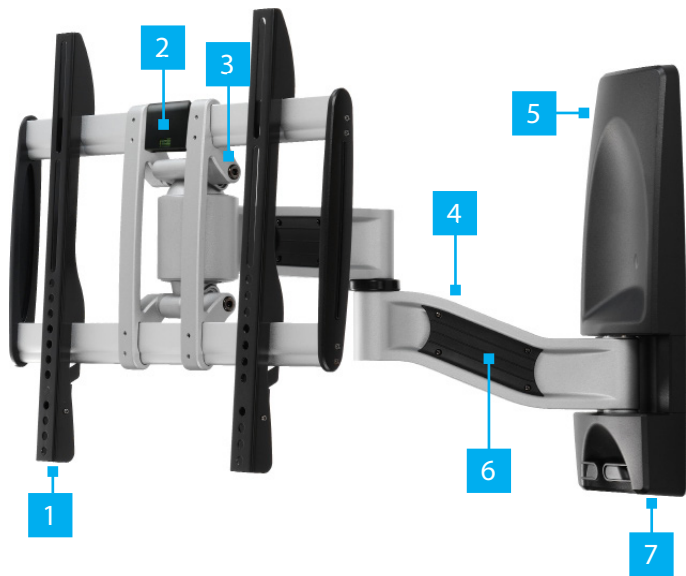
Warnhinweise

- Beachten Sie bei der Montage dieses Produkts die Montageanweisungen.
- Bevor Sie dieses Produkt montieren und verwenden, lesen Sie das gesamte Handbuch und vergewissern Sie sich, dass Sie die Anweisungen verstanden haben.
- Überschreiten Sie nicht die Tragkraft dieses Produkts. Ein Überladen dieses Produkts kann zu Verletzungen oder zur Beschädigung des Produkts führen.
- Gewichtskapazität der Halterung: 99 lb (45 kg).
- Gestatten Sie Kindern nicht, auf das Produkt zu klettern oder das Produkt ohne Aufsicht zu benutzen.
- Dieses Produkt ist nur zum Gebrauch in Innenräumen vorgesehen und sollte nicht im Freien verwendet werden.
- Achten Sie bei der Montage des Produkts darauf, die Schrauben nicht zu fest anzuziehen. Sobald Sie beim Anziehen der Schrauben auf Widerstand stoßen, stellen Sie das Anziehen ein.
- Die Montage dieses Produkts ist auf die Ausführung von zwei Personen ausgelegt. Versuchen Sie nicht ohne Hilfe, dieses Produkt zu montieren und Geräte zu installieren.
- Bevor Sie Geräte zu diesem Produkt hinzufügen, vergewissern Sie sich, dass Sie es ordnungsgemäß montiert und installiert haben und dass das Produkt das Gewicht der Geräte, die Sie hinzufügen möchten, tragen kann.
- Einklemmgefahr! Halten Sie Ihre Finger fern von beweglichen Teilen.

Table of Contents

| | |
|---|------------|
| Compliance Statements | i |
| Safety Statements | ii |
| Warning Statements | iii |
| Product Diagram | 1 |
| Product Dimensions | 2 |
| Front View | 2 |
| Top View | 2 |
| Side View | 3 |
| Product Information | 4 |
| Requirements | 4 |
| Package Contents | 5 |
| Installation | 7 |
| Remove the Decorative Covers | 7 |
| Mounting the Wall Mount Assembly | 8 |
| Fasten the Wall Mount Assembly to a Stud Wall | 9 |
| Fasten the Wall Mount Assembly to a Concrete Wall | 11 |
| Install the Decorative Covers | 13 |
| Mount the TV | 14 |
| Attach a TV to the Wall Mount Assembly | 16 |
| Cable Management | 17 |
| Operation | 18 |
| Adjust the Tilt | 19 |
| Adjust the Swivel | 20 |
| Warranty Information | 21 |
| Limitation of Liability | 21 |

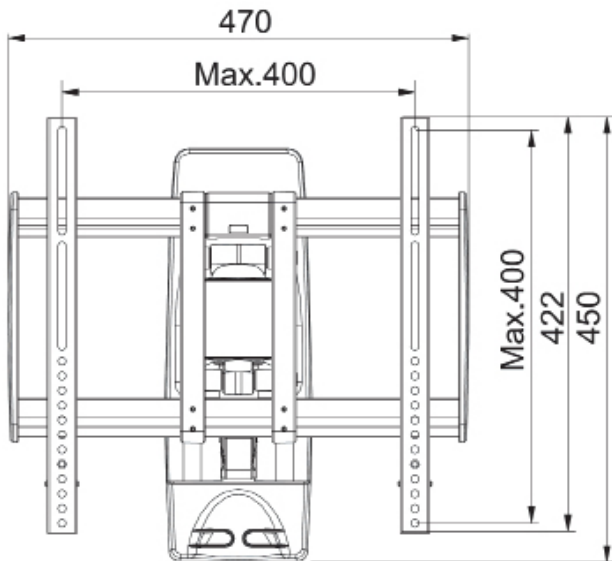
Product Diagram



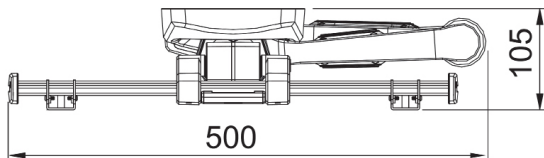
| | | | |
|---|------------------------------|---|------------------------------------|
| 1 | <i>VESA Vertical Bracket</i> | 5 | <i>Upper Decorative Cover</i> |
| 2 | <i>Spirit Level</i> | 6 | <i>Cable Management Attachment</i> |
| 3 | <i>Tilt Adjustment Screw</i> | 7 | <i>Lower Decorative Cover</i> |
| 4 | <i>Wall Mount Assembly</i> | | |

Product Dimensions

Front View

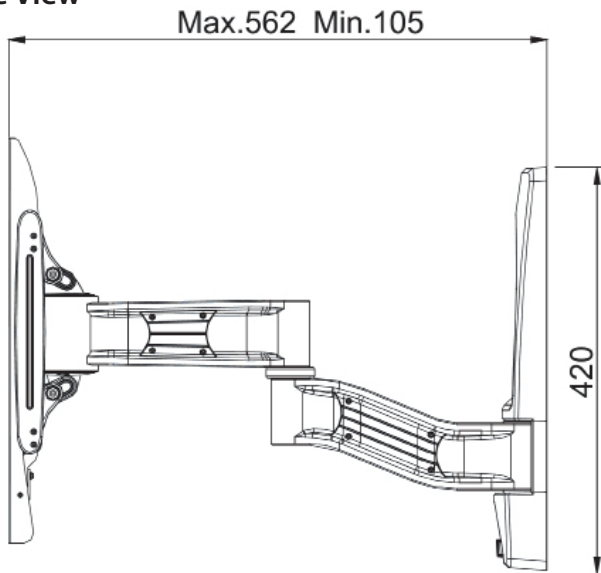


Top View



Product Dimensions

Side View



Product Information

Requirements

For the latest product information, technical specifications, manuals, and Declarations of Conformance, please visit:

www.StarTech.com/TV-WALL-MOUNT-65FS





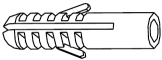



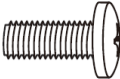
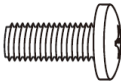

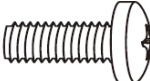
TV

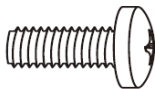
- Maximum weight of 99 lb (45 kg)
- Maximum display size of 65"
- Compatible VESA mounting hole pattern
 - VESA Plate: 200x100, 200x200, 200x300, 200x400, 300x200, 300x300, 400x200, 400x300, and 400x400

Tools

- Phillips head screwdriver

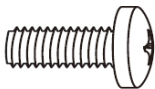
Package Contents

| | | | |
|---|---|--|---|
|  <p>Wall Mount Assembly</p> <p>Qty: 1</p> |  <p>Vertical Brackets</p> <p>Qty: 2</p> |  <p>6 mm Hex Key</p> <p>Qty: 1</p> |  <p>Vertical Brackets Screws</p> <p>Qty: 2</p> |
|  <p>Concrete Anchors</p> <p>Qty: 8</p> |  <p>Wall Mounting Screws</p> <p>Qty: 8</p> |  <p>M4 x 12 mm Screws</p> <p>Qty: 4</p> |  <p>M4 x 18 mm Screws</p> <p>Qty: 4</p> |
|  <p>M5 x 12 mm Screws</p> <p>Qty: 4</p> |  <p>M6 x 12 mm Screws</p> <p>Qty: 4</p> |  <p>M6 x 18 mm Screws</p> <p>Qty: 4</p> |  <p>M8 x 12 mm Screws</p> <p>Qty: 4</p> |



M8 x 18 mm
Screws

Qty: 4



M8 x 25 mm
Screw

Qty: 4



Flat Washers

Qty: 4



Mounting
Template

Qty: 1

StarTech.com
Hard-to-find made easy®

Download USER MANUALS on our WEB: www.startech.com



User Manual
SKU: TM-1000-000000000000

User Manual

Qty: 1

Installation

Remove the Decorative Covers

1. Before installing the **Wall Mount Assembly**, remove the two **Decorative Covers** from the **Wall Mount Plate**.
 - While **Pressing Both Sides** at the **Bottom** of the **Upper Decorative Cover**, slide **Up** from the **Wall Mount Plate** to remove it. (Figure 1)
 - While **Pressing Both Sides** at the **Top** of the **Lower Decorative Cover**, slide **Down** from **Wall Mount Assembly** to remove it. (Figure 1)

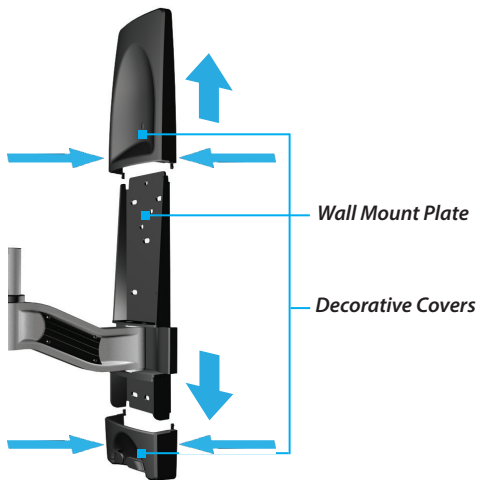


Figure 1

Mounting the Wall Mount Assembly

Warning! *The Wall Mount Assembly is designed to be installed on a wood stud, solid concrete, or cinder block wall. The wall structure should be capable of supporting at least four times the weight of the mounted equipment.*

The included mounting hardware may not be adequate for installation on different wall types not indicated here. Always consult a construction professional before installing the Wall Mount Assembly. Failure to do so may result in personal injury or equipment damage.

Note: *Before mounting the Wall Mount Assembly, review the Cable Management section on page 13. It may be advantageous for the installation to pre-route the TV Cables in advance.*

For stud wall installations, consider the 1.02 in (26 mm) between holes indicated in Figure 2. If the stud is too narrow, the edges of the stud may split and won't support the weight.

The following tools are needed

- Stud finder. For stud wall installations.
- Bubble level.
- Pencil
- Hammer. For concrete wall installations.
- Power drill.
- 1/2 in (13 mm) wrench.
- 15/64 in (~6 mm) wood drill bit. Minimum 2.5 in (65 mm) long.
- A 15/32 in (~12 mm) concrete drill bit. Minimum 2.5 in (65 mm) long.

Fasten the Wall Mount Assembly to a Stud Wall

1. Using the **Wall Stud Finder**, find an available **Stud** to fix the **Wall Mount Assembly**.

Note: Ensure there are no obstructions to prevent the **Wall Mount Assembly** from reaching the full range of motion.

2. Place the **Mounting Template** on the wall. Center the **Mounting Template** on the middle of the **Stud**. Use the **Bubble Level** to ensure the **Mounting Template** is vertical.
3. Use the **Pencil** to perforate the **Green Markings** on the **Mounting Template** and mark the locations for drilling. The **X** is the center of the hole. (Figure 2)

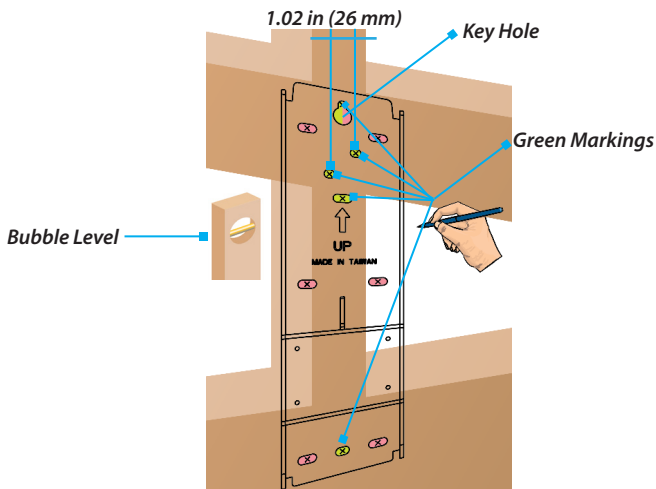


Figure 2

4. Use the reference marks from **Step 3** to drill five **2.5 in (65 mm)** deep holes on the **Stud** using a **Power Drill** and the **15/64 Drill Bit**.
5. Insert one of the **Wall Mounting Screws** in the **Top** drilled hole and use the **1/2 in (13 mm) Wrench** to tighten the screw. Leave a **~ 0.16 in (4 mm) Gap** between the wall and the head of the screw.
6. Hang the **Wall Mount Assembly** onto the **Wall Mounting Screw** from **Step 5** using the **Key Hole** at the top of the **Wall Mount Assembly**.
7. Use the **Bubble Level** to ensure the **Wall Mount Assembly** is **Vertical** to the wall.
8. Insert the rest of the **Wall Mounting Screws** (x 4) through the **Wall Mount Plate**. Tighten all the **Wall Mounting Screws** (x 5) with the **1/2 in (13 mm) Wrench** to fasten the **Wall Mount Assembly** to the **Stud**. (Figure 3)

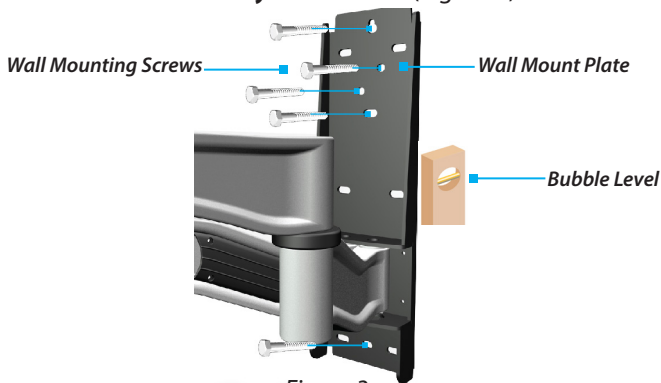


Figure 3

Fasten the Wall Mount Assembly to a Concrete Wall

1. Determine a suitable location to mount the **Wall Mount Assembly**.

Note: Ensure there are no obstructions to prevent the Wall Mount Assembly from reaching the full range of motion.

2. Place the **Mounting Template** on the wall and use the **Bubble Level** to ensure the **Mounting Template** is vertical.
3. Use the **Pencil** to perforate the **Red Markings** on the **Mounting Template** and mark the locations for drilling. The **X** is the center of the hole. (Figure 4)

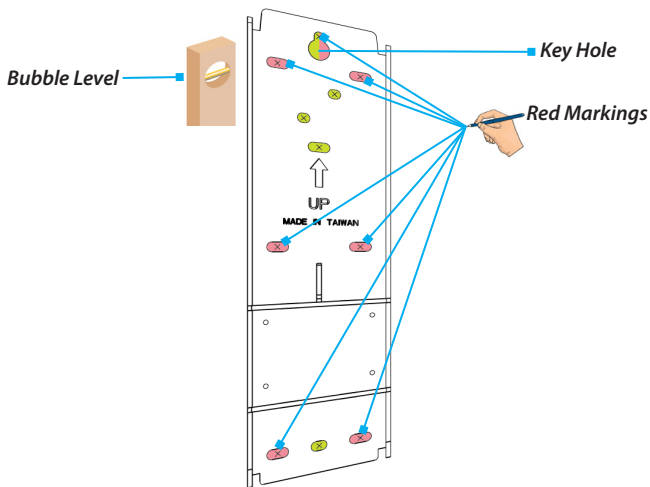


Figure 4

4. Use the reference marks from **Step 3** to drill five **2.5 in (65 mm)** deep holes on the **Stud** using a **Power Drill** and the **15/32 Drill Bit**.
5. Insert the **Concrete Anchors** into the newly drilled holes with the help of a **Hammer**.
6. Insert one of the **Wall Mounting Screws** in the **Top** drilled hole and use the **1/2 in (13 mm) Wrench** to tighten the screw. Leave a ~ **0.16 in (4 mm) Gap** between the wall and the head of the screw.
7. Hang the **Wall Mount Assembly** onto the **Wall Mounting Screw** from **Step 5** using the **Key Hole** at the top of the **Wall Mount Assembly**.
8. Use the **Bubble Level** to ensure the **Wall Mount Assembly** is **Vertical** to the wall.
9. Insert the rest of the **Wall Mounting Screws** (x 6) through the **Wall Mount Plate**. Tighten all the **Wall Mounting Screws** (x 7) with the **1/2 in (13 mm) Wrench** to fasten the **Wall Mount Assembly** to the **Wall**. (Figure 5)

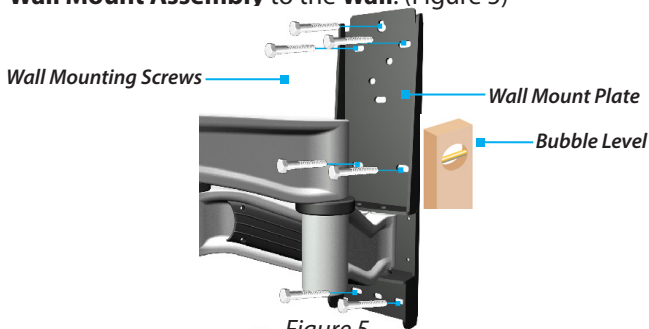


Figure 5

Install the Decorative Covers

1. Attach the **Upper** and **Lower Decorative Covers** by sliding each **Decorative Cover** along the **Wall Mount Plate** until the **Tabs** of each **Decorative Cover** snaps into place. (Figure 6)

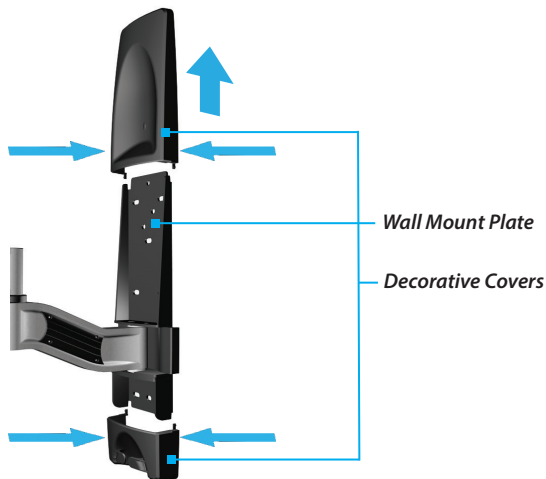


Figure 6

Mount the TV

1. Carefully place the **TV** on a protective/soft surface with the **VESA Mounting Points** at the back of the **TV** facing **Up**.
2. Remove any pre-installed hardware at the **VESA Mounting Points** (e.g. screws or covers) at the back of the TV. Consult the **TV's Manual** and remove them as instructed.

Note: *Ensure you only remove the screws (x 4) of the VESA Mounting Points. Do not remove any of the screws of the TV's structural assembly.*

3. Place the **Flat Washers** (x 4) over each **VESA Mounting Hole** (x 4).
4. Place the **Vertical Brackets** (x 2) over the **Flat Washers** parallel to one another. The **Hooks** on the **Vertical Brackets** must be pointing towards the **Bottom** of the **TV**. (Figure 7)
5. Insert the appropriately sized **M-Type Screws** (x 4) (e.g., M4 x 12 mm Screws) through the **Vertical Brackets**, the **Flat Washers**, and the **VESA Mounting Holes** at the back of the **TV**. (Figure 7)
6. Tighten the **M-Type Screws** (x 4) with a **Phillips Head Screwdriver** until each **M-Type Screw** is flush with the surface of the **Vertical Bracket** (x 2).

Warning! *Do not overtighten the M-Type Screws. If you encounter any unexpected resistance as you are fastening them, immediately stop and attempt to use a different length of M-Type Screw.*

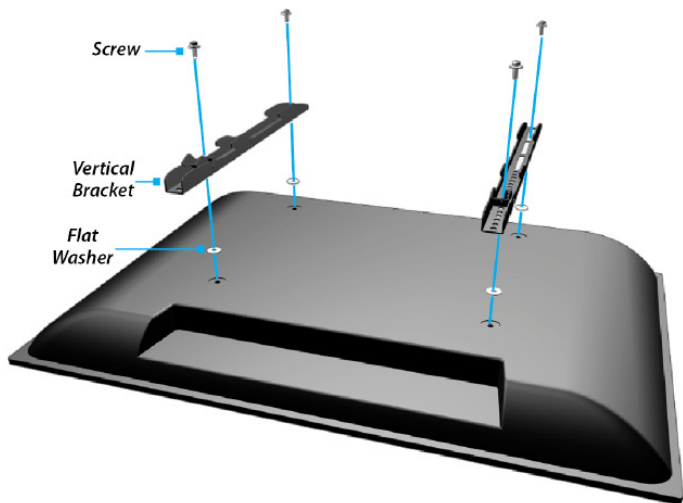


Figure 7

Attach a TV to the Wall Mount Assembly

Warning! Ensure the weight of the TV does not exceed the weight capacity of this product. Exceeding the weight capacity may result in personal injury, damage to the product, attached equipment, or the mounting surface. This product can support the following weight: Up to 99 lb (44.9 kg).

Attaching the TV is a two-person Job. Do not attempt to complete this task by yourself.

1. Lift and **Hang** the **TV** on the **Wall Mount Assembly**. (Figure 8)

Note: Align the top hooks of the Vertical Brackets with the top rails of the Wall Mount Assembly.

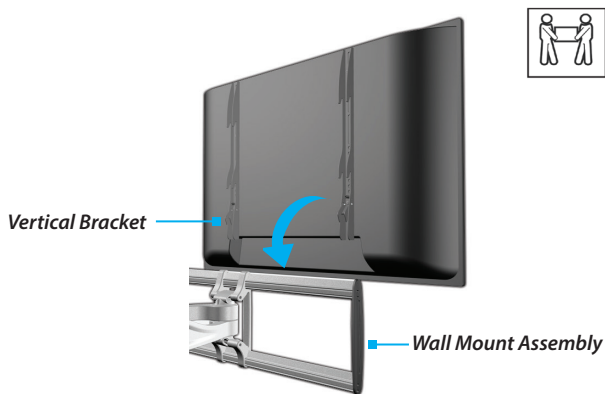


Figure 8

2. Lock the **Vertical Brackets** in place by folding up the **Latch** on the back of each **Vertical Bracket** and screw in the **Vertical Bracket Screw** (x 2) using a **Phillips Head Screwdriver**. (Figure 9)

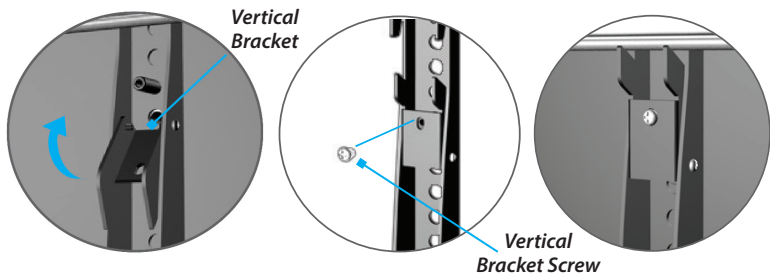


Figure 9

Cable Management

1. Route the **TV Cables** through the **Cable Management Attachments** (x 2) on either side of the **Wall Mount Assembly** and through the **Lower Decorative Cover**. (Figure 10)

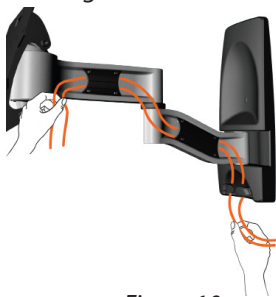


Figure 10

Note: *It may be necessary to remove the Cable Management Attachments if the TV Cables do not fit.*

To remove the Cable Management Attachments, use a Phillips Head Screwdriver to remove the Phillips Head Screws (x 4) of each Cable Management Attachment (x 4).

After routing the TV Cables, install the Cable Management Attachments one at a time and secure them with their respective Phillips Head Screws (x 4).

Operation

Adjust the TV

Caution! *Ensure that your fingers are clear from all moving parts and pinch points while adjusting the TV.*



Adjust the Tilt

1. Loosen the **Tilt Adjustment Screws** located on the **Wall Mount Assembly** using the **6 mm Hex Key**.
2. Adjust the **TV** by **Tilting** it to your desired viewing angle.
3. While **Supporting** the **Weight** of the **TV**, **Tighten** the **Tilt Adjustment Screws** located on the **Wall Mount Assembly** using the **6 mm Hex Key**. (Figure 11)

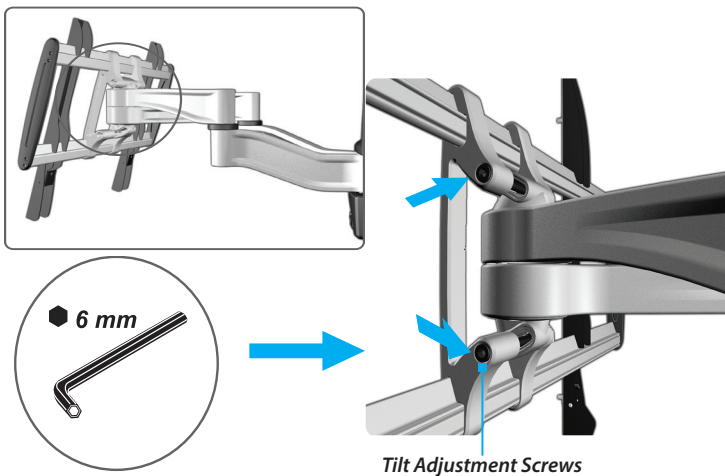


Figure 11

*The TV mount shown is for illustration purposes only

Adjust the Swivel

1. **Loosen** or **Tighten** the **Swivel Adjustment Screw** on the **Wall Mount Assembly** using the **6 mm Hex Key**. (Figure 12)

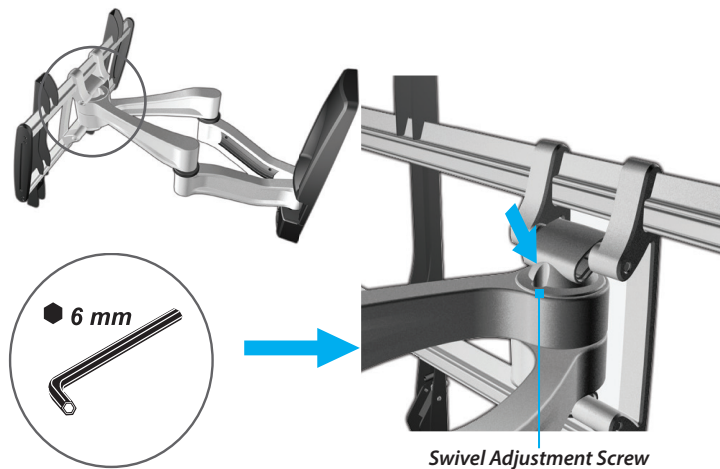


Figure 12

**The TV mount shown is for illustration purposes only*

Warranty Information

This product is backed by a five-year warranty.

For further information on product warranty terms and conditions, please refer to www.startech.com/warranty.

Limitation of Liability

In no event shall the liability of StarTech.com Ltd. and StarTech.com USA LLP (or their officers, directors, employees or agents) for any damages (whether direct or indirect, special, punitive, incidental, consequential, or otherwise), loss of profits, loss of business, or any pecuniary loss, arising out of or related to the use of the product exceed the actual price paid for the product.

Some states do not allow the exclusion or limitation of incidental or consequential damages. If such laws apply, the limitations or exclusions contained in this statement may not apply to you.

Hard-to-find made easy. At StarTech.com, that isn't a slogan. It's a promise.

StarTech.com is your one-stop source for every connectivity part you need. From the latest technology to legacy products — and all the parts that bridge the old and new — we can help you find the parts that connect your solutions.

We make it easy to locate the parts, and we quickly deliver them wherever they need to go. Just talk to one of our tech advisors or visit our website. You'll be connected to the products you need in no time.

Visit www.startech.com for complete information on all StarTech.com products and to access exclusive resources and time-saving tools.

StarTech.com is an ISO 9001 registered manufacturer of connectivity and technology parts since 1985 with operations around the world.

Reviews

Share your experiences using StarTech.com products, including product applications and setup, what you love about the products, and areas for improvement.

StarTech.com Ltd.

45 Artisans Crescent
London, Ontario
N5V 5E9
Canada

StarTech.com LLP

4490 South Hamilton Road
Groveport, Ohio
43125
U.S.A.

StarTech.com Ltd.

Unit B, Pinnacle 15
Gowerton Road
Brackmills,
Northampton
NN4 7BW
United Kingdom

StarTech.com Ltd.

Siriusdreef 17-27
2132 WT
Hoofddorp
The Netherlands

FR: fr.startech.com

DE: de.startech.com

ES: es.startech.com

NL: nl.startech.com

IT: it.startech.com

JP: jp.startech.com