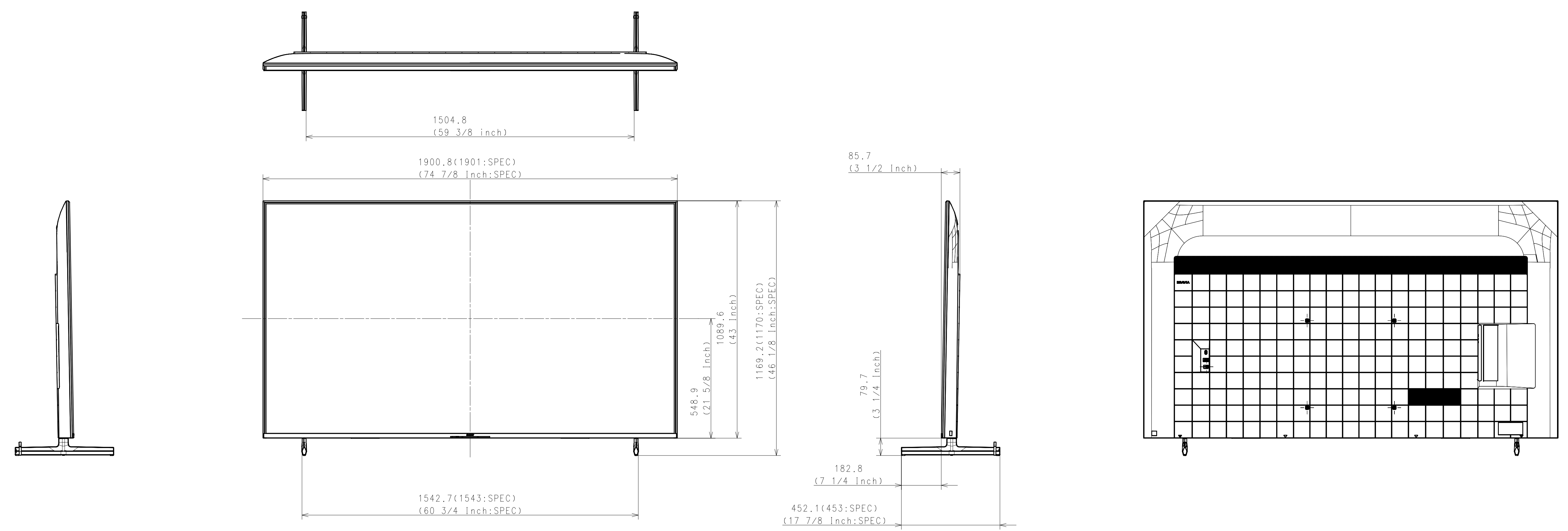


Area	JAPAN	EUROPE	GENERAL AREA	
Model Name	KJ-85X80L	KD-85X80L	KD-85X80L	
SV No.	SV-41302	SV-41258	SV-41109	
DIMENSION	TV only (W x H x D)	190.1 x 109.0 x 7.3 cm	Approx. 190.1 x 109.0 x 7.3 cm	Approx. 190.1 x 109.0 x 7.3 mm
	TV only with camera (W x H x D)	-	-	-
	TV with Stand (Standard position) (W x H x D)	190.1 x 117.0 x 45.3 cm	Approx. 190.1 x 117.0 x 45.3 cm	Approx. 190.1 x 117.0 x 45.3 mm
	TV with Stand (Narrow position) (W x H x D)	-	Approx. 190.1 x 117.0 x 45.3 cm	-
	TV with Stand (Soundbar position) (W x H x D)	-	-	-
	TV with Stand (Front position style) (W x H x D)	-	-	-
	TV with Stand (Back position style) (W x H x D)	-	-	-
	TV with Floor Stand (W x H x D)	-	-	-
	Stand Width (Standard position)	154.3 cm	Approx. 154.3 cm	Approx. 154.3 mm
	Stand Width (Narrow position)	-	Approx. 66.4 cm	-
	Stand Width (Soundbar position)	-	-	-
	Stand Width (Front position style)	-	-	-
	Stand Width (Back position style)	-	-	-
	Floor Stand Width	-	-	-
VESA Hole Pitch	40.0 x 40.0 cm	40.0 x 40.0 cm	40.0 x 40.0 mm	
WEIGHT	TV Only	45.8 kg	Approx. 45.8 kg	Approx. 45.8 kg
	TV with Stand (Standard position)	47.8 kg	Approx. 47.8 kg	Approx. 47.8 kg
	TV with Stand (Narrow position)	-	Approx. 47.8 kg	-
	TV with Stand (Soundbar position)	-	-	-
	TV with Stand (Front/Back position style)	-	-	-
	TV with Floor Stand	-	-	-
	Floor Stand weight (Supply)	-	-	-
W-M't Br. Weight (Supply)	-	-	-	
Remarks		2way		

WITH STAND

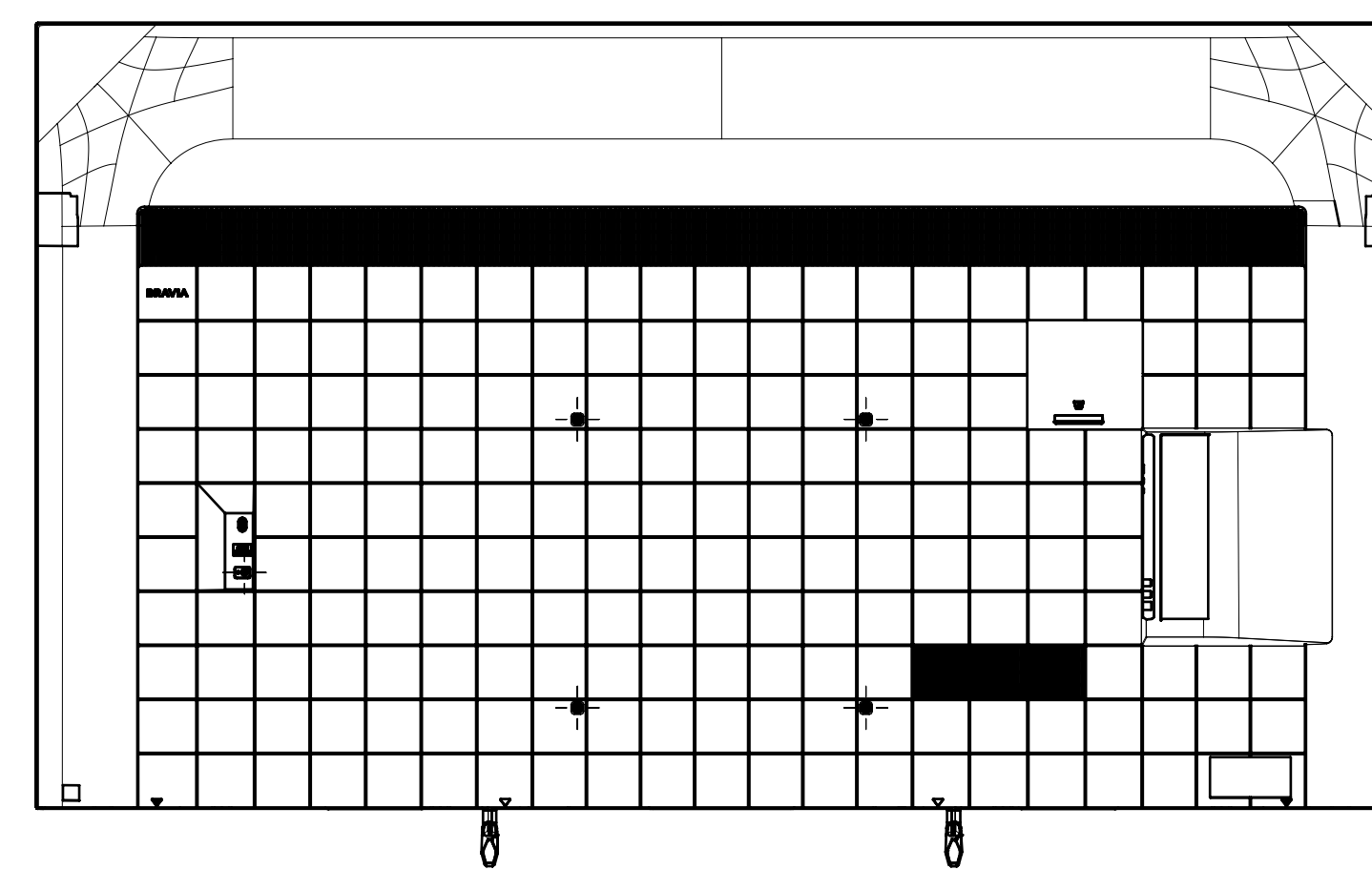
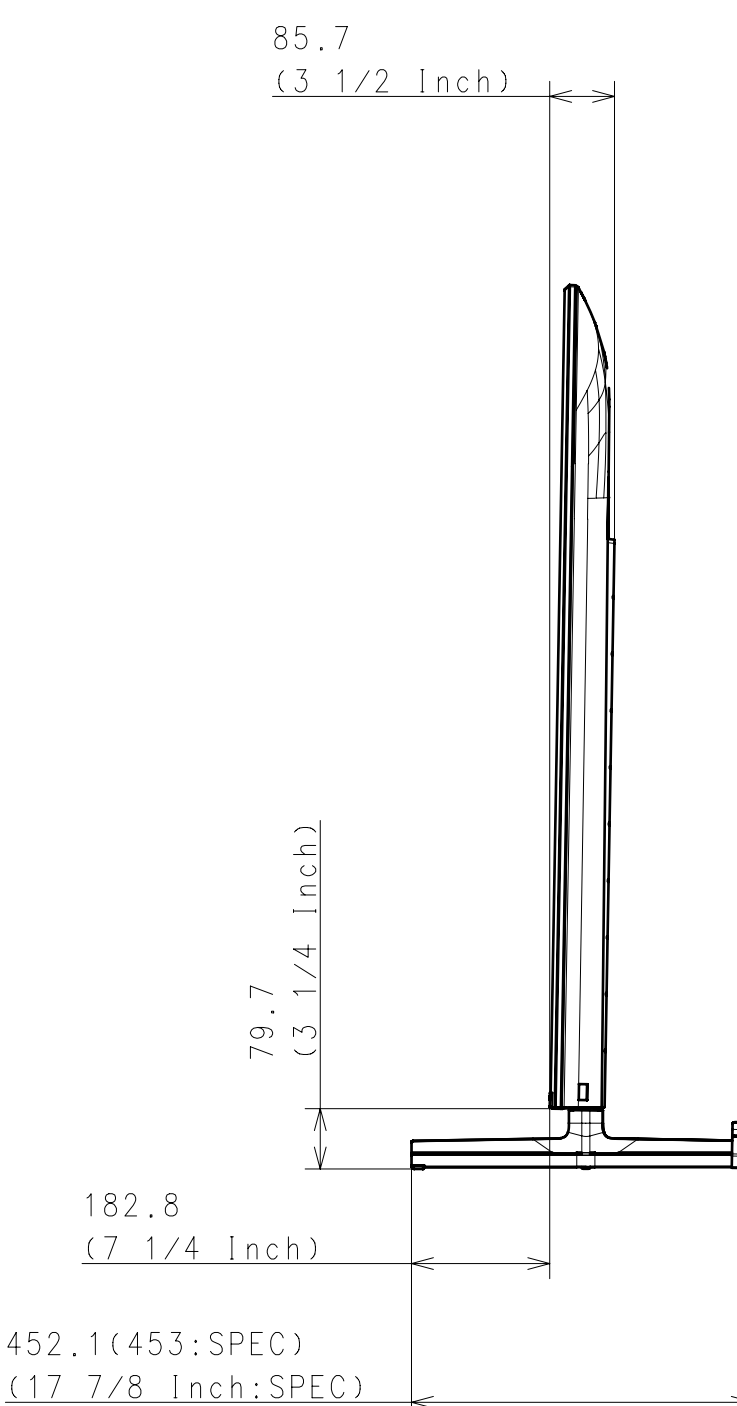
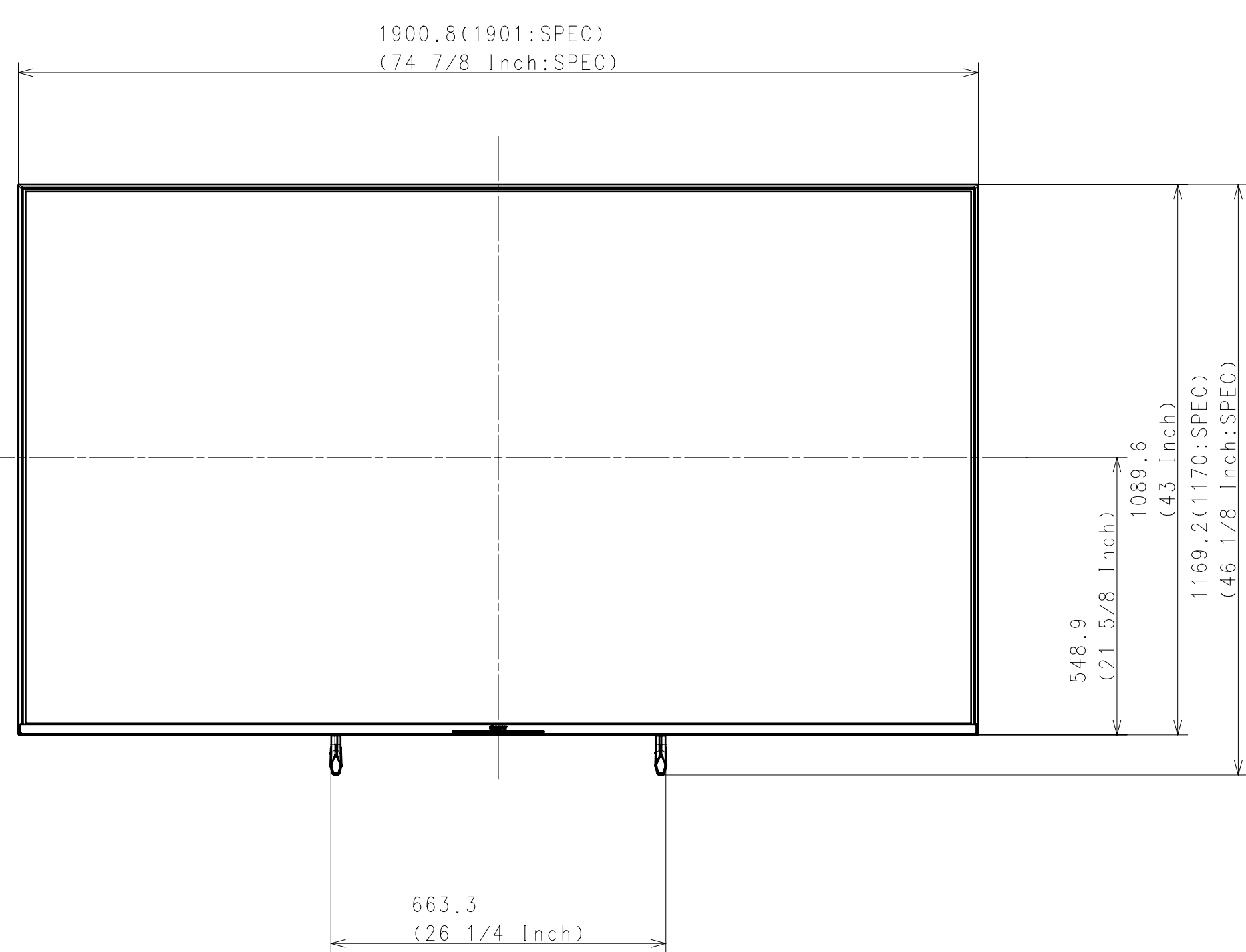
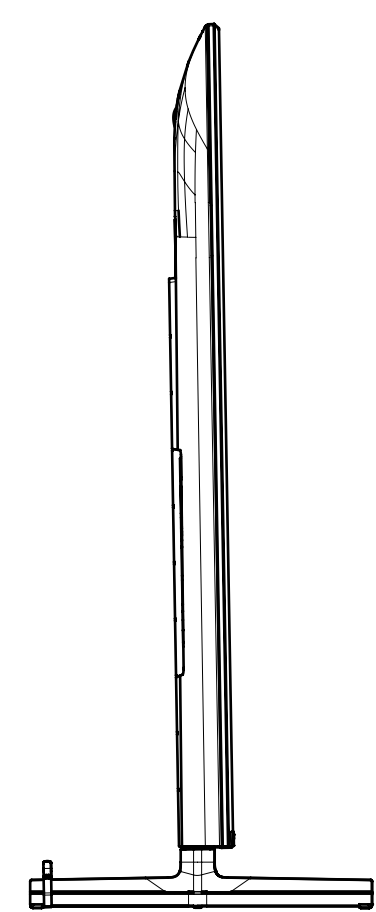
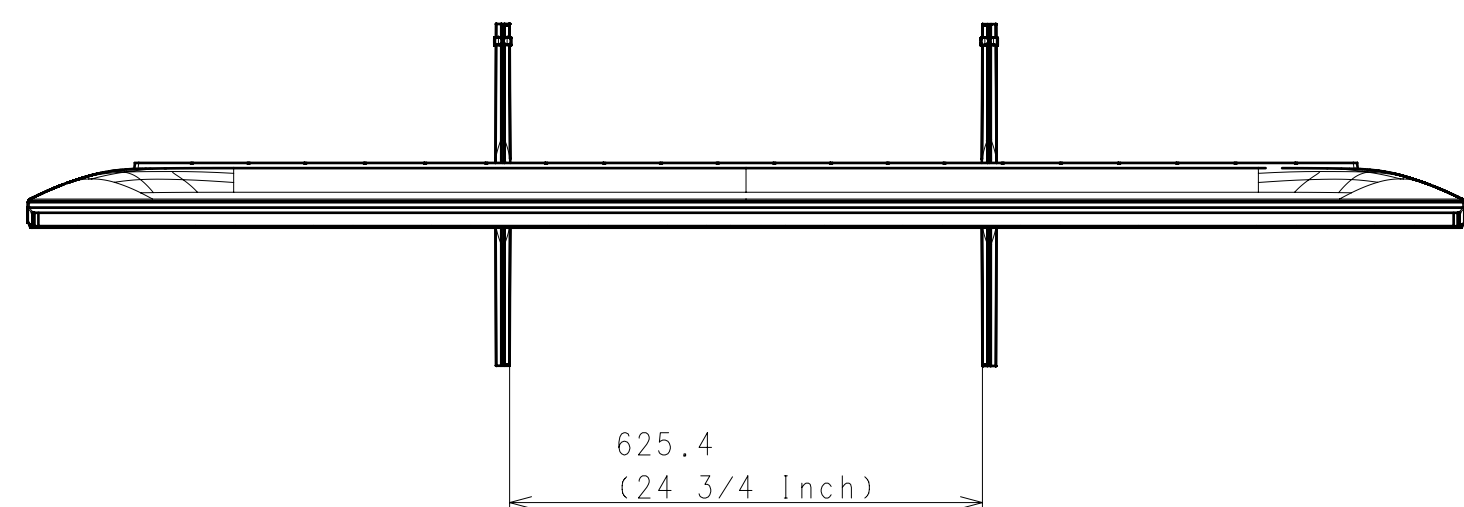
MAIN STAND (STANDARD POSITION)
KJ-85X80L (JAPAN) AND
KD-85X80L (EUROPE, GENERAL AREA)



DATE OF ISSUE	2021.12.03
GENERAL TOLERANCE	ASSEMBLY DRAWING (JIS & JIS/ISO DIMS)
MATERIAL COLOR	FINISH COLOR
RESPONSIBLE DEPARTMENT	85 (X80L) EXTERIOR VIEW
PLANNED BY	2022.11.24
DESIGNED BY	2022.11.24
DRAWN BY	2022.11.24
SCALE	1:10
SIZE	A1
UNIT	mm
SHEET/PAGES	1/4

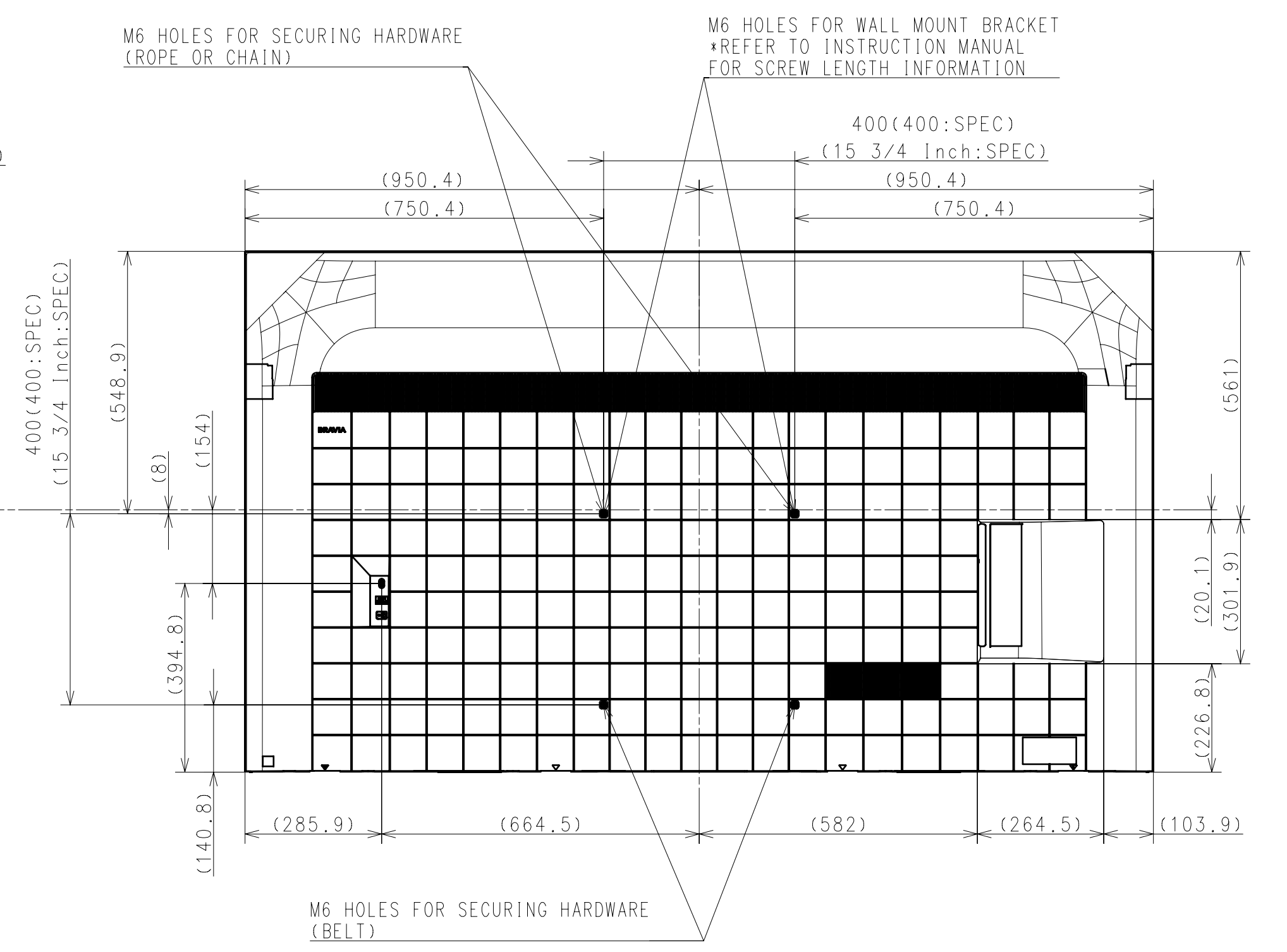
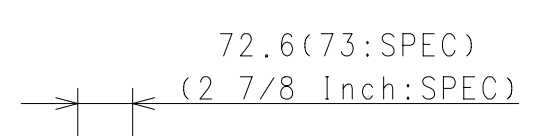
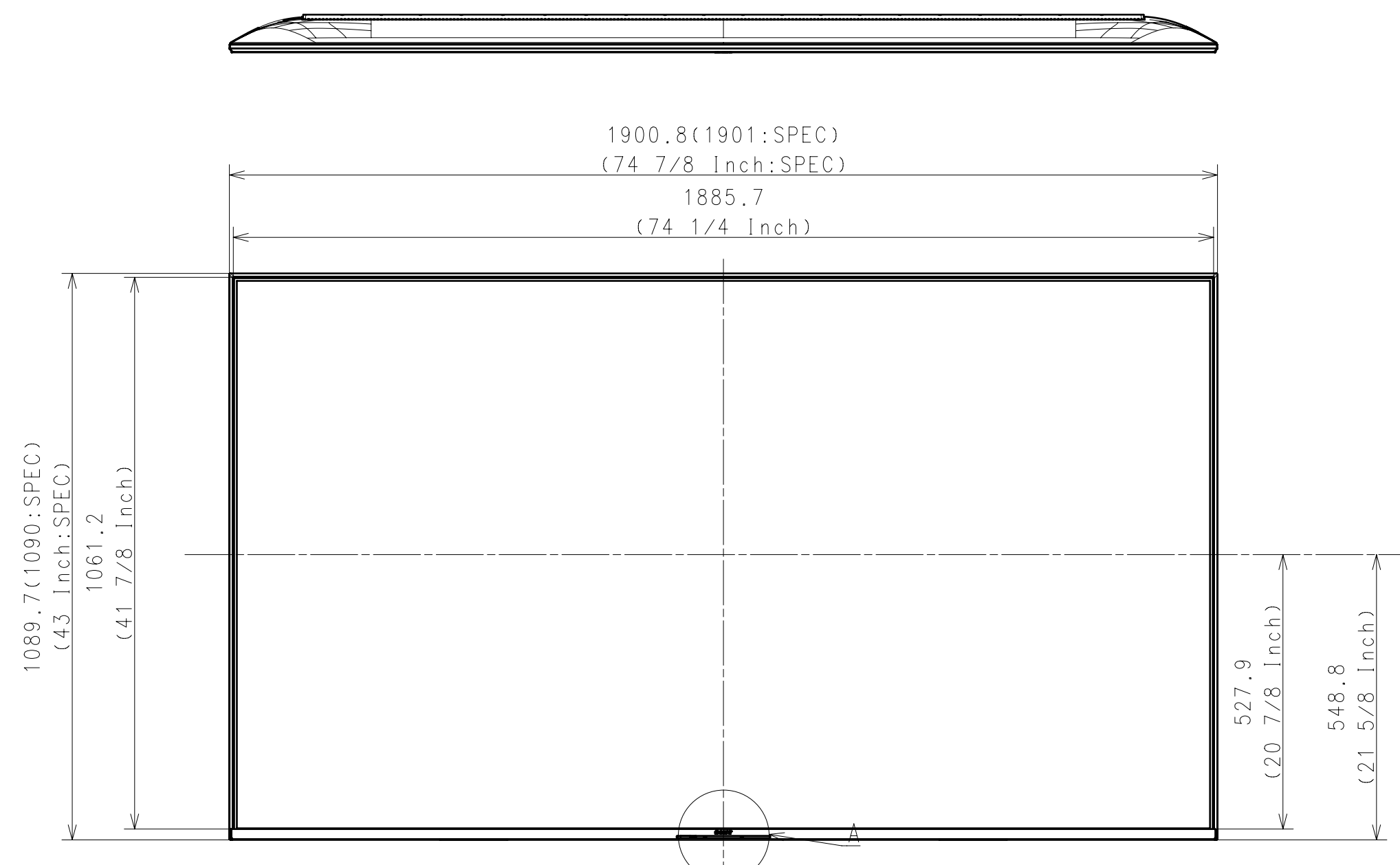
WITH STAND

NARROW POSITION
KD-85X80L (EUROPE ONLY)

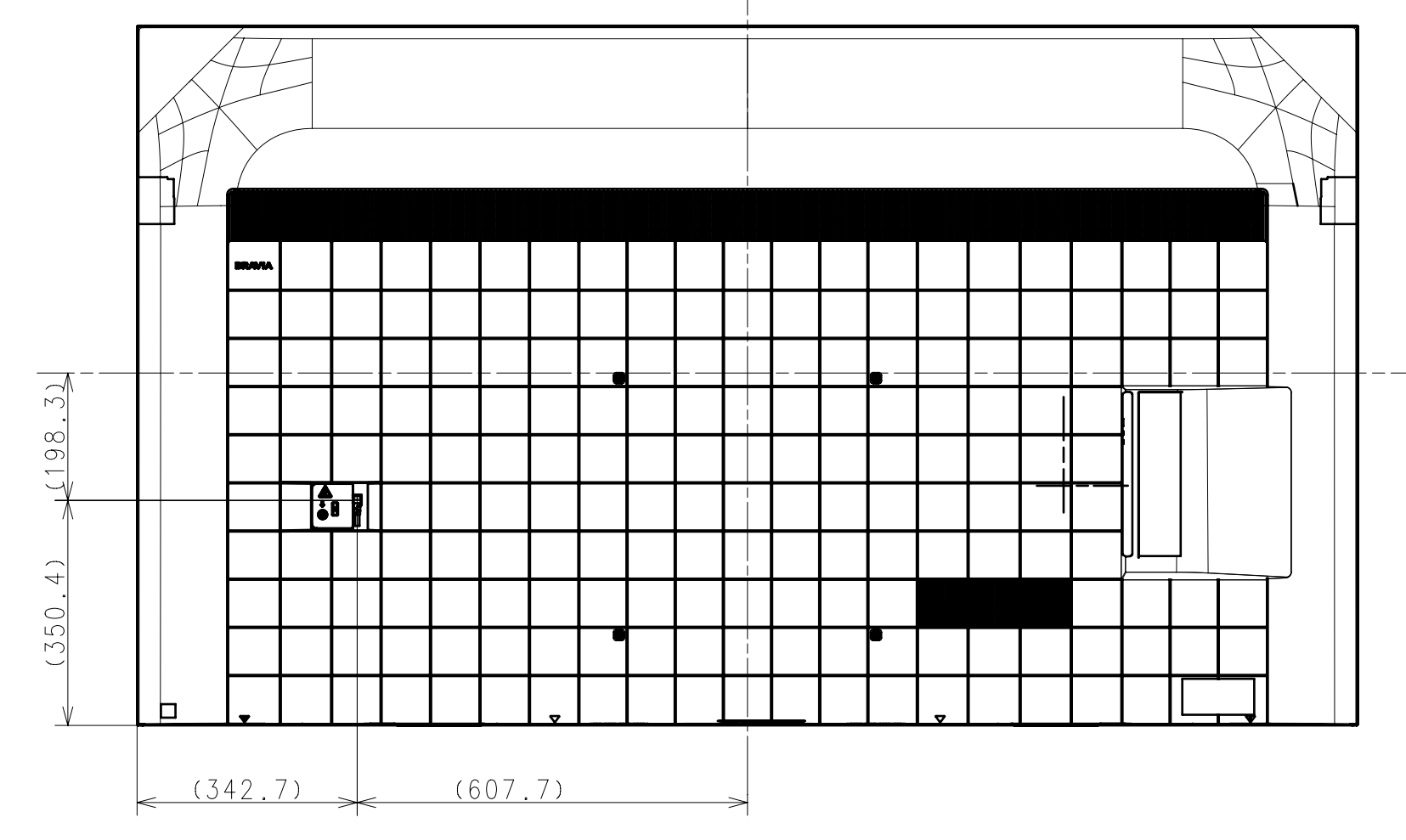
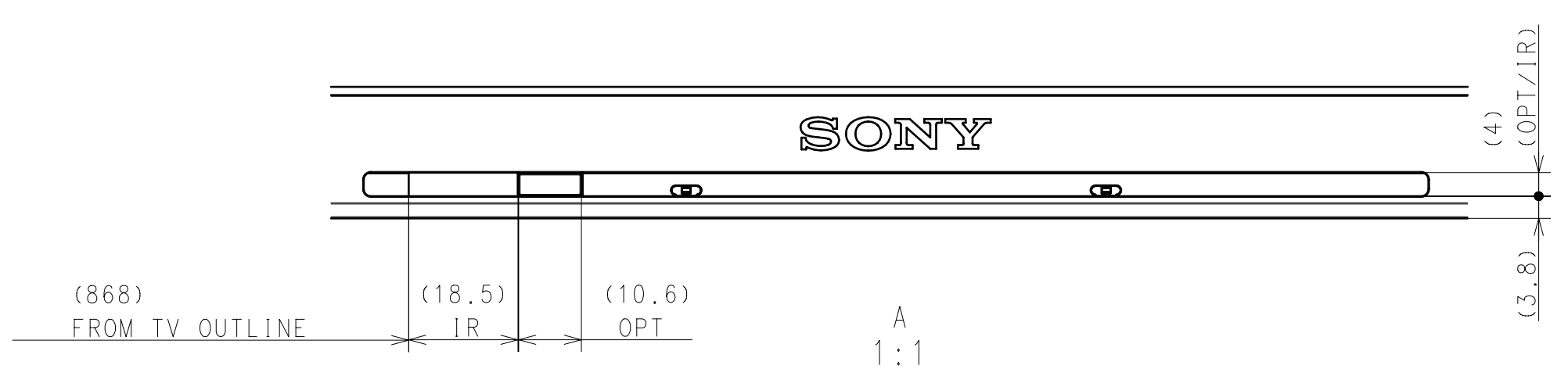
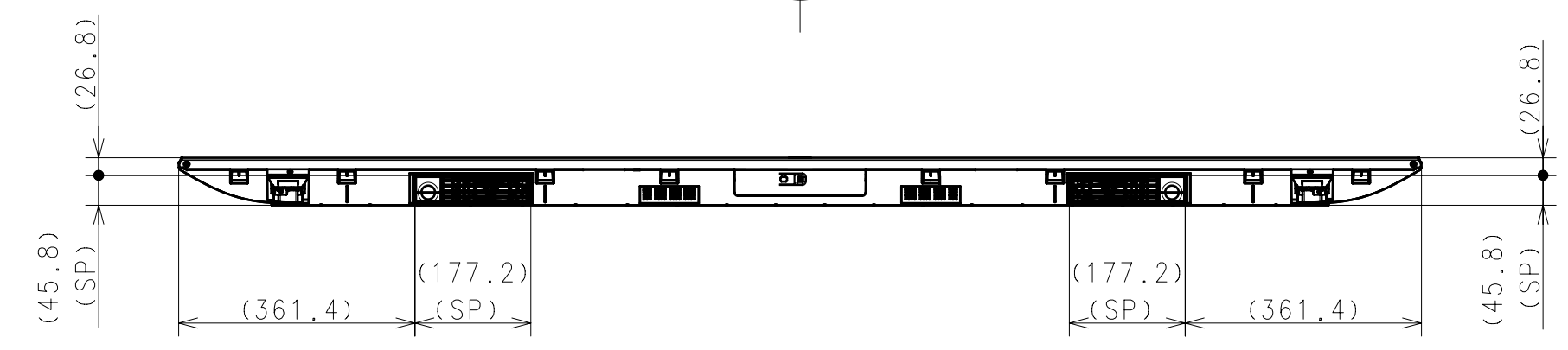


DESCRIPTION	LEGAL OWNER	SCALE
85 (X80L) EXTERIOR VIEW	Sony Corporation	1:10
DESCRIPTION	PART NO.	SHEET/PAGES
85 (X80L) EXTERIOR VIEW		2 / 4

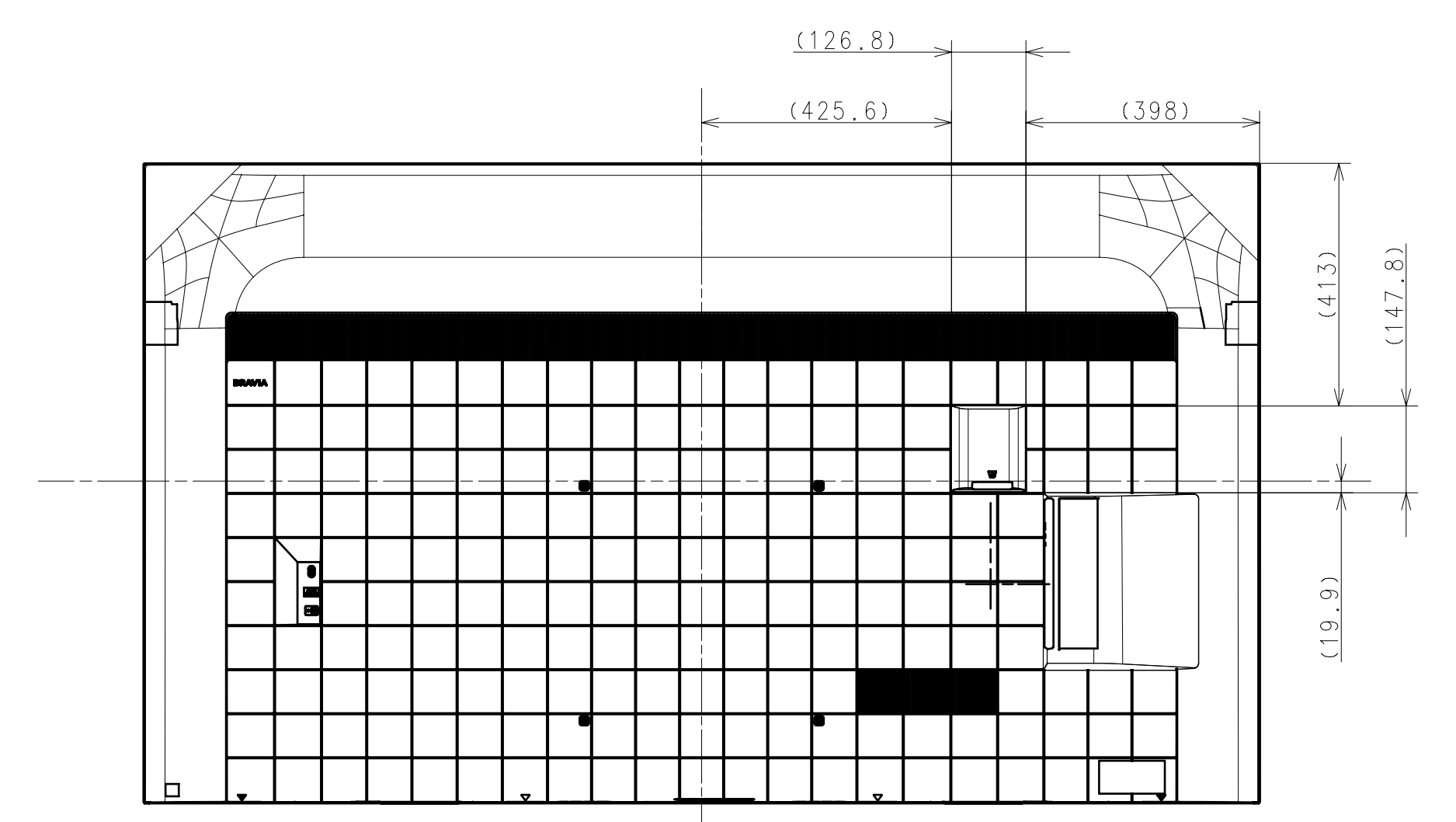
WITHOUT STAND



For GENERAL AREA



For JAPAN



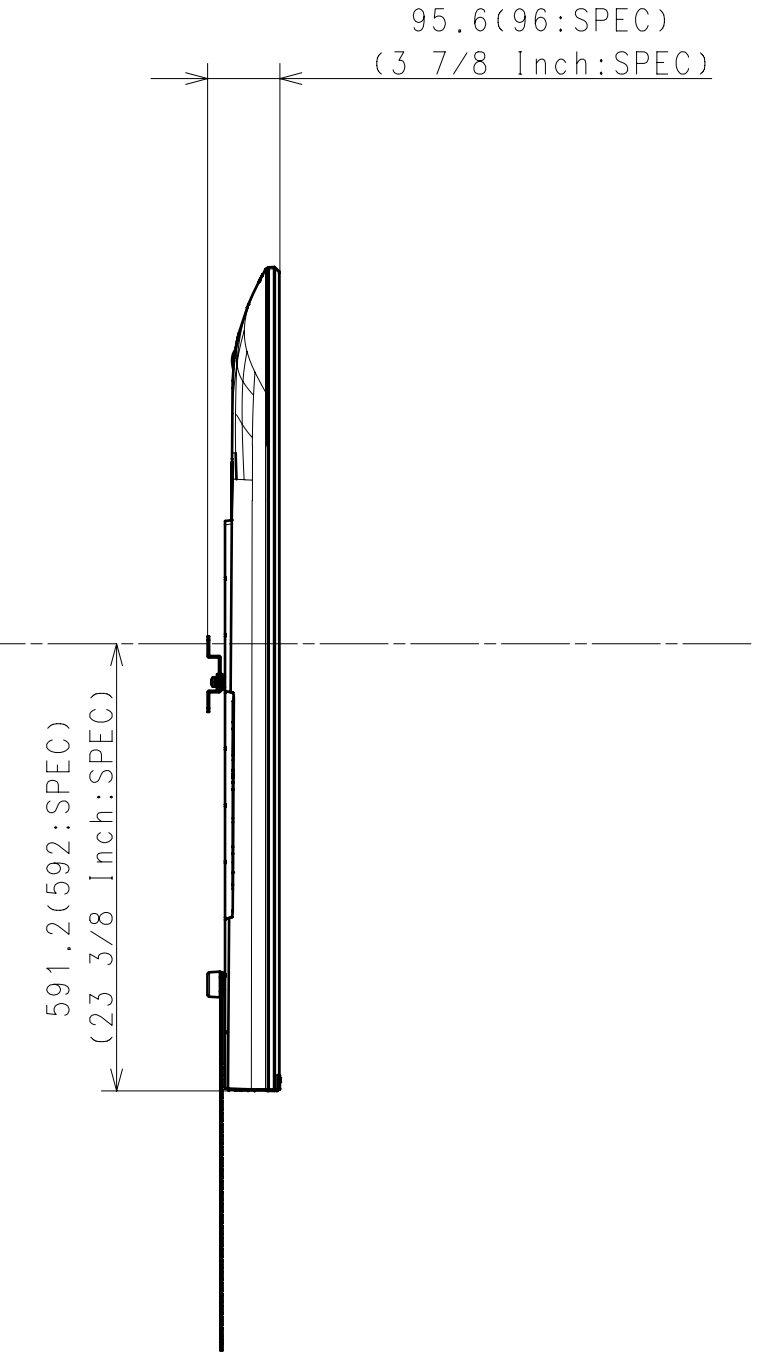
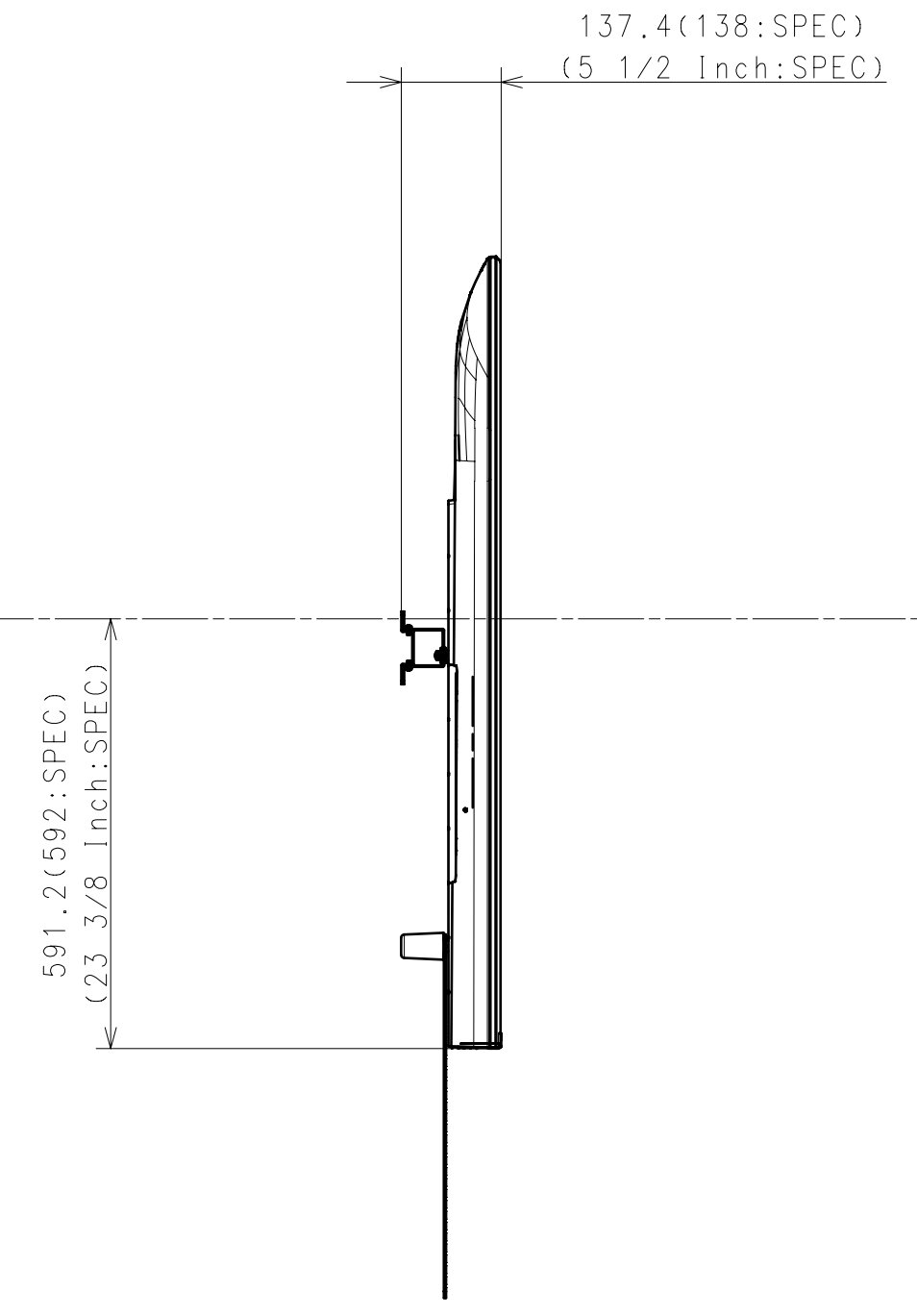
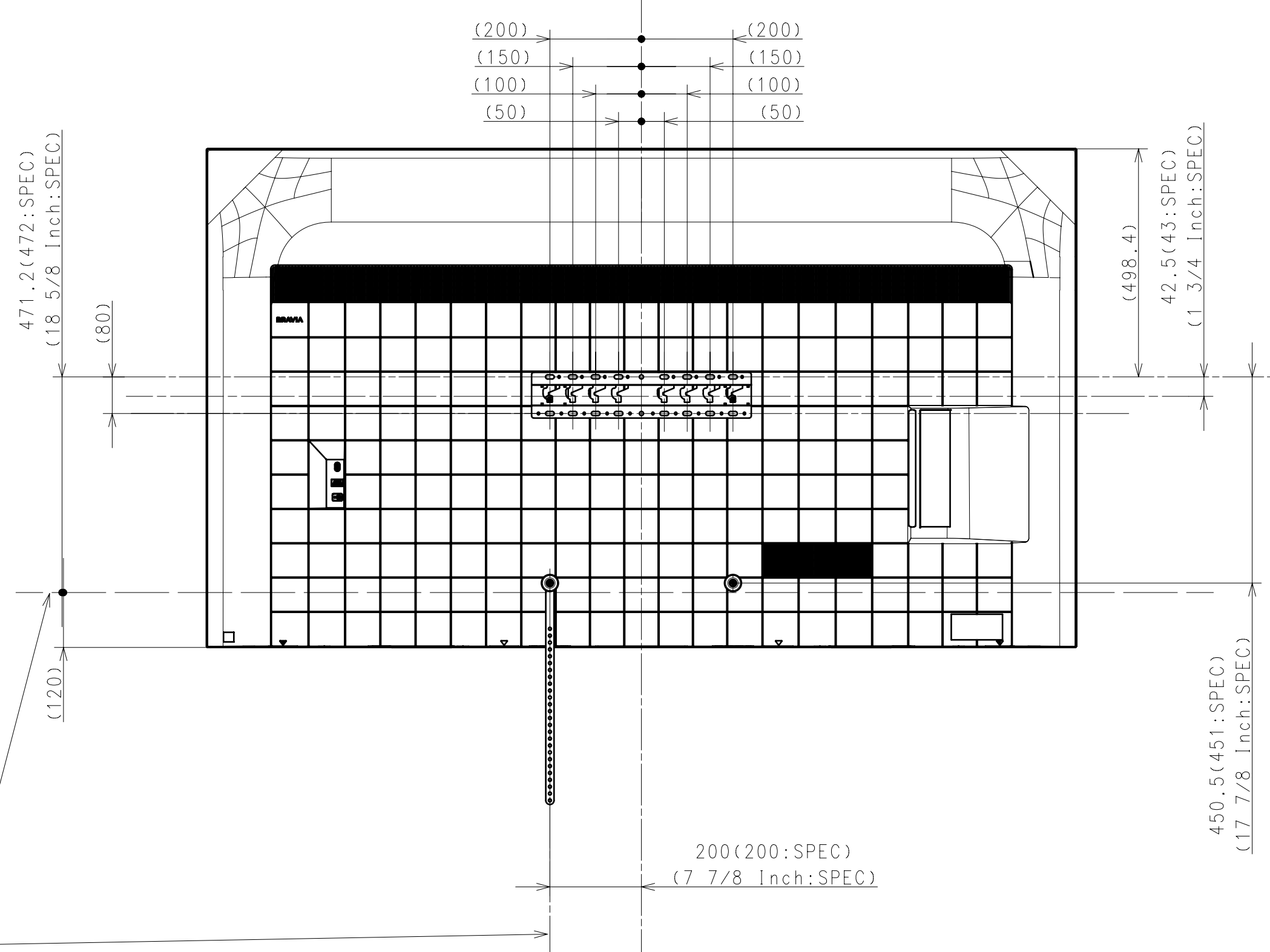
For EUROPE

DESCRIPTION 85 (X80L) EXTERIOR VIEW	LEGAL OWNER Sony Corporation	SCALE 1:10
DESCRIPTION 85 (X80L) EXTERIOR VIEW	PART NO.	SHEET/PAGES 3 / 4

SU-WL450

STANDARD

SLIM



DRAWING

SONY STANDARD

A1

18.08

DESCRIPTION	LEGAL OWNER	SCALE
85 (X80L) EXTERIOR VIEW	Sony Corporation	1:10
DESCRIPTION	PART NO.	SHEET/PAGES
85 (X80L) EXTERIOR VIEW		4 / 4