

UC-P10-TD-I

Crestron Flex 10 in. Display for Microsoft Teams® software, International



- *Native Microsoft Teams® display touch screen UX with simple operation and one-touch meeting joins*
- *Built-in camera for HD video calling*
- *Dedicated Microsoft Teams display button*
- *Wideband HD voice quality*
- *Wired or Bluetooth® enabled headset support*
- *Easy to specify and install – no custom design, programming, or software installation required*
- *Enterprise-grade security – connects and communicates securely over any enterprise or SMB network*
- *Network management and provisioning and system alerts through the XiO Cloud® service*

The Crestron Flex UC-P10-TD-I display provides a premium video collaboration solution for use with the Microsoft Teams® display intelligent communications platform. It offers Full HD quality video and audio calling, capability to view and zoom the shared content, and full-duplex hands-free speakerphone capability in an elegant desktop design. It features a large 10 in. color touch screen display, built-in Full HD camera with privacy shutter, and wired or Bluetooth® enabled headset support.^{1,2} Each display can be synced with a Microsoft Teams® account, with contacts, schedules, voicemails, and other preference settings appearing on the display's touch screen.

Native Microsoft Teams® Display Experience

The UC-P10-TD-I display provides a native Microsoft Teams display experience, with simple operation and one-touch meeting joins through a feature-rich touch screen. In addition to Microsoft Teams supported features, Microsoft Teams display offers unique features such as:

- **Dedicated displays for Microsoft Teams** allow users to access all core Microsoft Teams features.
- **Ambient personalizable display** allows users to see important activities and notifications without context-switching on their primary work device.
- **Leave a note on lock screen** allows users to check audio, video, and text notes left by guests.

To learn more, see [Microsoft Teams displays](#).

The UC-P10-TD-I works with a Microsoft Teams account and connects to an enterprise or SMB network by implementing a cloud-based Microsoft Teams display deployment.

NOTE: The included handset is not supported by Microsoft Teams display software.

Intuitive User Interface

The large 10 in. HD touch screen makes the display easy to use. The capacitive buttons provide the essential controls for managing a call in progress, muting or adjusting volume, switching to hands-free or headset mode¹, and a dedicated Teams button to launch the home screen or calls app. The intuitive touch screen UI allows users to move effortlessly between using the UC-P10-TD-I display and personal computer at their desk and other Microsoft Teams based Crestron UC conferencing solutions in a meeting room.

High-Definition Video Conferencing

The built-in camera with a wide-angle 96° diagonal field of view, Full HD 1080p video resolution, 2 MP CMOS sensor, and advanced video processing ensures a clear video image free from light or noise artifacts.

High-Definition Audio Conferencing

The UC-P10-TD-I display facilitates conversations with highly intelligible voice clarity, whether speaking privately on a headset¹ or conferencing using the hands-free speakerphone function. High-performance AEC technology achieves transparent full-duplex performance free of distracting echo or noise. Wideband audio codec support allows for full-spectrum, bidirectional voice communication.

Hot Desking

For organizations employing shared workstations or offices, workers can log in at any UC-P10-TD-I display using their personal Microsoft Teams account. Once signed in, the individual's presence status, contacts, voicemail, and meeting schedule immediately sync with their account for a seamless user experience.

UC-P10-TD-I

Crestron Flex 10 in. Display for Microsoft Teams® software, International

Enterprise-Grade Security

Crestron Flex is an enterprise-grade solution, engineered in partnership with Microsoft to integrate seamlessly into any Microsoft Teams display deployment. Crestron Flex is ideally equipped for mass deployment throughout any sized facility.

Easy Provisioning and Device Management

The XiO Cloud service is an IoT cloud based provisioning service that enables installers and IT managers to easily deploy and manage thousands of devices.

Visit www.crestron.com/xiocloud for additional information.

Specifications

Included Components

UC-P10-TD-I	Crestron Flex 10 in. display for Microsoft Teams® Software, International: <ul style="list-style-type: none">• Cable, CAT5e, RJ45-to-RJ45, approx. 12 ft (3.7 m)• HD wideband handset³• Cable, handset³, RJ9-to-RJ9, approx. 11.5 ft (3.5 m)
--------------------	--

Communications

Ethernet	Dual 10/100/1000 Mbps, auto-switching, auto-negotiating, auto-discovery, full/half duplex, DHCP, TCP/IP, UDP/IP, CIP, SSL, TLS, SSH, SFTP (SSH File Transfer Protocol), SRTP, IEEE 802.1X, Active Directory® authentication, digest access authentication, password login, XiO Cloud client, Microsoft Intune® client, IEEE 802.3at Type 2 PoE+ compliant
VoIP	Microsoft Teams client; compatible with Office 365 cloud service; supports Enterprise Voice, Phone System, Office 365 modern authentication (limited), directory lookup, PSTN calling, E911, common area phone, calendar, hot desking; DTMF tone generation (RFC 2833 out-of-band, in-band), acoustic echo cancellation, automatic gain control, voice activity detection, comfort noise generator, low-delay audio packet transmission, adaptive jitter buffers, packet loss concealment
Wi-Fi®	Dual-band 802.11a/b/g/n/ac (2.4 GHz & 5 GHz)
Bluetooth®	Bluetooth V5.0 BR+EDR+BLE
USB	USB 3.0

Camera

Image Sensor	2 Megapixel CMOS sensor
Resolution/FPS	HD 1080p @ 30 fps
Field of View	96° diagonal, 88° horizontal, 57° vertical
Camera Shutter	Yes

Audio

AEC	Automatic Gain Control, Dynamic Noise Reduction, Acoustic Echo cancellation, Full-duplex IEEE 1329 Type 1 compliant
Microphones	Built-in 2 I ² S digital MEMS microphones, omni-directional microphones, 360-degree of audio pickup
Speaker	Full range speaker; Amplifier Power: 2 Watts (rated power); Output Volume: 87 ±3 dBA

Occupancy Sensor

PIR Detection Range	Approx. 6.5 ft (2 m) in front of touch screen, wakes touch screen and display device
Ambient Light Sensor	Controls brightness of the touch screen

Touch Screen

Display Type	TFT active matrix color LCD
Size	10 in. (254 mm) diagonal
Resolution	1280 x 800 pixels
Touch Screen	Capacitive, multi-touch capable
Language Support	Arabic (AR), Simplified Chinese (ZH-CN), Traditional Chinese (ZH-TW), Czech (CS), Danish (DA), Dutch (NL), English (UK), English (US), Finnish (FI), French (FR), German (DE), Greek (EL), Hebrew (HE), Hungarian (HU), Italian (IT), Japanese (JP), Korean (KO), Norwegian (NO), Polish (PL), Portuguese - Portugal (PT-PT), Portuguese -Brazil (PT-BR), Romanian (RO), Russian (RU), Slovak (SK), Spanish (ES), Swedish (SV), Thai (TH)

Buttons & Indicators

Capacitive buttons	(6) Capacitive buttons for Teams, Volume -/+, Headset*, Mute*, Speakerphone*; *Buttons are LED backlit to indicate active status
---------------------------	---

UC-P10-TD-I

Crestron Flex 10 in. Display for Microsoft Teams® software, International

Light Bar (Status LED)

(1) Light Bar (below touch screen) illuminates different colors to indicate the following states of the device:

- Flashes green to indicate Boot up
- Blinks red to indicate Boot fail
- Flashes yellow intermittently to indicate voicemail
- Solid red indicates display is muted, solid green indicates call is in progress
- Blinks blue to indicate Bluetooth headset pairing
- Solid blue to indicate Bluetooth headset paired
- Off to indicate idle

Hook Switch³

(1) Magnetic headset hook switch

Connectors

PC

(1) 8-pin RJ45 connector, female; 1000Base-T Ethernet port; Switched LAN port for optional computer connection

Internet

(1) 8-pin RJ45 connector, female; 1000Base-T Ethernet port & PoE PD port; For connection to LAN with PoE PSE

Handset³

(1) RJ9 4P4C connector, female; For handset

Headset

(1) USB-C® connector*, female; For headset (not included)
*Backward compatible with USB-A peripherals via USB-C to USB-A adaptor (not included)

Power

Power over Ethernet	Class 4 PoE+ powered device* *POE injector available separately
Power Consumption	~ 17 W

Environmental

Temperature	32° to 104°F (0° to 40°C)
Humidity	10% to 90% RH (non-condensing)

Construction

Housing	Metal and plastic, fixed-angle touch screen
Mounting	Surface mount, wall mount (optional)

Dimensions

Height	7.71 in. (196 mm)
Width	12.91 in. (328 mm)
Depth	4.96 in. (126 mm)

Weight

5.10 lb (2.30 kg)

Compliance

FCC Part 15 class B, ICES-003 Issue 6 Class B, EN 55032, EN55035 / EN61000-4

Regulatory Model: M202029001

Models

UC-P8-TD

Crestron Flex 8 in. Display for Microsoft Teams® software

UC-P8-TD-I

Crestron Flex 8 in. Display for Microsoft Teams® software, International

UC-P10-TD

Crestron Flex 10 in. Display for Microsoft Teams® software

UC-P10-TD-I

Crestron Flex 10 in. Display for Microsoft Teams® software, International

Available Accessories

For a list of available accessories, visit the [UC-P10-TD-I](#) product page.

UC-P10-TD-I

Crestron Flex 10 in. Display for Microsoft Teams® software, International

Notes:

1. The headset is not included. Visit <https://www.microsoft.com/en-us/microsoft-365/microsoft-teams/across-devices/devices/> for recommended accessories.
2. Only one headset, either wired or Bluetooth-enabled, is supported at a time.
3. The included handset is not supported by Microsoft Teams display software.

This product may be purchased from select authorized Crestron dealers and distributors. To find a dealer or distributor, please contact the Crestron sales representative for your area. A list of sales representatives is available online at www.crestron.com/How-To-Buy/Find-a-Representative or contact us for additional information by visiting www.crestron.com/contact/our-locations for your local contact.

The original language version of this document is U.S. English. All other languages are a translation of the original document.

The product warranty can be found at www.crestron.com/warranty.

The specific patents that cover Crestron products are listed online at www.crestron.com/legal/patents.

Certain Crestron products contain open source software. For specific information, please visit www.crestron.com/opensource.

Crestron, the Crestron logo, and XiO Cloud are either trademarks or registered trademarks of Crestron Electronics, Inc. in the United States and/or other countries. Bluetooth is either a trademark or registered trademark of Bluetooth SIG, Inc. in the United States and/or other countries. Active Directory, Microsoft, Microsoft Intune, Microsoft Teams and Office 365 are either trademarks or registered trademarks of Microsoft Corporation in the United States and/or other countries. USB-C is either a trademark or registered trademark of USB Implementers Forum, Inc. in the United States and/or other countries. Wi-Fi is either a trademark or registered trademark of Wi-Fi Alliance in the United States and/or other countries. Other trademarks, registered trademarks, and trade names may be used in this document to refer to either the entities claiming the marks and names or their products. Crestron disclaims any proprietary interest in the marks and names of others. Crestron is not responsible for errors in typography or photography.

Specifications are subject to change without notice.

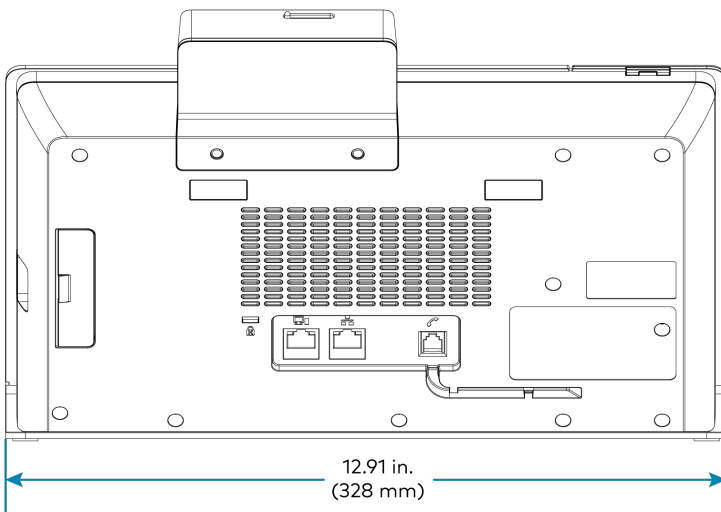
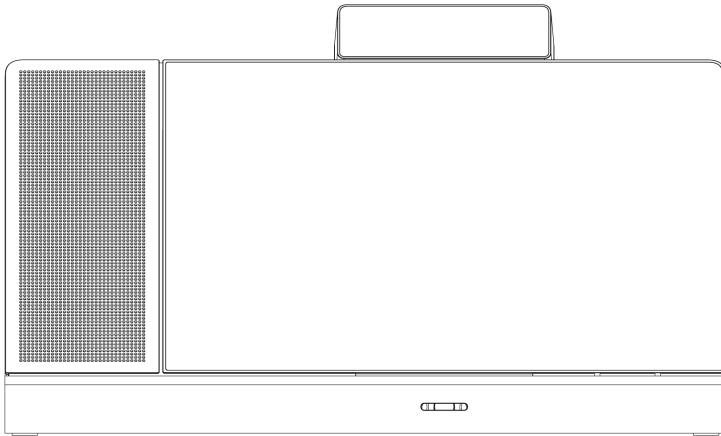
©2022 Crestron Electronics, Inc.

Rev 09/26/22

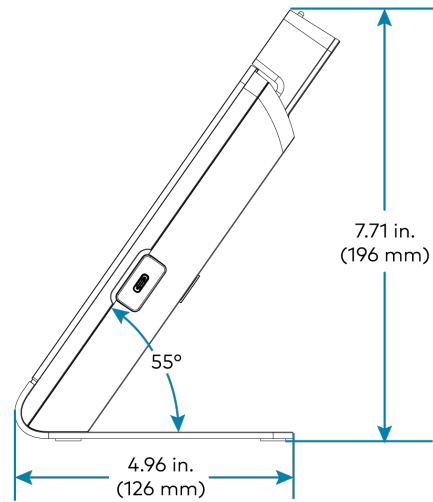
UC-P10-TD-I

Crestron Flex 10 in. Display for Microsoft Teams® software, International

UC-P10-TD-I



12.91 in.
(328 mm)



7.71 in.
(196 mm)

4.96 in.
(126 mm)