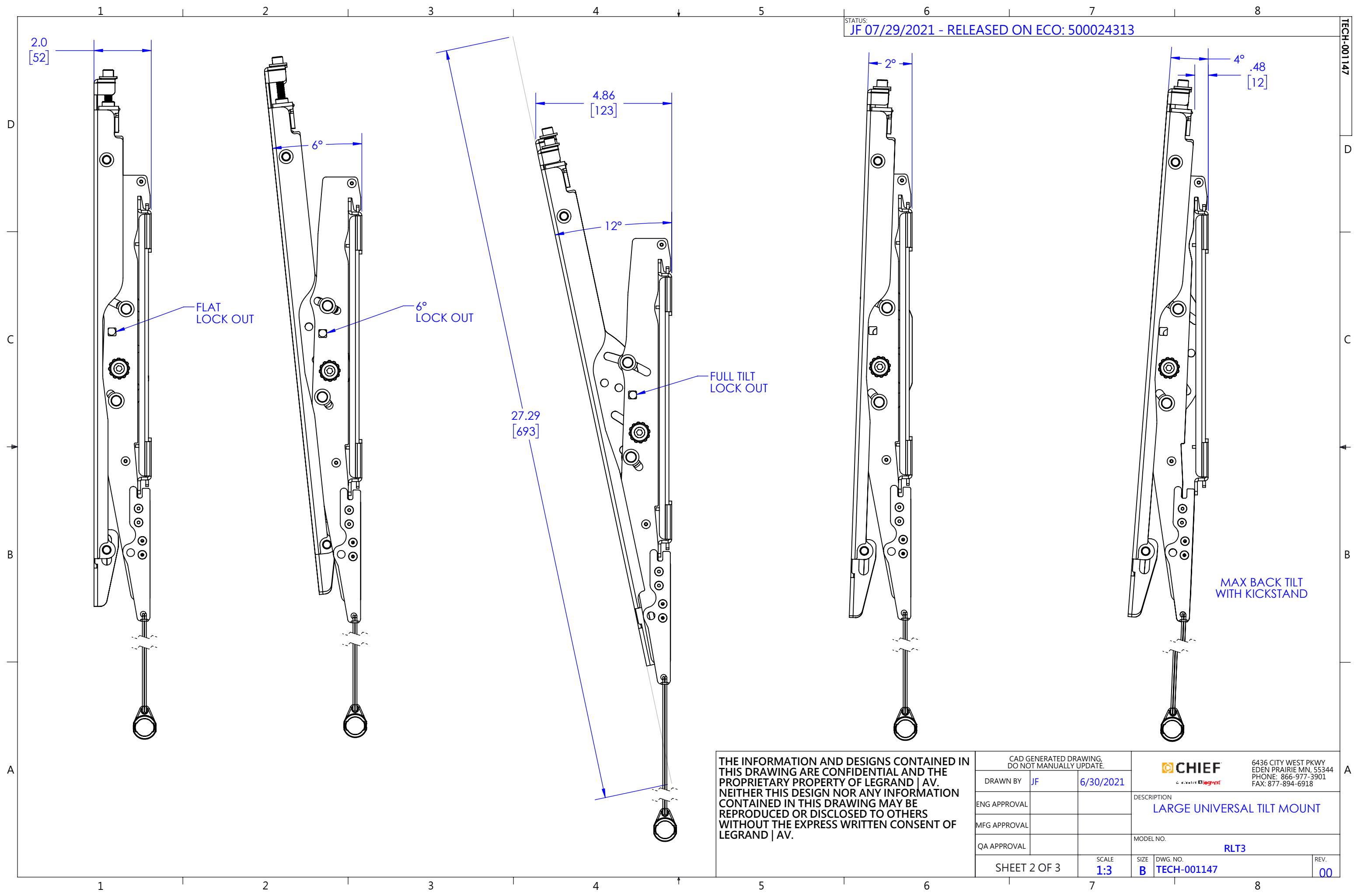


1. MAXIMUM HORIZONTAL MOUNTING PATTERN IS 31.5" (800 mm) WITHOUT REVERSING UPRIGHTS
2. MAXIMUM HORIZONTAL MOUNTING PATTERN IS 36" (915 mm) WITH REVERSING UPRIGHTS
3. FOR RECESSED APPLICATIONS, MINIMUM VERTICAL LIFT FOR HOOK ENGAGEMENT IS .75" (19 mm)

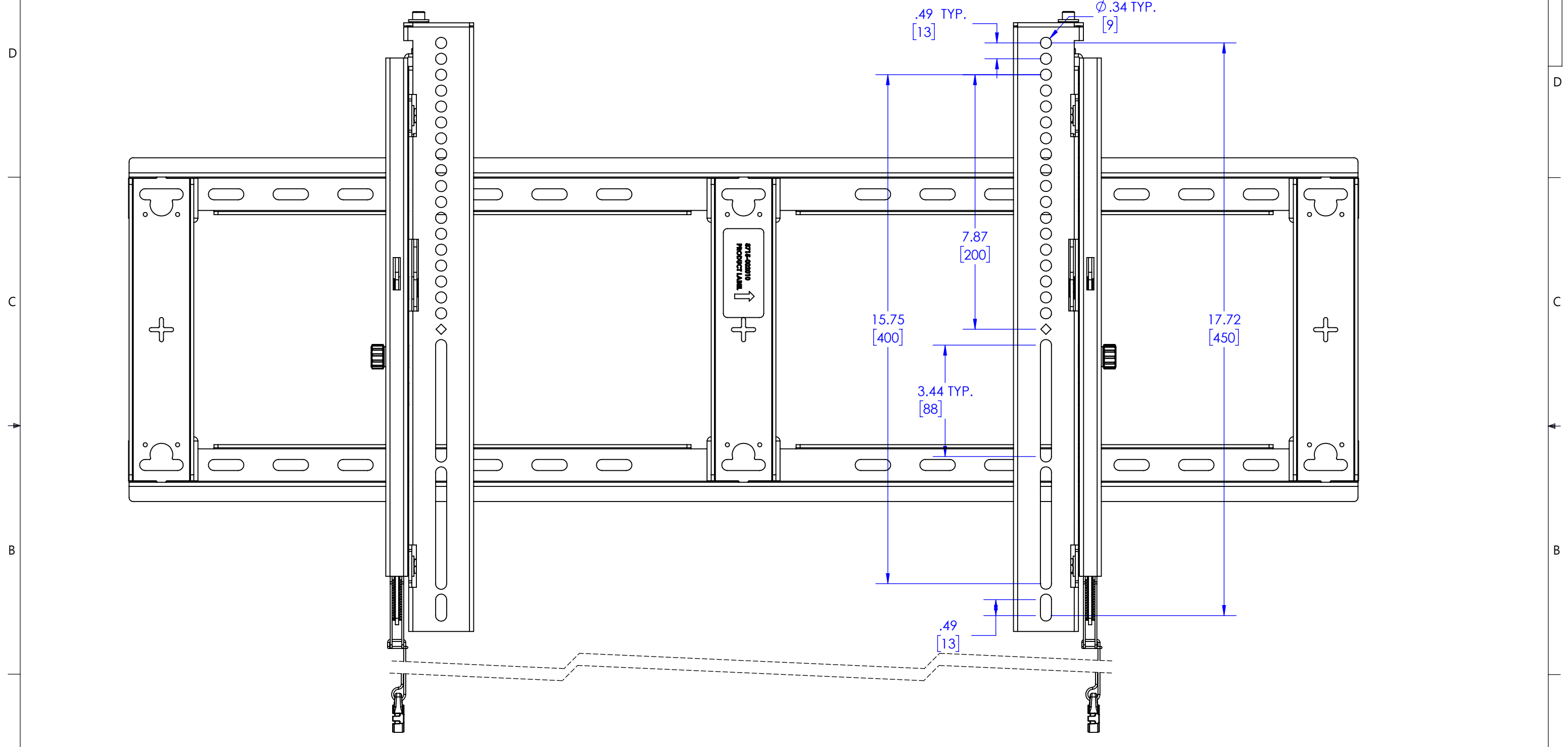
THE INFORMATION AND DESIGNS CONTAINED IN THIS DRAWING ARE CONFIDENTIAL AND THE PROPRIETARY PROPERTY OF LEGRAND | AV. NEITHER THIS DESIGN NOR ANY INFORMATION CONTAINED IN THIS DRAWING MAY BE REPRODUCED OR DISCLOSED TO OTHERS WITHOUT THE EXPRESS WRITTEN CONSENT OF LEGRAND | AV.

CAD GENERATED DRAWING, DO NOT MANUALLY UPDATE.				6436 CITY WEST PKWY EDEN PRAIRIE, MN, 55344 PHONE: 866-977-3901 FAX: 877-894-6918	
DRAWN BY	JF	6/30/2021	DESCRIPTION		
ENG APPROVAL			LARGE UNIVERSAL TILT MOUNT		
MFG APPROVAL			MODEL NO.		
QA APPROVAL			RLT3		
SHEET 1 OF 3		SCALE	SIZE	DWG. NO.	REV.
		1:5	B	TECH-001147	00




THE INFORMATION AND DESIGNS CONTAINED IN THIS DRAWING ARE CONFIDENTIAL AND THE PROPRIETARY PROPERTY OF LEGRAND | AV. NEITHER THIS DESIGN NOR ANY INFORMATION CONTAINED IN THIS DRAWING MAY BE REPRODUCED OR DISCLOSED TO OTHERS WITHOUT THE EXPRESS WRITTEN CONSENT OF LEGRAND | AV.

CAD GENERATED DRAWING, DO NOT MANUALLY UPDATE.				6436 CITY WEST PKWY EDEN PRAIRIE, MN, 55344 PHONE: 866-977-3901 FAX: 877-894-6918	
DRAWN BY	JF	6/30/2021	DESCRIPTION		
ENG APPROVAL			LARGE UNIVERSAL TILT MOUNT		
MFG APPROVAL			MODEL NO.		
QA APPROVAL			RLT3		
SHEET 2 OF 3		SCALE	SIZE	DWG. NO.	REV.
		1:3	B	TECH-001147	00



THE INFORMATION AND DESIGNS CONTAINED IN THIS DRAWING ARE CONFIDENTIAL AND THE PROPRIETARY PROPERTY OF LEGRAND | AV. NEITHER THIS DESIGN NOR ANY INFORMATION CONTAINED IN THIS DRAWING MAY BE REPRODUCED OR DISCLOSED TO OTHERS WITHOUT THE EXPRESS WRITTEN CONSENT OF LEGRAND | AV.

CAD GENERATED DRAWING, DO NOT MANUALLY UPDATE.		 6436 CITY WEST PKWY EDEN PRAIRIE MN, 55344 PHONE: 866-977-3901 FAX: 877-894-6918
DRAWN BY	JF 6/30/2021	
ENG APPROVAL		DESCRIPTION LARGE UNIVERSAL TILT MOUNT
MFG APPROVAL		MODEL NO. RLT3
QA APPROVAL		SIZE DWG. NO. REV. B TECH-001147 00
SHEET 3 OF 3		SCALE 1:3

1 2 3 4 5 6 7 8

D  
C  
B  
A

D  
C  
B  
A

1 2 3 4 5 6 7 8