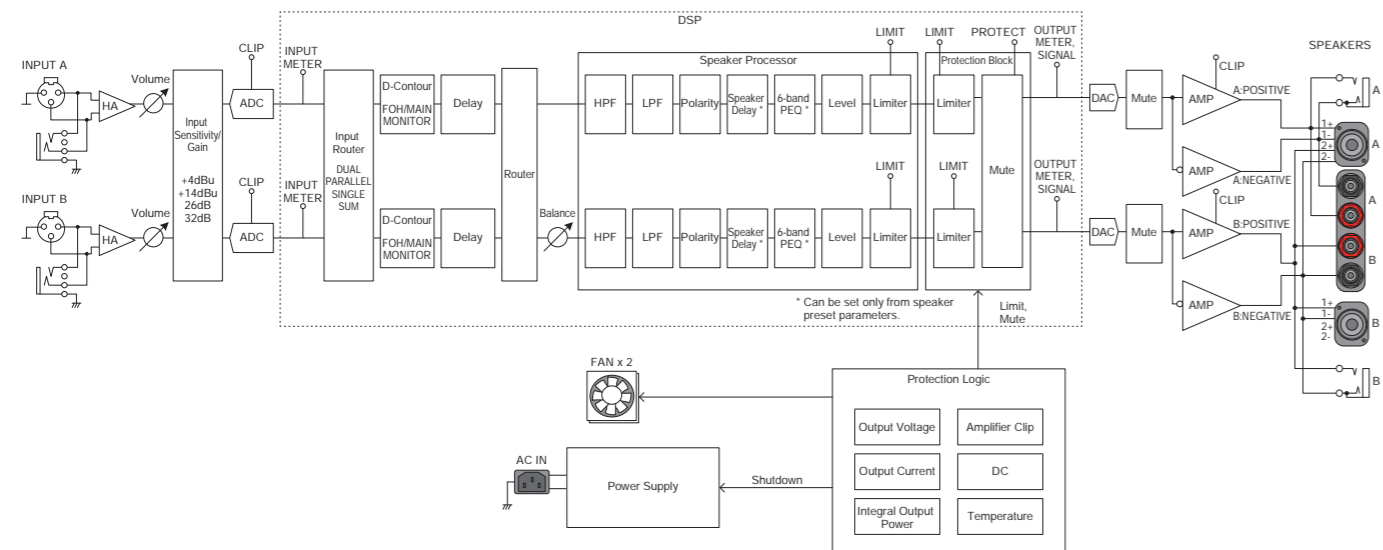


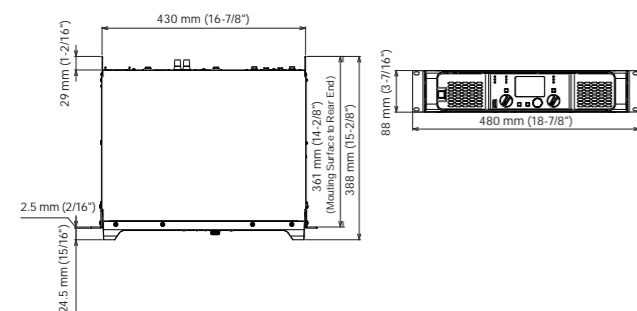
Specifications

		PX10	PX8	PX5	PX3
Output Power					
1kHz, Non-clip, 20msec Burst, Both channels driven	8	1000W x 2	800W x 2	500W x 2	300W x 2
	4	1200W x 2	1050W x 2	800W x 2	500W x 2
	2	700W x 2	600W x 2	500W x 2	300W x 2
	8 /Power Boost Mode	-	-	800W x 1	600W x 1
	4 /Power Boost Mode	-	-	1400W x 1	1000W x 1
Amplifier type (Output circuitry)		Class D, Balanced output circuit (BTL)			
THD+N	1kHz, 10W	0.1%			
	1kHz, Half power	0.3%			
Frequency Response	1W, 8 , 20Hz to 20kHz	±1.0dB			
Crosstalk	Half Power, 8 , 1kHz, Vol max input 150 shunt	≤ -60dB			
Dimensions (W x H x D)		480 mm x 88 mm x 388 mm (18-7/8" x 3-7/16" x 15-2/8")			
Net Weight		7.4 kg (16.31 lbs)	7.2 kg (15.87 lbs)	6.9 kg (15.21 lbs)	6.9 kg (15.21 lbs)

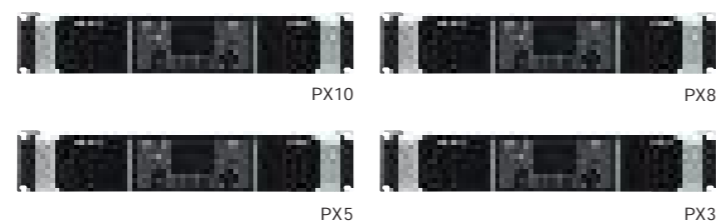
Block diagram



Dimensions



Lineup



POWER AMPLIFIER

PX SERIES

PX10 / PX8 / PX5 / PX3



YAMAHA CORPORATION
P.O. BOX 1, Hamamatsu Japan
www.yamahaproaudio.com

*All specifications are subject to change without notice.
*All trademarks and registered trademarks are property of their respective owners.



April 2016 Printed in Japan



Intelligent Processing. Serious Power.

Since the 1976 release of the P2200, our first professional power amplifier, Yamaha has strived to achieve the highest possible levels of sound quality, power output, and reliability in sound reinforcement, studio, and installed applications. The new PX series power amplifiers continue this tradition of excellence, utilizing Yamaha's renowned digital signal processing technology and unparalleled professional audio expertise to achieve a light, durable design, capable of delivering maximum output power to the speakers while simultaneously protecting them with optimized processing. Driven by a newly-developed Class-D amplifier the four new models that make up the PX series are suitable for a broad range of sound reinforcement and installation environments.

Powerful, Efficient Design

PX series models are driven by a newly developed Class-D amplifier engine that concentrates all the necessary functions into a single custom LSI chip, and uses PLL technology to control transfer characteristics in real time, achieving impressive sound quality and power. This new single-chip architecture offers higher output and improved performance in a more lightweight, yet reliable design. A combination of cutting-edge technology and an exhaustive component selection process make PX Series amplifiers supremely efficient amplifiers with low noise, reliable protection features, and above all, outstanding sound quality.



Sophisticated Signal Processing

PX series models come with flexible onboard PEQ, crossover, filters, delay, and limiter functions as standard, allowing quick and easy system setup via the LCD display, without the need for any additional outboard gear. All models also feature Yamaha's intelligent D-CONTOUR multi-band dynamic processing, allowing users to achieve consistent clarity and high-quality sound at any output level by tailoring the frequency response of each connected speaker for either front-of-house or monitor configurations.



Easy, Intuitive Setup

To accommodate users with varying levels of sound reinforcement experience, the PX series offers both Basic and Advanced setup modes. Basic mode allows even inexperienced users to easily configure a system that meets their needs, while Advanced mode offers experienced users more precise control over every aspect of their sound. All models feature eight programmable presets for instant recall and reduced setup time that can be saved to a USB thumb drive and shared with other PX amplifiers.

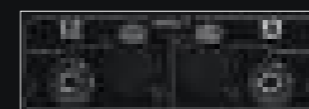


Config View

Flexible Connectivity, Durable Construction

Equipped with both XLR and TRS inputs, and binding post, SpeakON and phone outputs, PX Series amplifiers offer the flexibility needed for a variety of setups and environments, and the durability to stand up to extended road-use thanks to the sturdy chassis and carrying handle design.

INPUT



OUTPUT

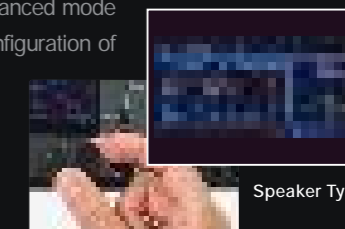


Versatile Lineup

With a lineup comprising four new models – 1,200 W x 2 PX10, 1050 W x 2 PX8, 800 W x 2 PX5, and 500 W x 2 PX3* – the PX series offers a versatile range of different power output capabilities suitable for a wide variety of sound reinforcement applications. The PX3 and PX5 also come equipped with a Power Boost Mode that combines the power output from two channels into one, achieving significantly higher single-channel power levels to drive high power handling speakers when needed (note that the number of channels available is halved in this case). *Power output figures rated at 4

Smart Configuration Wizard

The Config Wizard allows users to save even more time during system setup by assigning optimized speaker settings that match your system configuration— simply select the appropriate filter and crossover for each speaker, and Config Wizard will do the rest. Config Wizard also features presets* specifically tuned for each model in Yamaha's extensive lineup of passive speakers, including the popular CBR, Club, Installation, and VXS/VXC series, and an advanced mode that allows more detailed configuration of parameters such as input routing, input sensitivity, amp gain, and speaker impedance.



Speaker Type

*Presets may be added and updated in the future.

Utilities for Safe and Secure Operation

PX Series amplifiers make it fast and easy to configure panel settings, monitor amplifier status, and transfer data via USB, and also feature a panel locking function to keep your settings safe. Users can even export information such as internal device and log data to USB for rapid troubleshooting should difficulties arise.



Panel Lock