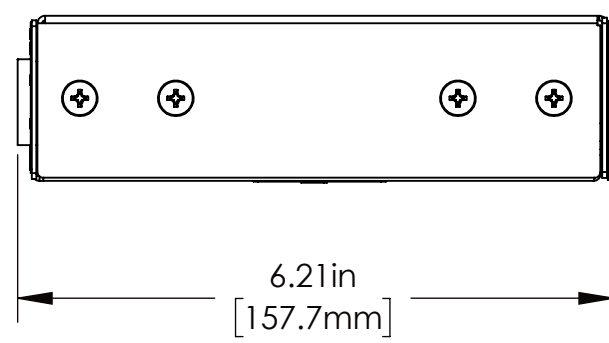
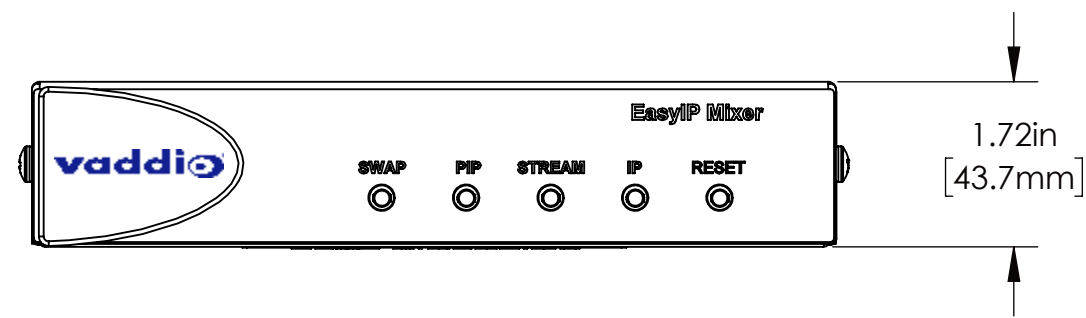


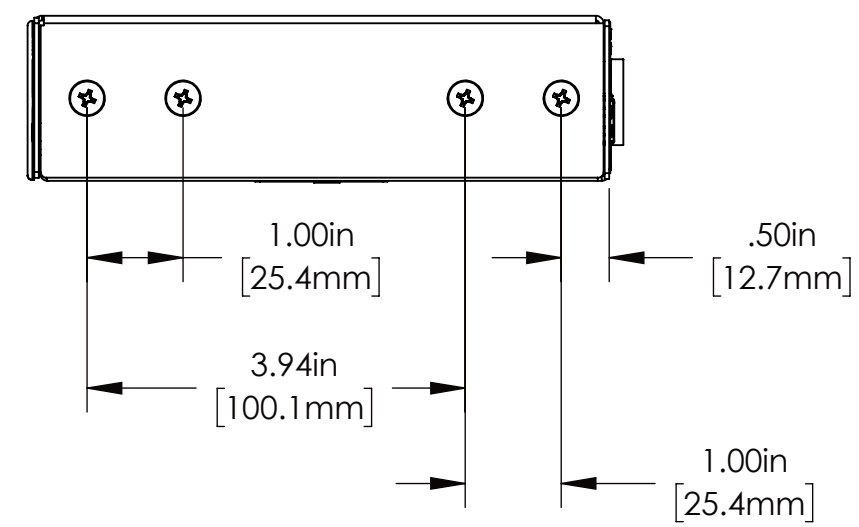
LEFT SIDE VIEW



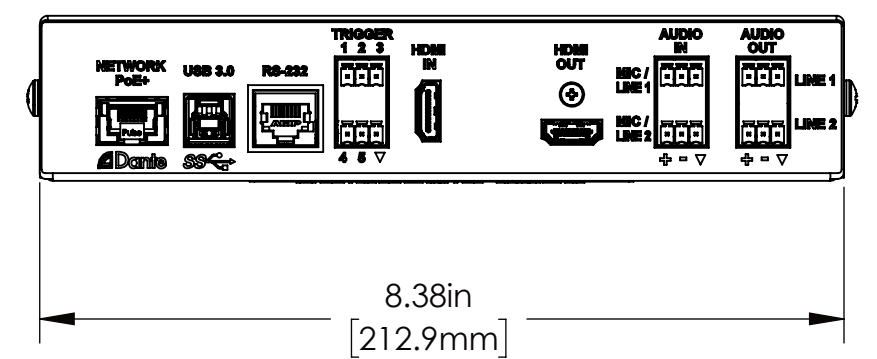
FRONT VIEW



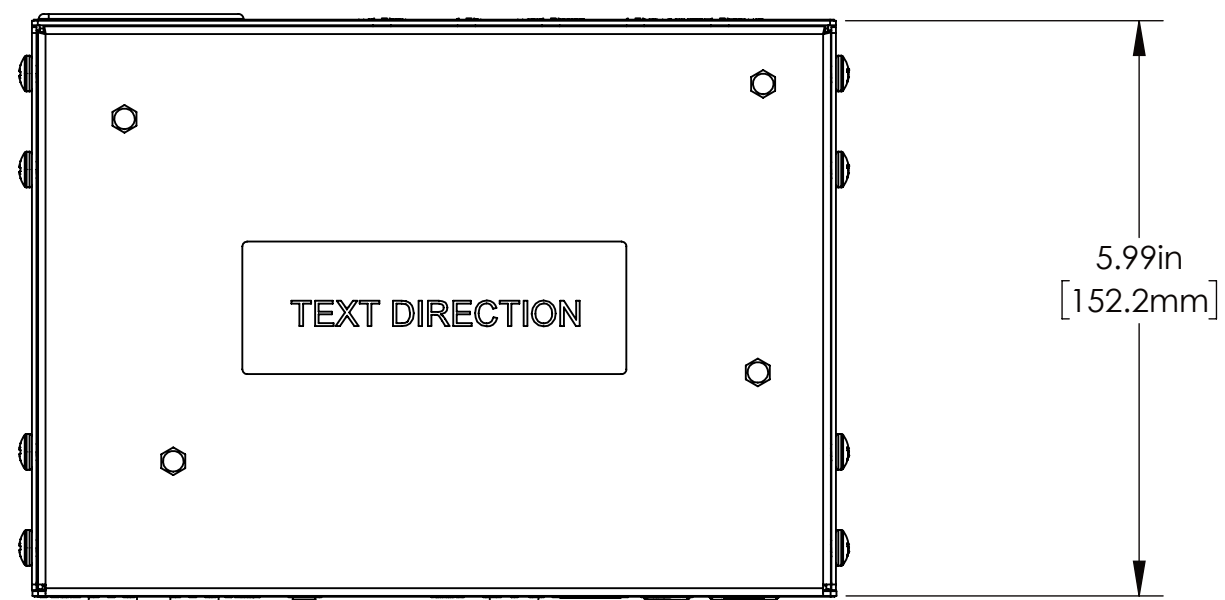
RIGHT SIDE VIEW



REAR VIEW



BOTTOM VIEW



UNLESS OTHERWISE NOTED:  
DIMENSIONS ARE IN INCHES  
DIMENSIONAL LIMITS APPLY AFTER FINISH  
MACHINED SURFACES 125  
EDGES & FILLETS R .005/.015  
FRACTIONS ± 1/32  
ANGLES ± 1°  
DEC. .XX = ± .015  
.XXX = ± .005  
.XXXX = ± .0002

THIS DRAWING, INCLUDING ALL SUBJECT MATTERS INDICATED THEREON OR DERIVED THEREFROM, COMPRISES PROPRIETARY INFORMATION AND IS THE EXPRESS PROPERTY OF LEGRAND AV INC. EMPLOYMENT, REPRODUCTION OR DISSEMINATION OF THIS DRAWING, IN WHOLE OR IN PART, WITHOUT WRITTEN PERMISSION OF LEGRAND AV INC IS STRICTLY FORBIDDEN.

DRAWN WLF	CHECKED	APPROVED	DATE 5/18/20
MATERIAL VARIOUS			SIZE C
FINISH NONE			SCALE 1:2

TITLE EasyIP Mixer	SHEET 1 OF 1	DRAWING NO. 998-60320-000	REV. A
-----------------------	-----------------	------------------------------	-----------