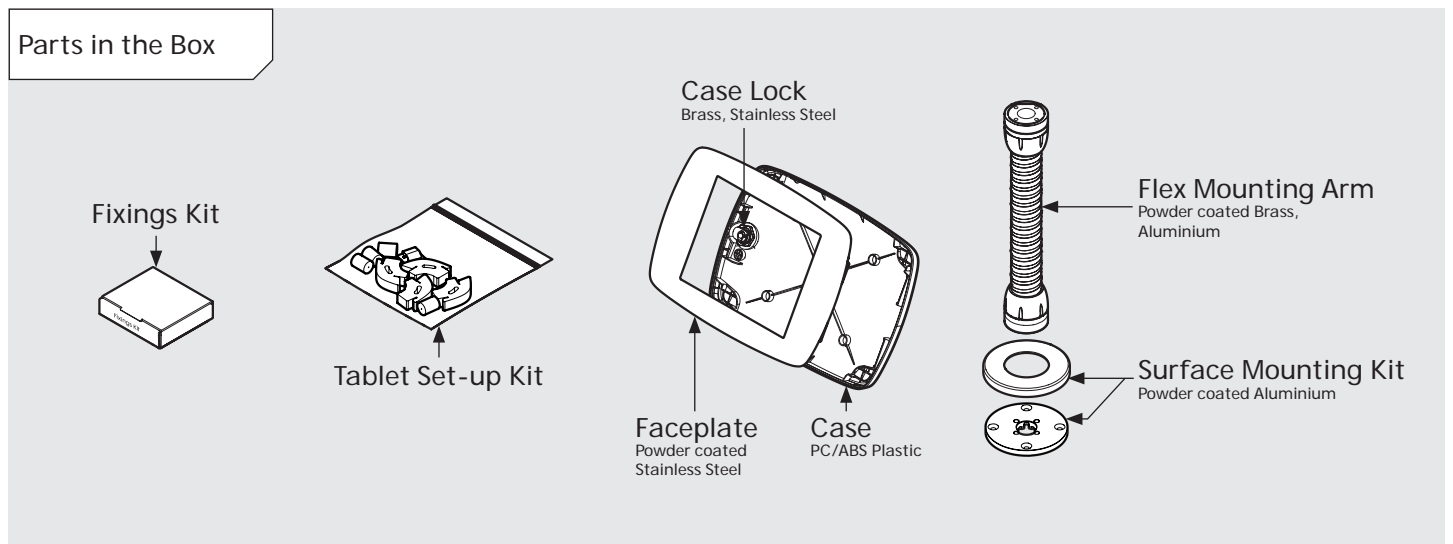
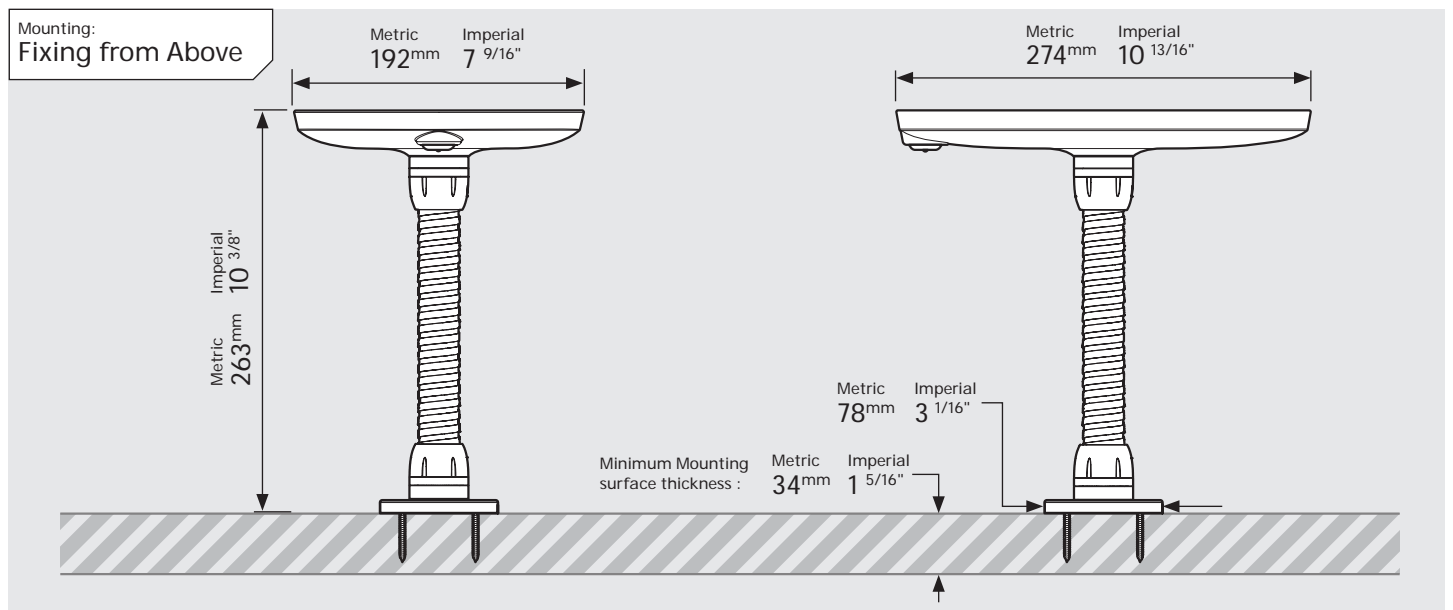
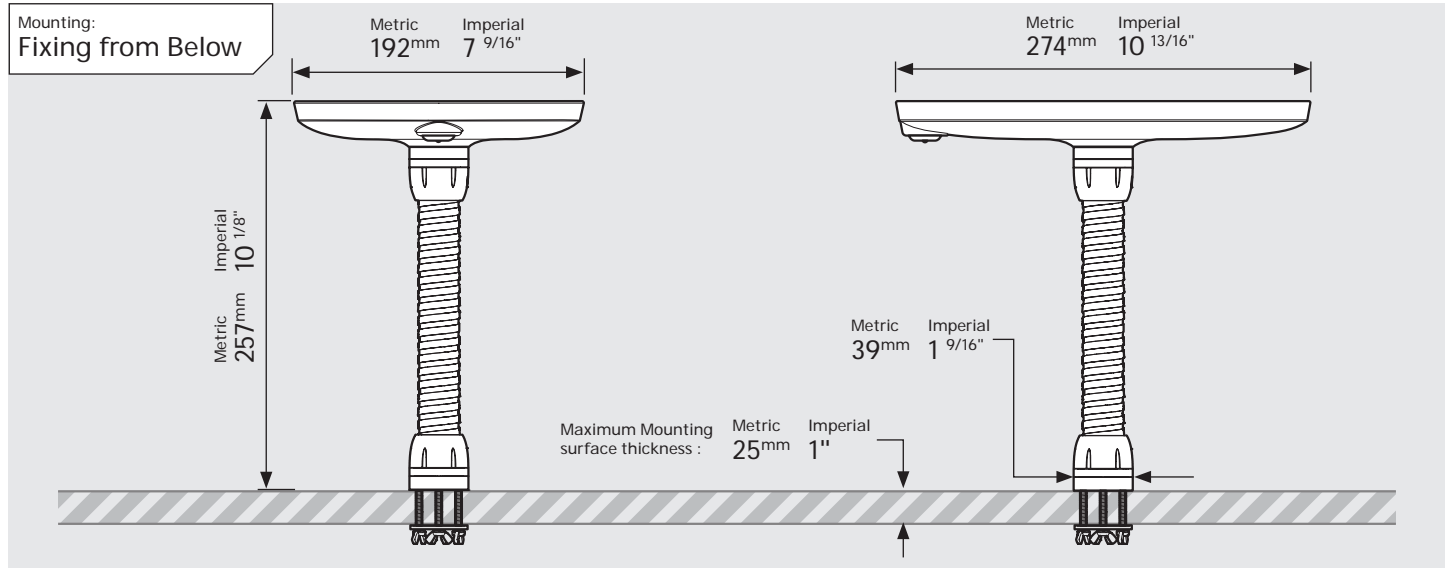


# PRODUCT DATA SHEET - FLEX (MINI CASE)

**bouncepad®**

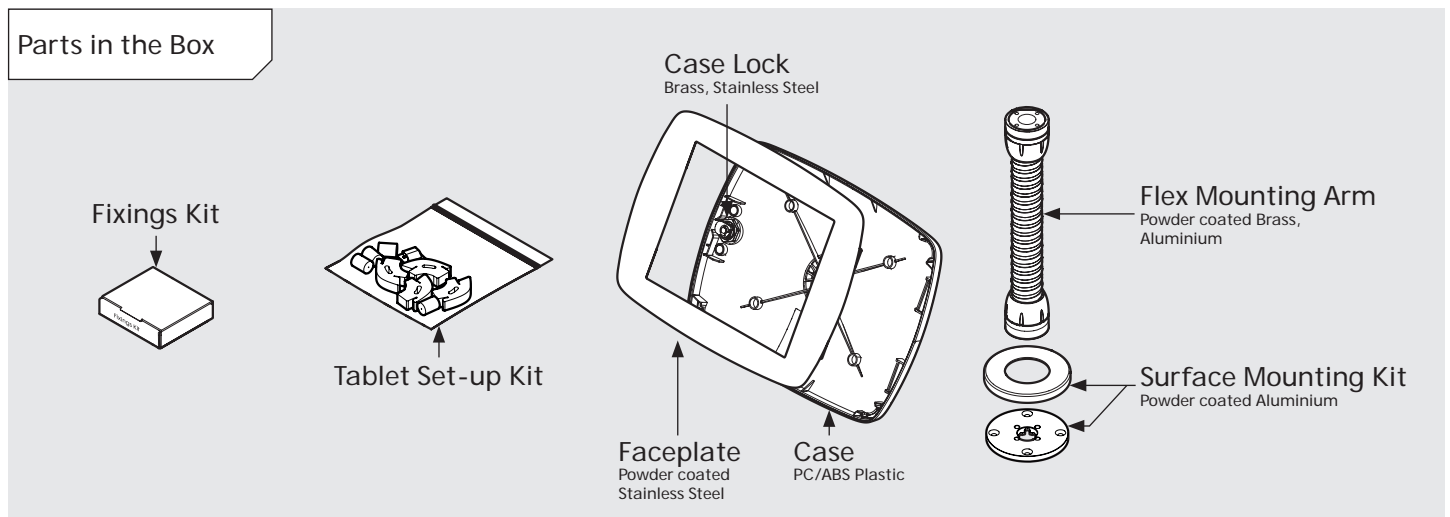
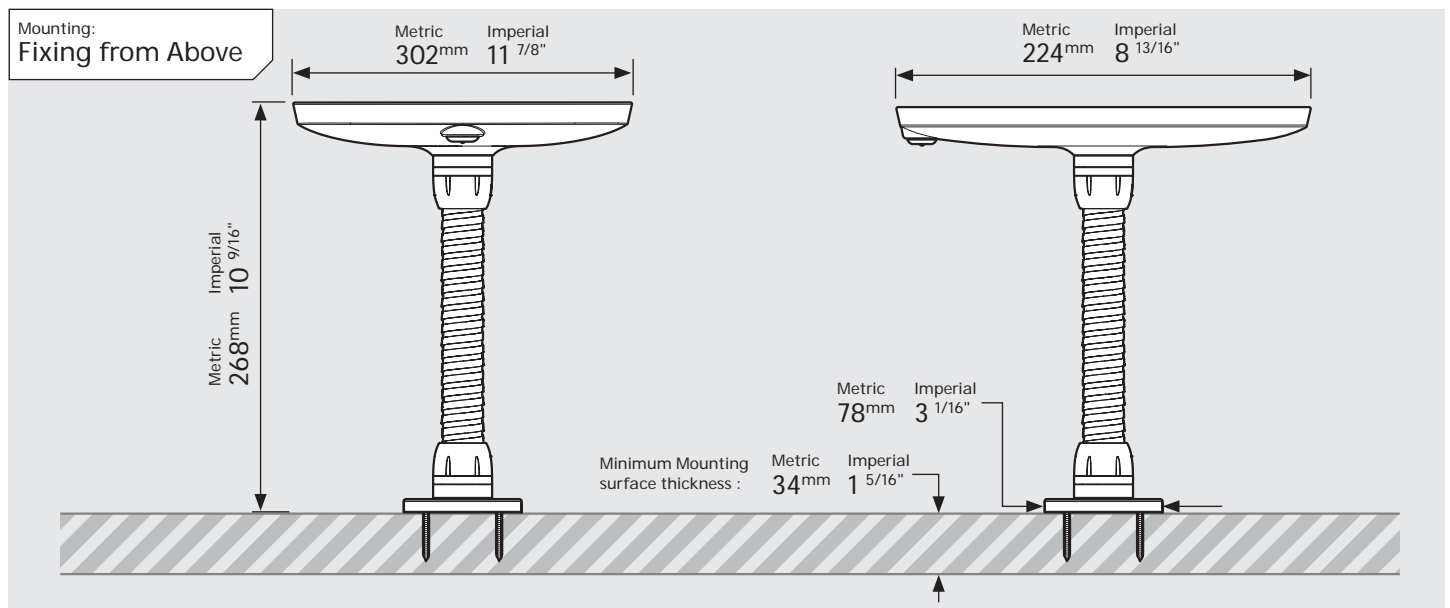
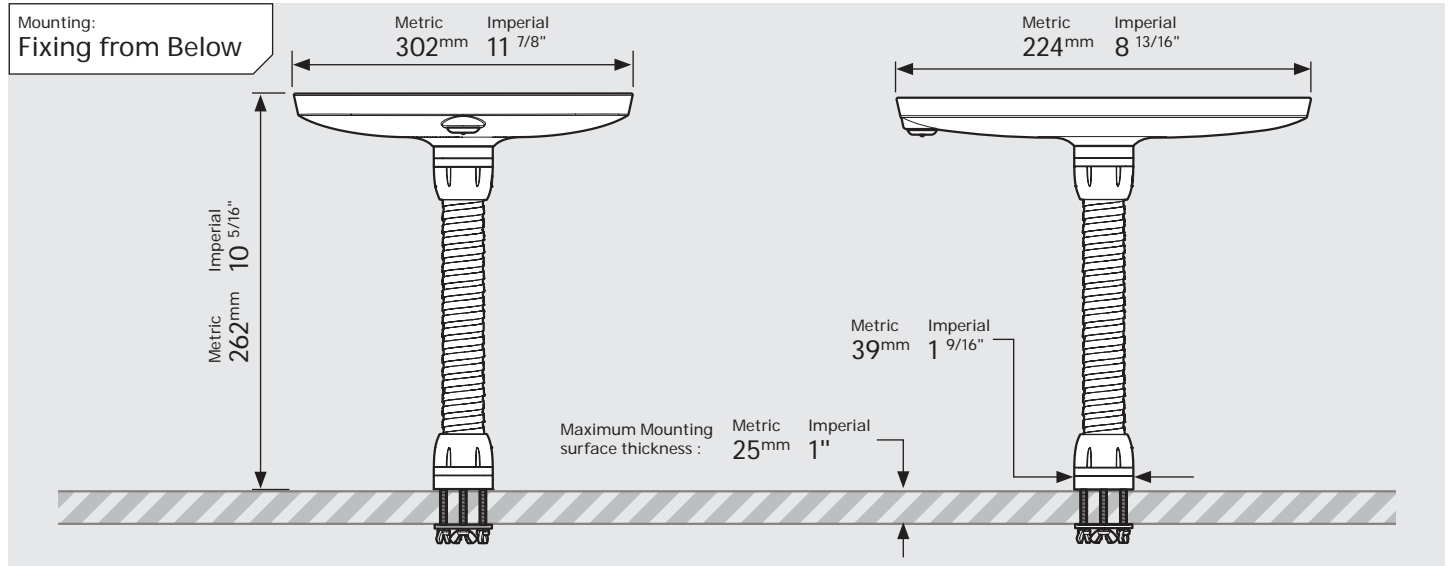
<b>Case:</b>	<b>Arm:</b>	<b>Mounting:</b>	<b>Packaged weight:</b>	<b>Colour:</b>
Mini	Flex	Fixing from <b>Below</b>  Fixing from <b>Above</b>	2.25kg	White Black



# PRODUCT DATA SHEET - FLEX (MIDI CASE)

**bouncepad®**

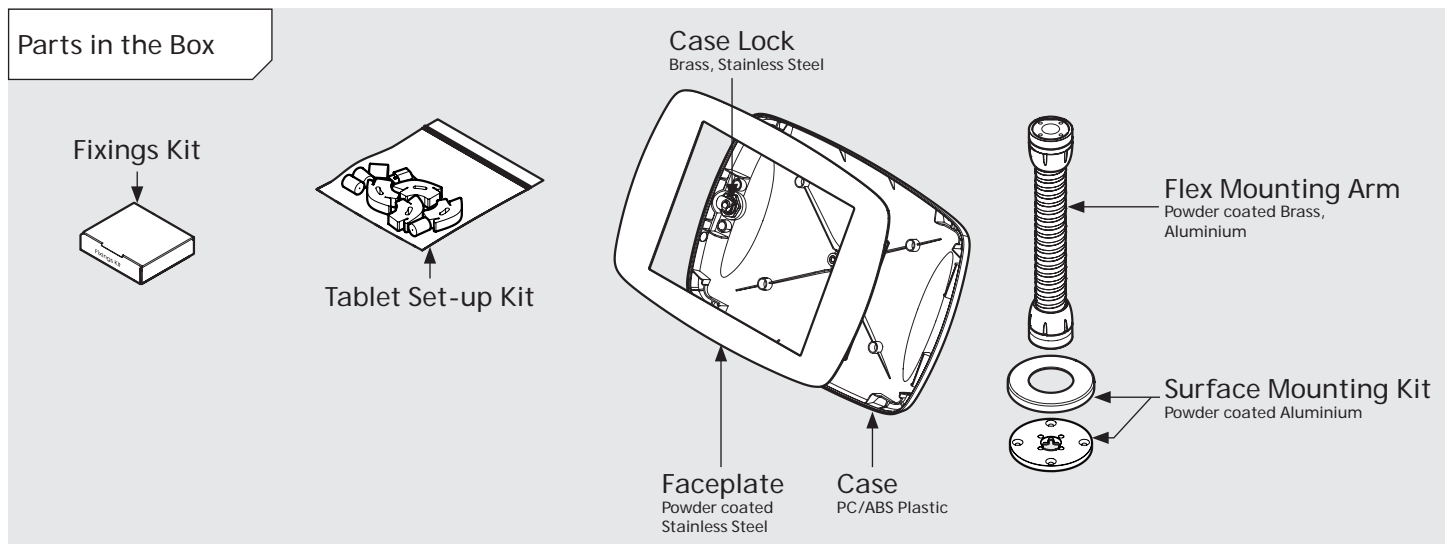
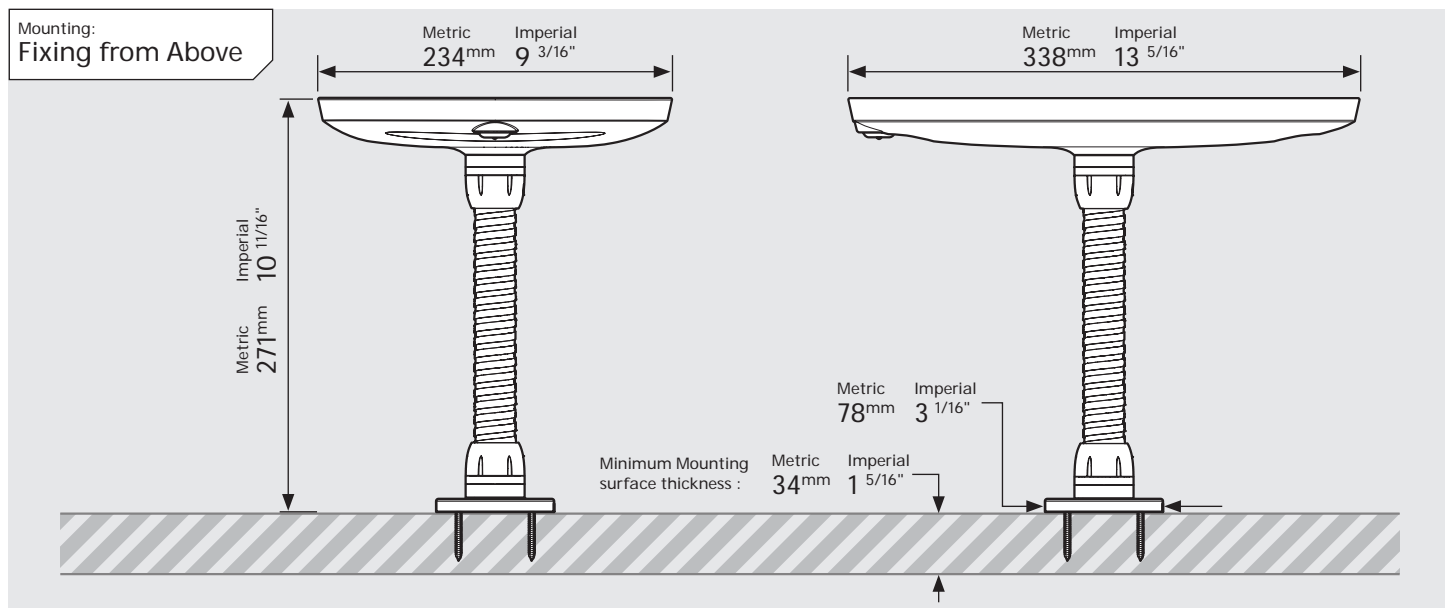
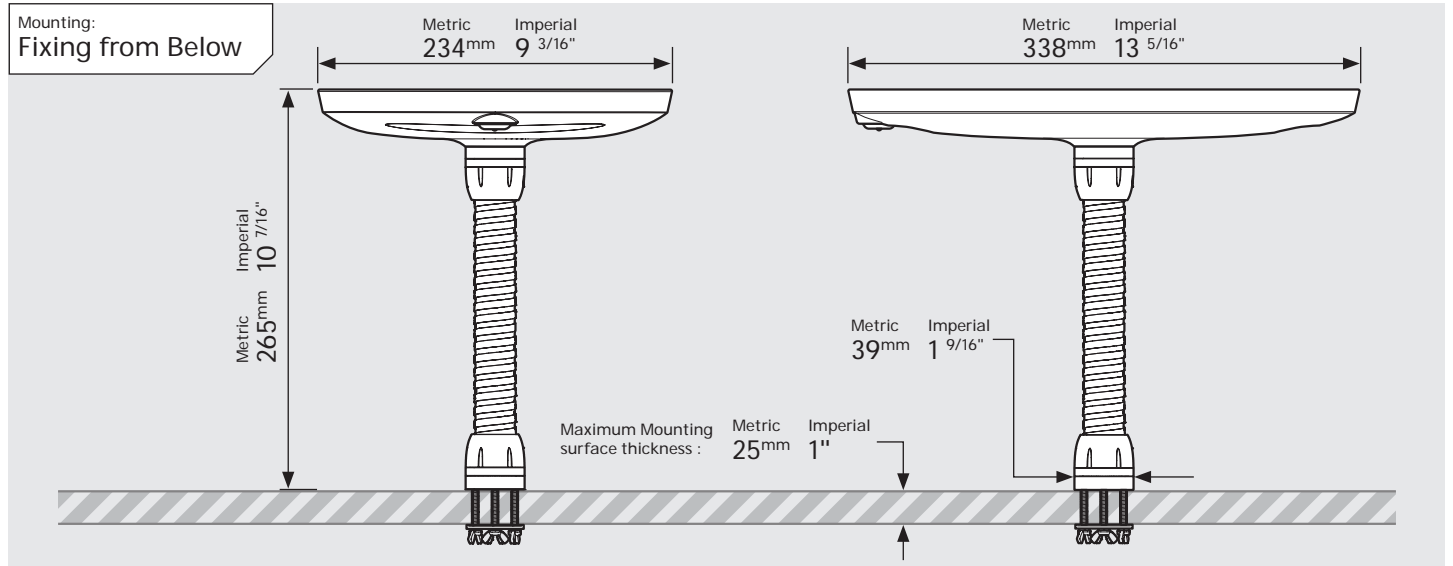
Case: Midi Arm: Flex Mounting: Fixing from Below Packaged weight: 2.43kg Colour: White  
 Fixing from Above Black



# PRODUCT DATA SHEET - FLEX (MAXI CASE)

**bouncepad®**

Case: Maxi    Arm: Flex    Mounting: Fixing from Below  
 Fixing from Above    Packaged weight: 2.66kg    Colour: White  
 Black



# PRODUCT DATA SHEET - FLEX (MEGA CASE)

**bouncepad®**

Case: Mega    Arm: Flex    Mounting: Fixing from Below  
 Fixing from Above    Packaged weight: 3.05kg    Colour: White  
 Black

