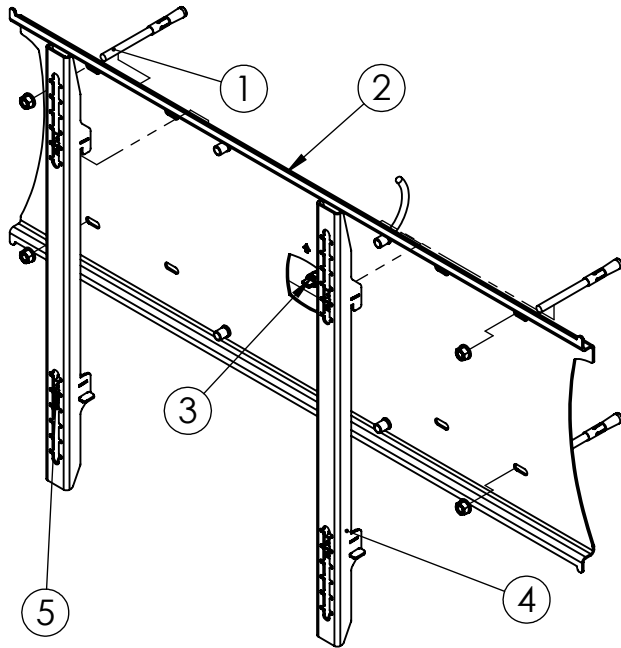


Threaded Inserts to allow fitting to trolley or ceiling adapter

|  |  |                                      |            |              |                              |
|--|--|--------------------------------------|------------|--------------|------------------------------|
| Description  |  | PzX9 Universal Flat Mount 1000 X 600 |            |              |                              |
| UNLESS OTHERWISE SPECIFIED:<br>DIMENSIONS ARE IN MILLIMETERS |  | Mod Date                             | 20/12/2016 | REVISION     | See Below - Fixings Required |
|  |  | Drawn Date:                          | 04/02/2016 |              |                              |
| SURFACE FINISH: Powder Coated                                |  |                                      |            | A-014        | Fixing Kit Type 6            |
| DRAWN Ricky Clark  |  | Material                             |            |              |                              |
| Unicol Engineering<br>Green Road<br>Oxford OX3 8EU           |  | Gauge                                |            |              | DWG NO.                      |
|  |  |                                      |            |              | PZX9U                        |
|  |  |                                      |            |              | A4                           |
| WEIGHT: 12.30  |  | Kg                                   |            | SCALE:1:10   | DO NOT SCALE DRAWING         |
|  |  |                                      |            | SHEET 1 OF 2 |                              |

Bend Tool

All Fixings must be approved  
by a builder or architect  
and these are only shown for illustrational purposes



Ensure that the walls the load - (screen including all bracketry and peripherals).

1. Mount the bracket to the screen and measure off to establish the location of the mount fixing points
2. Place the back plate (2) at the location required and mark though the fixing locations, Ideally fit (1) one location point then pilot drill through the remaining ones after confirmation it is in the correct location and is level.
3. Pass any cables though (3) making certain that they will not be trapped by any moving parts
4. Fit the arms (5) to the screen using the supplied fixings (4)
5. Lift the screen with the arms attached on to the side fixings using an assistant to help with the load and fit the cables in place

|  |  |                                      |          |                       |                      |
|--|--|--------------------------------------|----------|-----------------------|----------------------|
| Description  |  | Pzx9 Universal Flat Mount 1000 X 600 |          |                       |                      |
| UNLESS OTHERWISE SPECIFIED:<br>DIMENSIONS ARE IN MILLIMETERS | Mod Date   | 20/12/2016                           | REVISION | Bend & Machine Number |                      |
|  | Drawn Date:  | 04/02/2016                           | A-014    |                       |                      |
| SURFACE FINISH: Powder Coated                                | DRAWN <b>Ricky Clark</b>                           |                                      | Material | DWG NO. <b>PZX9U</b>  |                      |
|  | Unicol Engineering<br>Green Road<br>Oxford OX3 8EU |                                      | Gauge    |                       |                      |
| Bend V Tool  | WEIGHT: 12.30                                      |                                      | Kg       | SCALE:1:10            | DO NOT SCALE DRAWING |
|  |  |                                      |          | SHEET 2 OF 2          | A4                   |