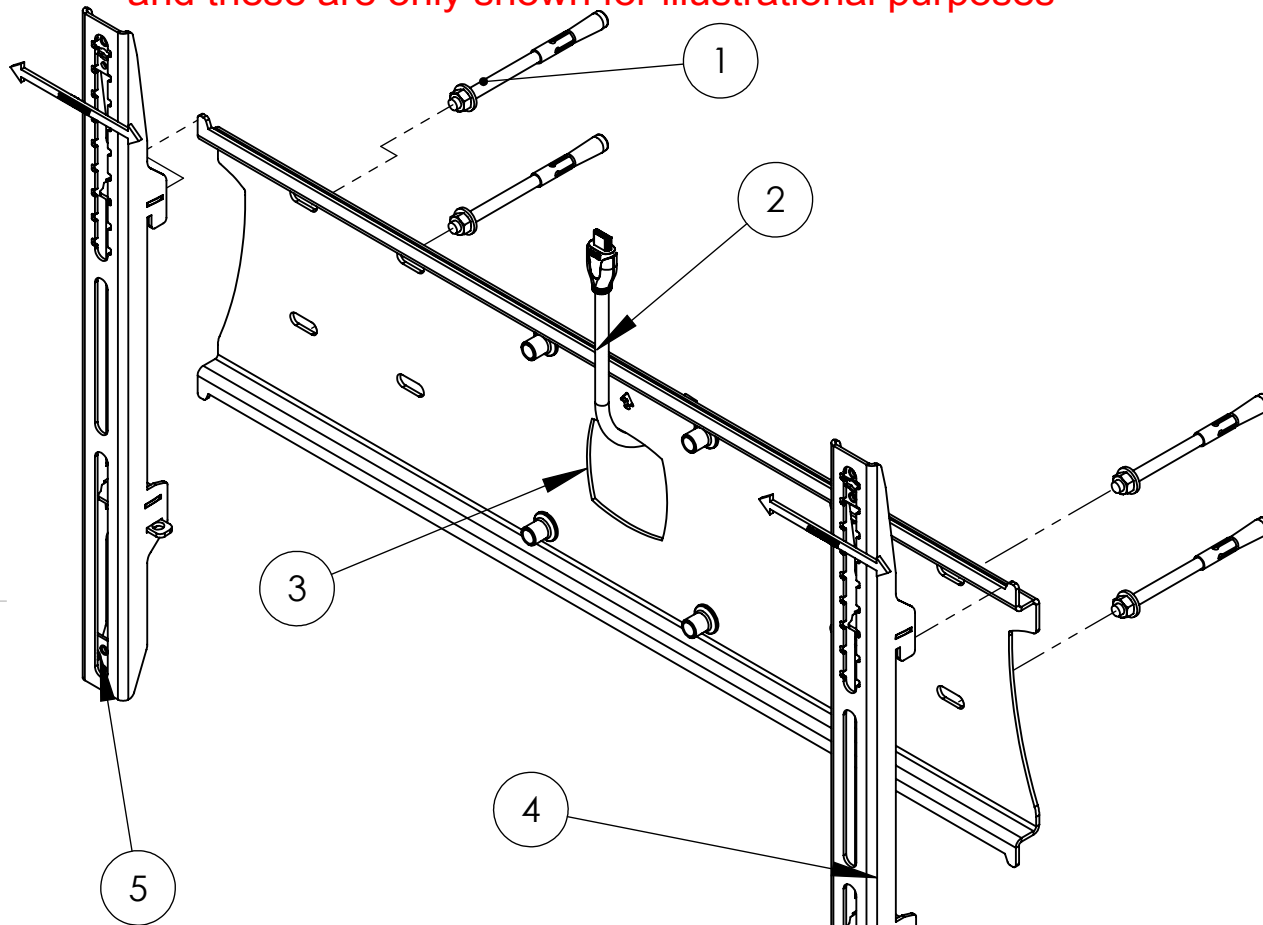


Description		Pz1 Pozimount Type 1 Non-Tilting			
UNLESS OTHERWISE SPECIFIED: DIMENSIONS ARE IN MILLIMETERS		Mod Date	08/04/2016	REVISION	Bend & Machine Number
		Drawn Date:	09/02/2007		
SURFACE FINISH: Powder Coated		DRAWN Ricky Clark		Material	
Unicol Engineering Green Road Oxford OX3 8EU		Gauge		DWG NO.	
				PZX1U	
WEIGHT:		Kg		SCALE:1:10	DO NOT SCALE DRAWING
				SHEET 1 OF 2	

Bend Tool

A4

All Fixings must be approved by a builder or architect and these are only shown for illustrational purposes



Ensure that the walls the load - (screen including all bracketry and peripherals).

1. Mount the bracket to the screen and measure off to establish the location of the mount fixing points
2. Place the back plate (2) at the location required and mark though the fixing locations, Ideally fit (1) one location point then pilot drill through the remaining ones after confirmation it is in the correct location and is level.
3. Pass any cables though (3) making certain that they will not be trapped by any moving parts
4. Fit the arms (5) to the screen using the supplied fixings (4)
5. Lift the screen with the arms attached on to the side fixings using an assistant to help with the load and fit the cables in place

Description Pzx1 Pozimount Type 1 Non-Tilting

UNLESS OTHERWISE SPECIFIED:
DIMENSIONS ARE IN MILLIMETERS
SURFACE FINISH: Powder Coated

Mod Date 08/04/2016
Drawn Date: 09/02/2007

REVISION
A-036

Bend & Machine Number

DRAWN Ricky Clark

Material

Unicol Engineering
Green Road
Oxford OX3 8EU

Gauge

DWG NO.

PZX1U

A4

Bend V Tool

WEIGHT: Kg

SCALE:1:5 DO NOT SCALE DRAWING SHEET 2 OF 2