



FITS FLAT & ANGLED CEILINGS

BT7808

CEILING / WALL MOUNT WITH TILT FOR Ø50MM POLES

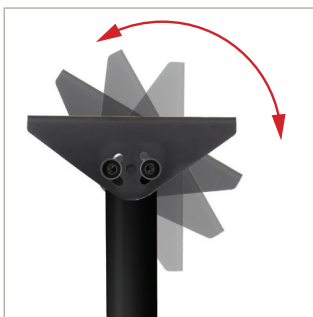
Designed to ceiling mount Ø50mm poles, the BT7808 features an adjustable tilt mechanism with a tilt range of up to 90°. This makes it ideal for mounting at screens and projectors to flat or angled ceilings and also allows wall mounted installations in both portrait or landscape configurations.

SPECIFICATION

Max Load	140kg
Tilt	+90°
Colour	Black

FEATURES

- Ideal solution to pole mount screens and projectors to flat or angled ceilings
- Allows poles to be mounted on to walls in landscape or portrait configurations
- Supplied with safety bolt for secure installation
- Keyhole fitting for hassle free 'hook-on' installation



Up to +90° tilt of pole for angled ceilings or walls



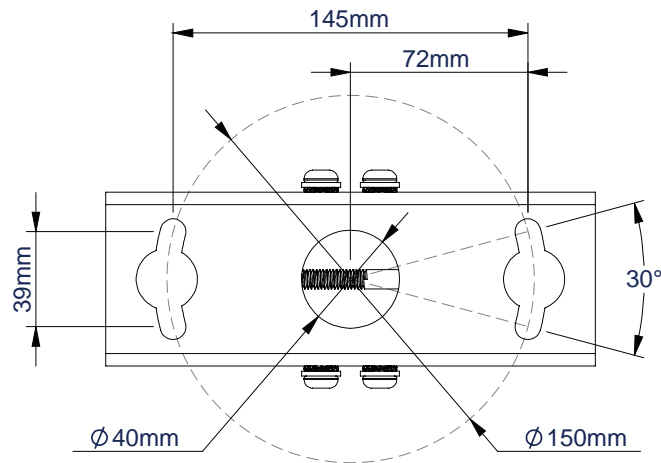
Keyhole fitting for hassle free 'hook-on' installation



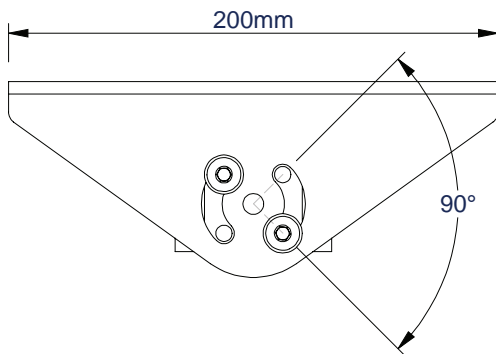
Pole mount screens from flat or angled ceilings



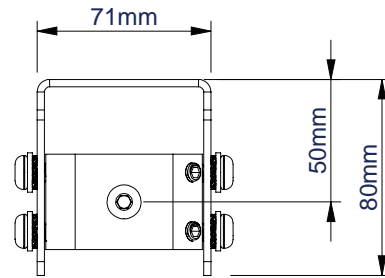
Also ideal for mounting projectors to the ceiling



TOP VIEW



SIDE VIEW



FRONT VIEW

PACKING INFORMATION

COLOUR:	ORDER REF:	EAN CODE:	MASTER CARTON QTY:	INNER CARTON QTY:	MASTER CARTON WEIGHT:	MASTER CARTON CUBE:
Black	BT7808/B	5019318759697	1	0	0.98kg	0.002cbm

ACCESSORIES AND RELATED PRODUCTS FOR USE WITH BT7808



BT7850
50mm diameter poles available in different lengths up to 3m



BT7841
50mm Accessory Collar for xing mounts & accessories to Ø50mm poles



BT8431-PRO
Flat Screen Wall Mount with Tilt fits to Ø50mm poles using 2x BT7841 collars



BT899
Heavy Duty Projector Mount fits directly to Ø50mm poles

© 2015 B-Tech Mounts Limited. All rights reserved. This information is for reference only. The information is subject to change without notice. The information is not intended to be used as a substitute for the manufacturer's instructions. B-Tech Mounts Limited is not responsible for any damage caused by misuse or modification of the product. Any reproduction or transmission of any part of this document without the written permission of B-Tech Mounts Limited is prohibited.

SS-BT7808-V1-1-020615