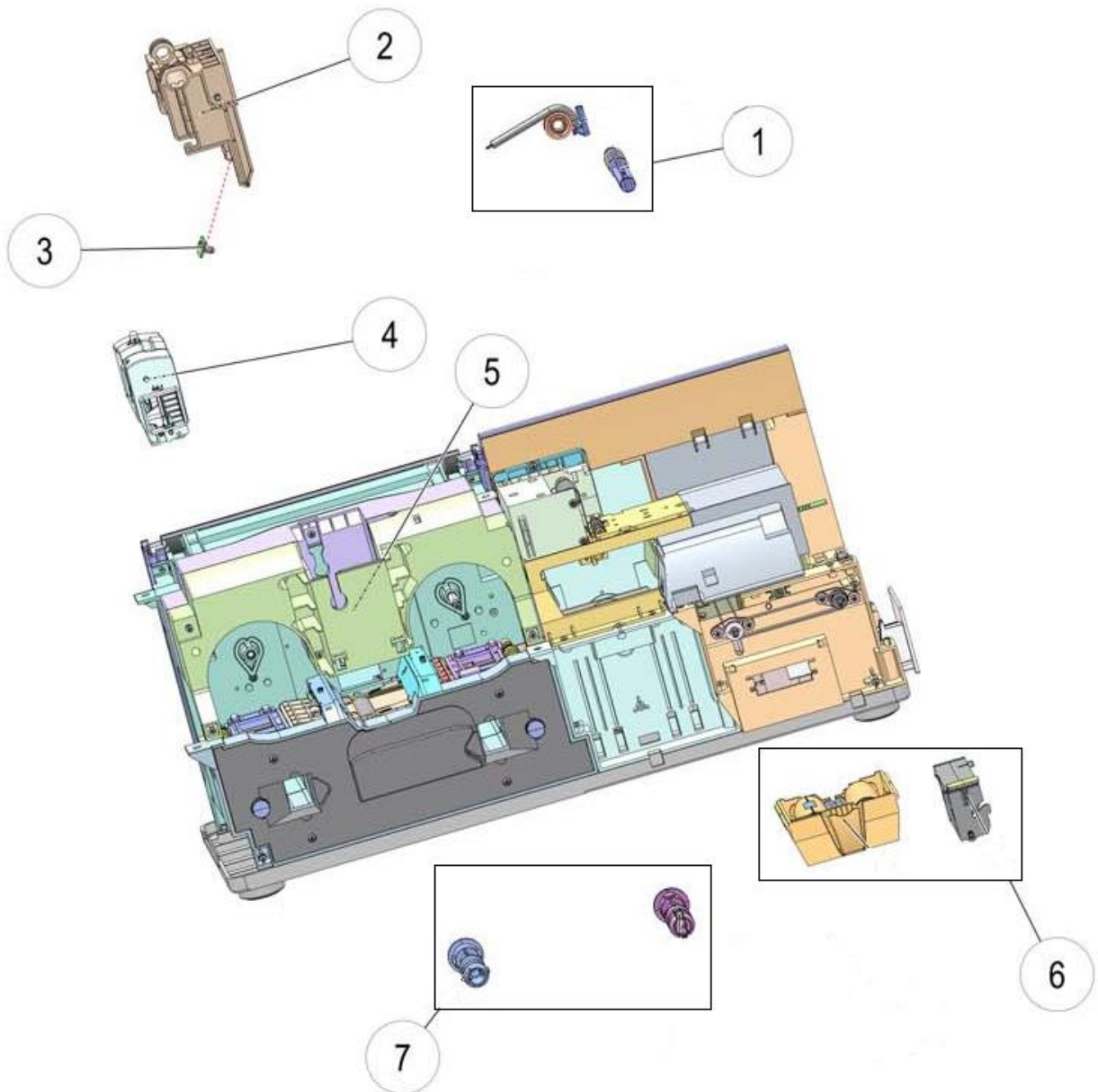




# Zebra® ZXP Series 7™ Card Printer

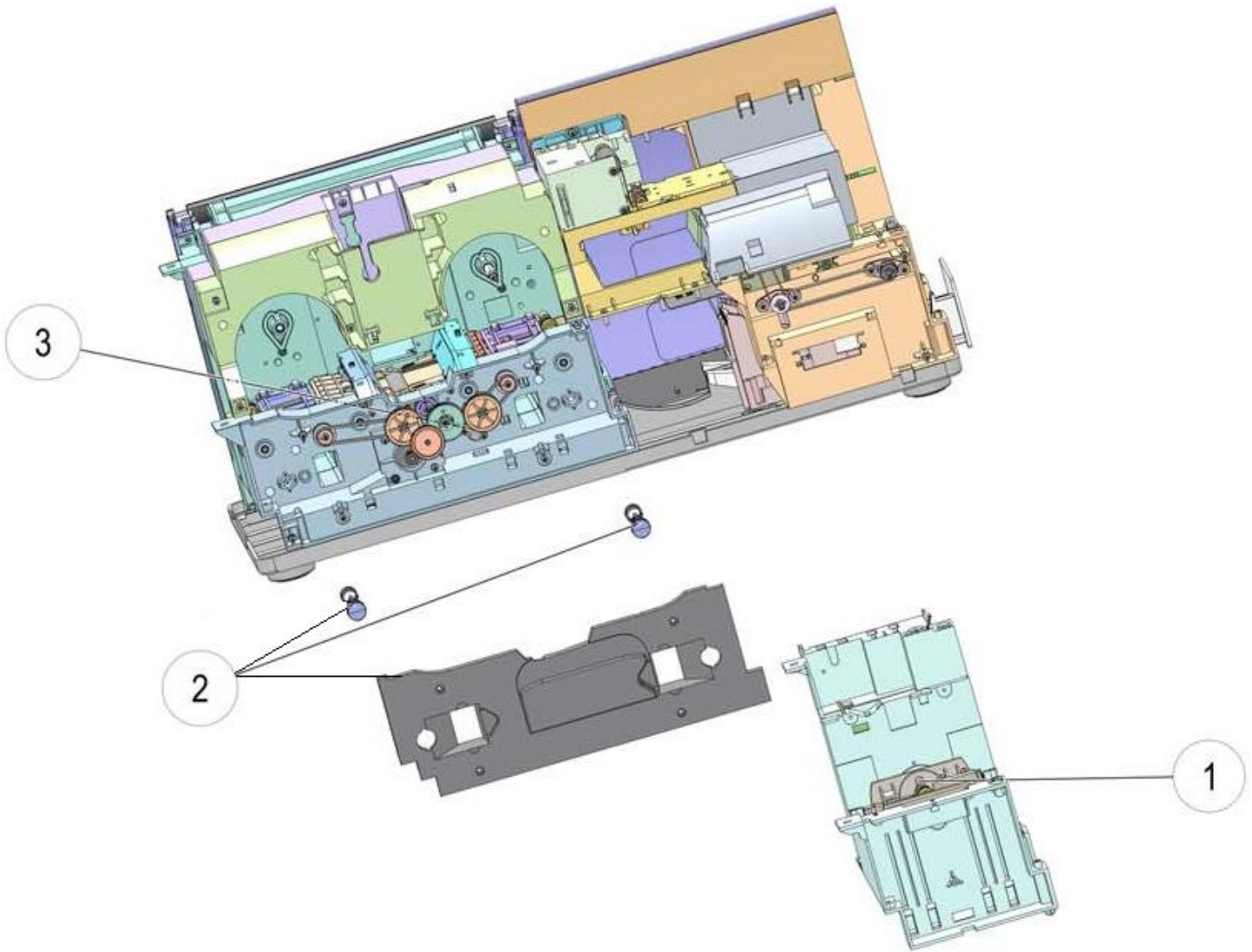
## Spare Parts Catalog

**Zebra Technologies International, LLC**  
**ZXP Series 7 Printer Spare Parts Catalog**

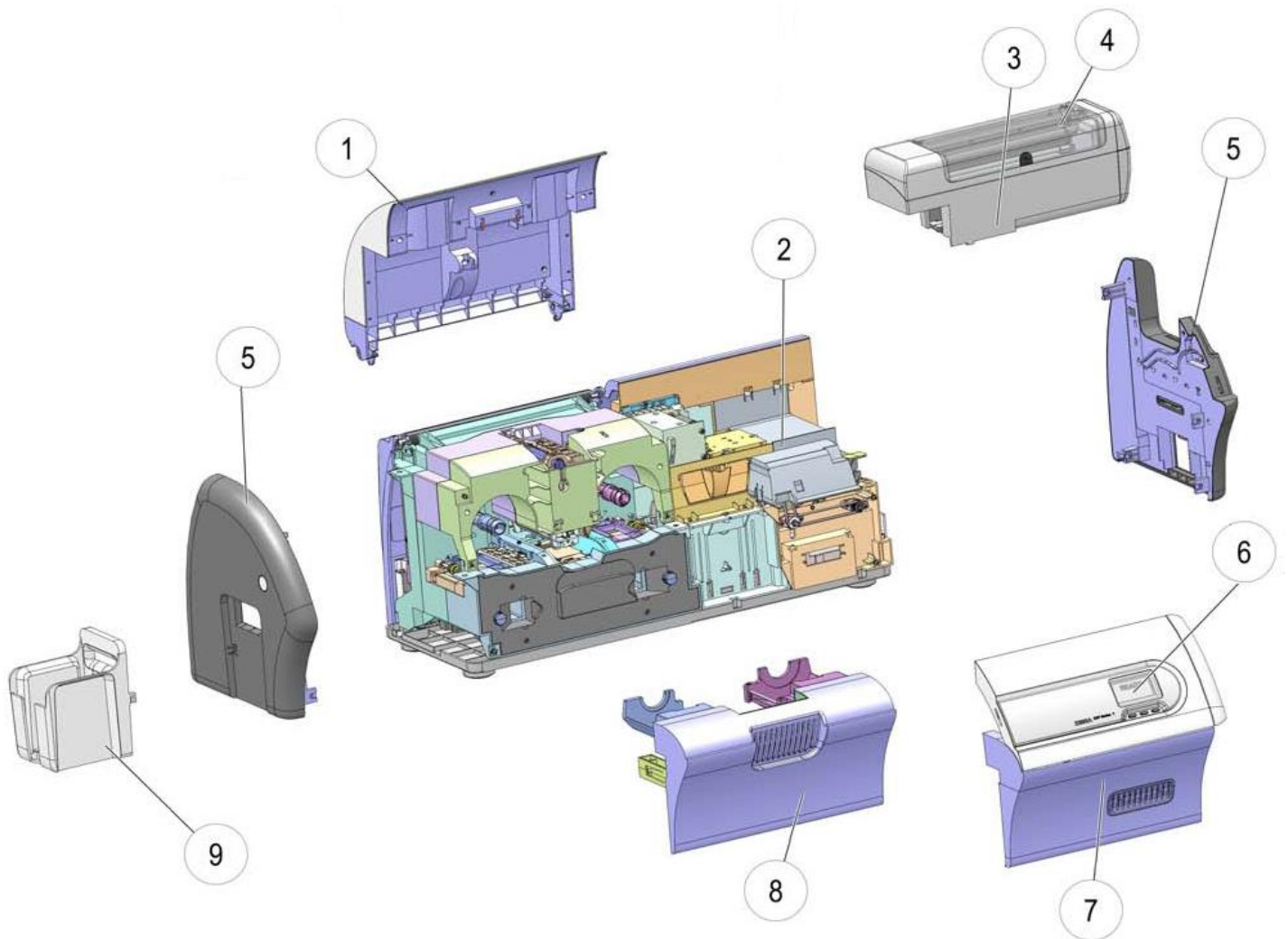


Item Number	Description	Part Number	Kit Quantity
1	Kit Latch & Springs for Printhead Housing ZXP7	P1037750-008	1
2	Kit Housing for Printhead ZXP7	P1037750-007	1
3	Kit Ribbon Sensor ZXP7	P1037750-028	1
4	Kit Printhead Assembly ZXP7	P1037750-006	1
5	Kit Covers for Printhead ZXP7	P1037750-009	1
6	Kit Cleaning Cartridges ZXP7	P1037750-046	1
7	Kit Ribbon Spindles ZXP7	P1037750-083	1

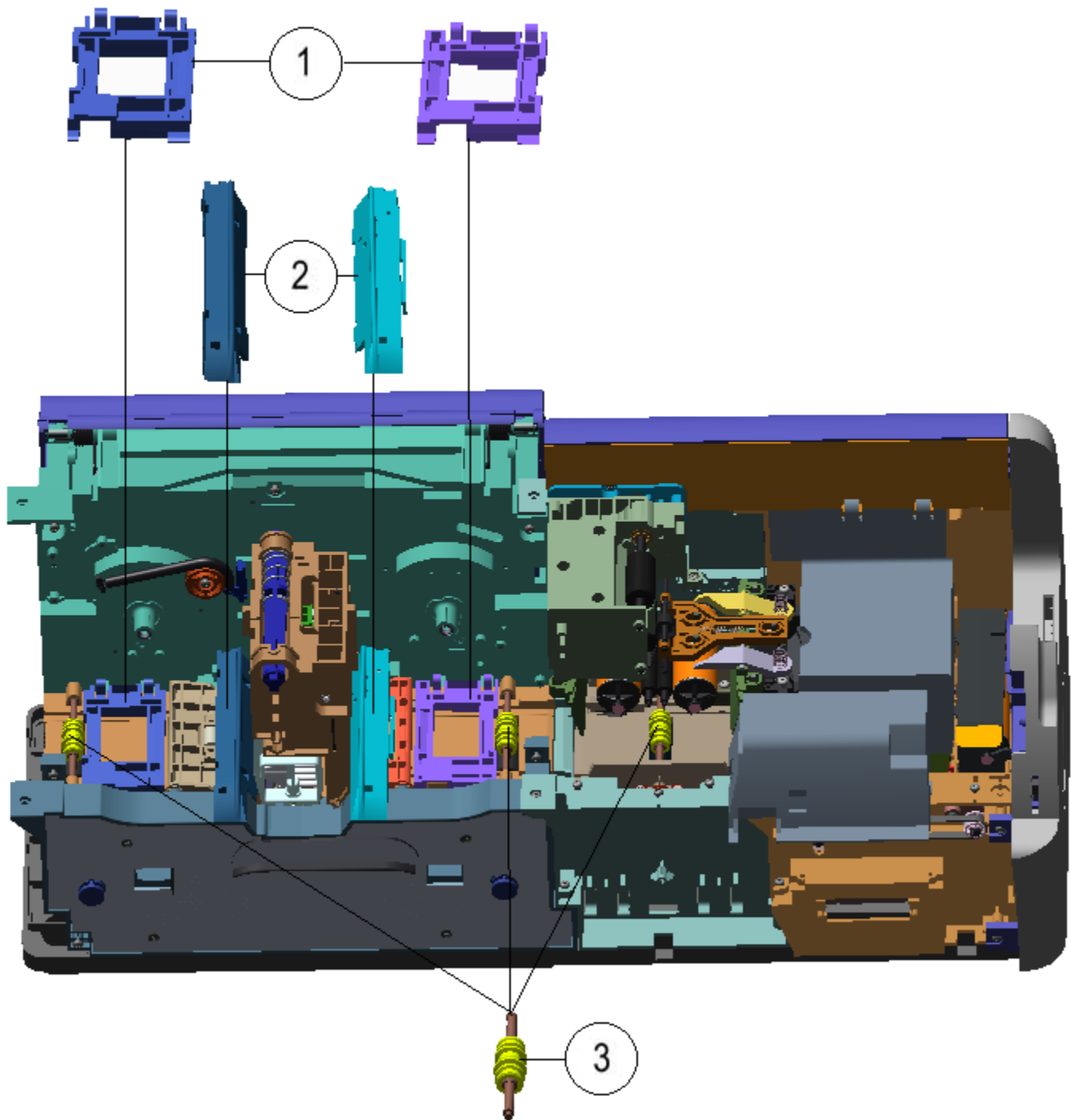
**Zebra Technologies International, LLC**  
**ZXP Series 7 Printer Spare Parts Catalog**



Item Number	Description	Part Number	Kit Quantity
1	Kit Flipper Assembly ZXP7	P1037750-075	1
2	Kit Panel Plungers and Springs ZXP7	P1037750-072	1
3	Kit Cam Sensor ZXP7	P1037750-036	1

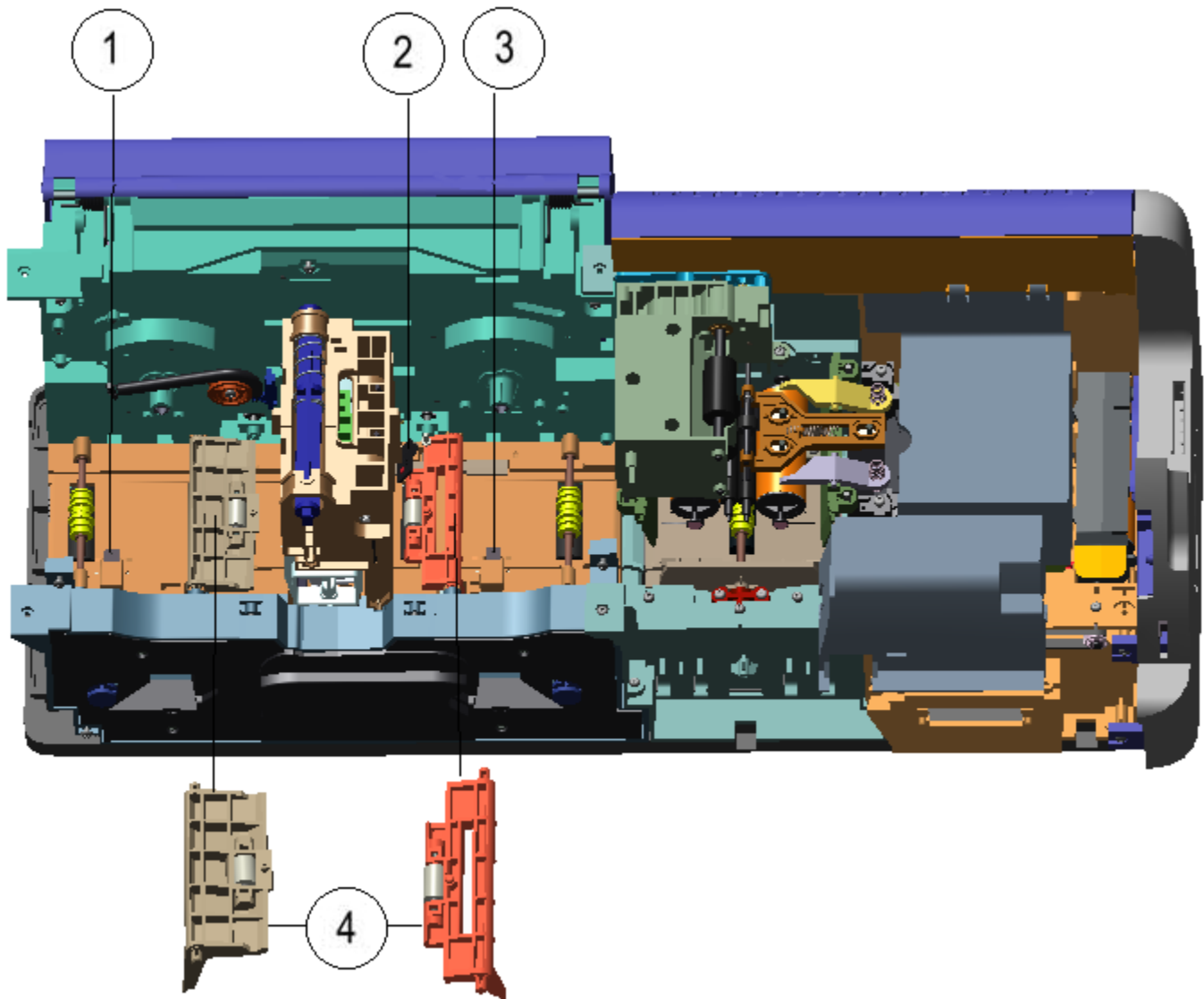


Item Number	Description	Part Number	Kit Quantity
1	Kit Print Engine Door Assembly ZXP7	P1037750-063	1
	Kit Print Engine Door Assembly with Lock ZXP7	P1037750-163	1
2	Kit Shroud for Options ZXP7	P1037750-079	1
3	Kit Feeder Cartridge Standard ZXP7	P1037750-159	1
	Kit Feeder Cartridge Locking ZXP7	P1037750-188	1
4	Kit Feeder Cover ZXP7	P1037750-060	1
5	Kit Left and Right Cover Assemblies ZXP7	P1037750-065	1
	Kit Left & Right Cover Assemblies with Lock ZXP7	P1037750-165	1
6	Kit Operator Control Panel ZXP7	P1037750-014	1
7	Kit Option Module Cover Assembly ZXP7	P1037750-064	1
	Kit Option Module Cover Assembly with Lock ZXP7	P1037750-164	1
	Kit, Cover Assembly Option Module ZXP7 Pro (Printer Z7x-xxxxxx <b>H</b> xxxxx)	P1037750-264	1
	Kit, Cover Assembly Option Module ZXP7C (Printer Z7x-xxxxxx <b>C</b> xxxxx)	P1037750-364	1
8	Kit Print Engine Drawer ZXP7	P1037750-068	1
9	Kit Output Hopper ZXP7	P1037750-073	1



Item Number	Description	Part Number	Kit Quantity
1	Kit Print Engine Card Guides	P1037750-124	1
2	Kit Ribbon Close Outs ZXP7	P1037750-043	1
3	Kit Flexible Rollers ZXP7 (Qty of 3)	P1037750-049	3

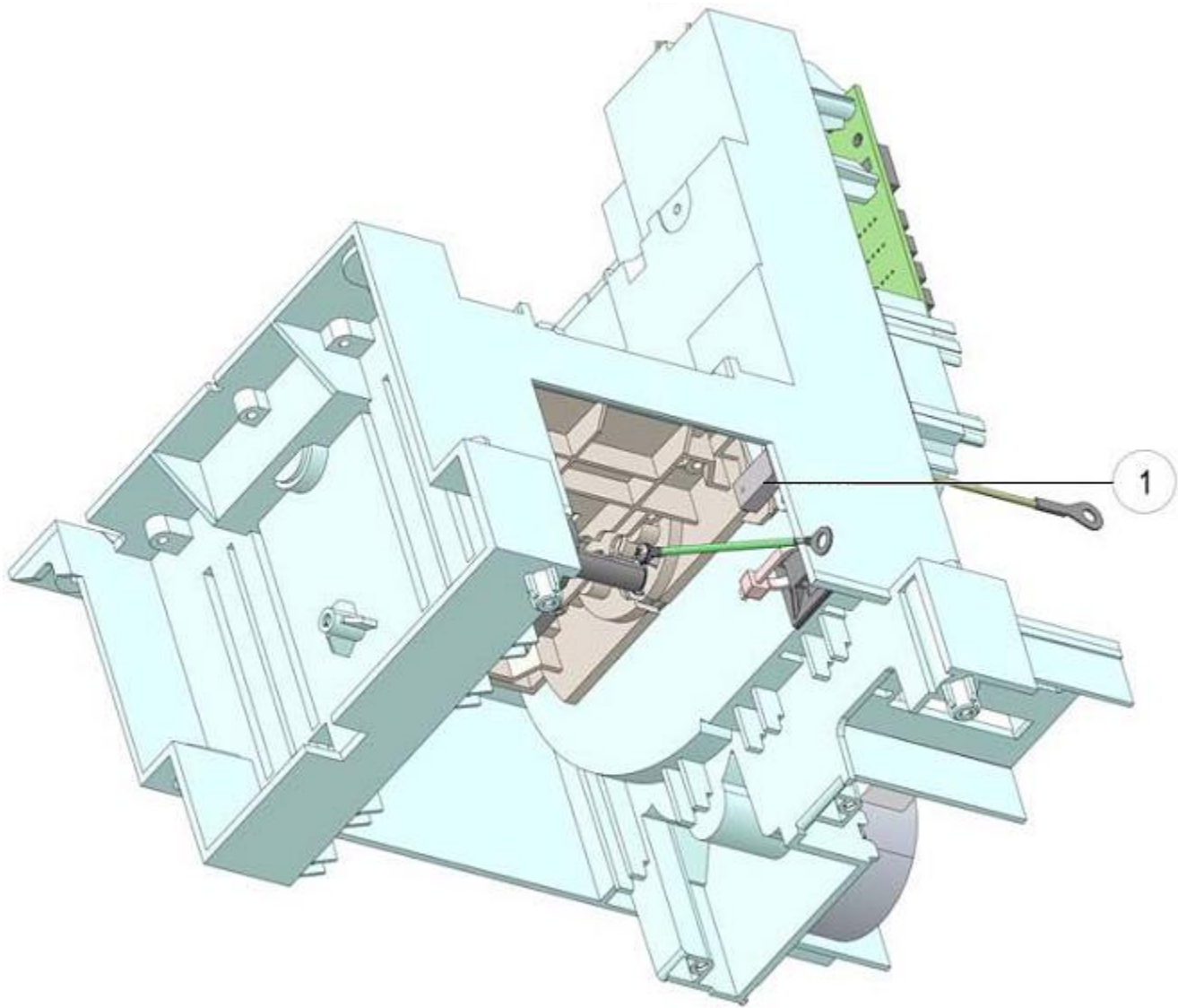
**Zebra Technologies International, LLC**  
**ZXP Series 7 Printer Spare Parts Catalog**



Item Number	Description	Part Number	Kit Quantity
1	Kit Exit Sensor ZXP7	P1037750-038	1
2	Kit Ribbon Tricolor Sensor ZXP7	P1037750-040	1
3	Kit Sync Sensor ZXP7	P1037750-037	1
4	Kit Pinch Roller Assemblies ZXP7	P1037750-047	1
Not Shown	Kit, Thermistor, Print Engine Platen	P1037750-118	1



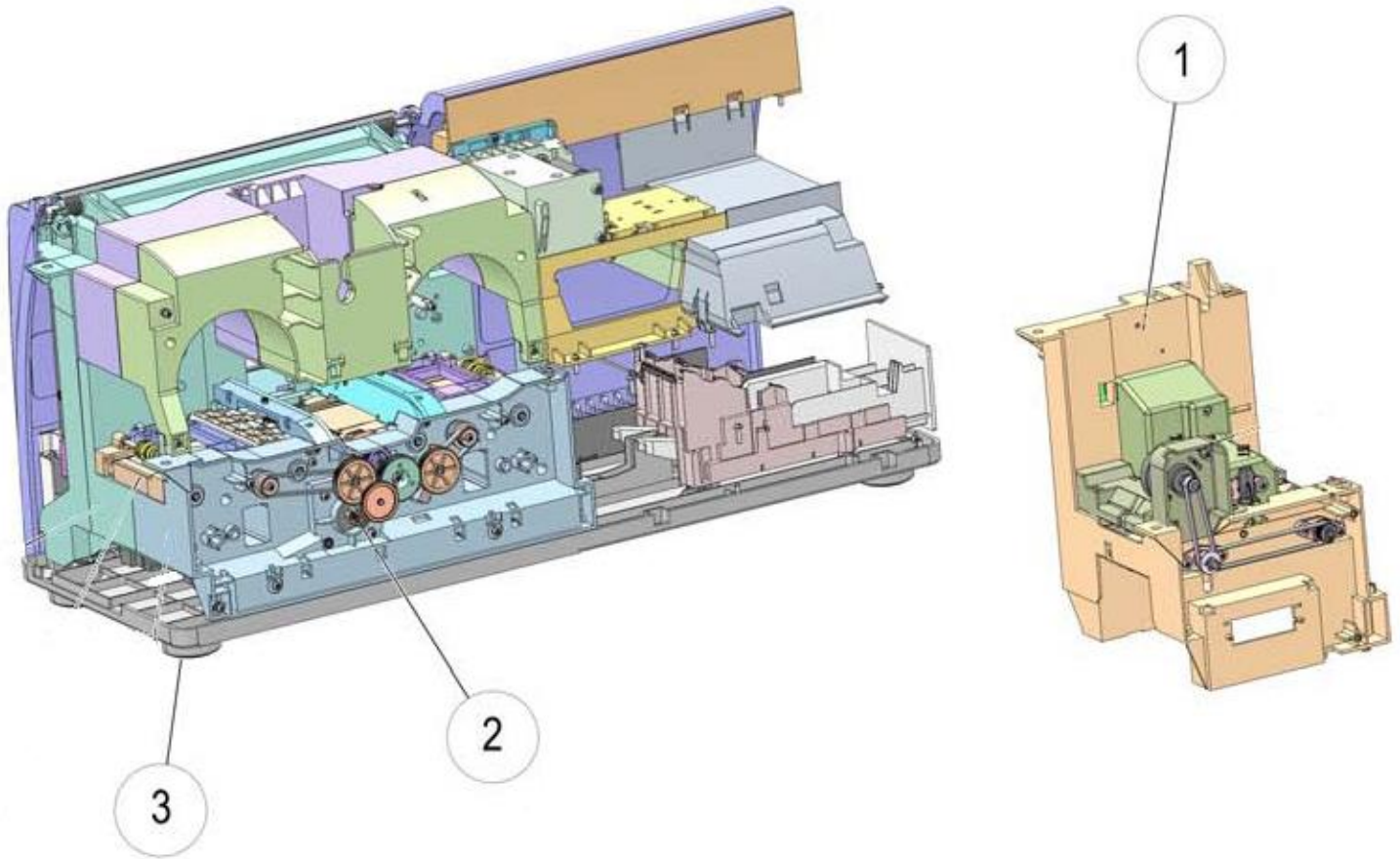
Item Number	Description	Part Number	Kit Quantity
1	Kit Platen Rollers ZXP7 (contains all platen rollers)	P1037750-050	1



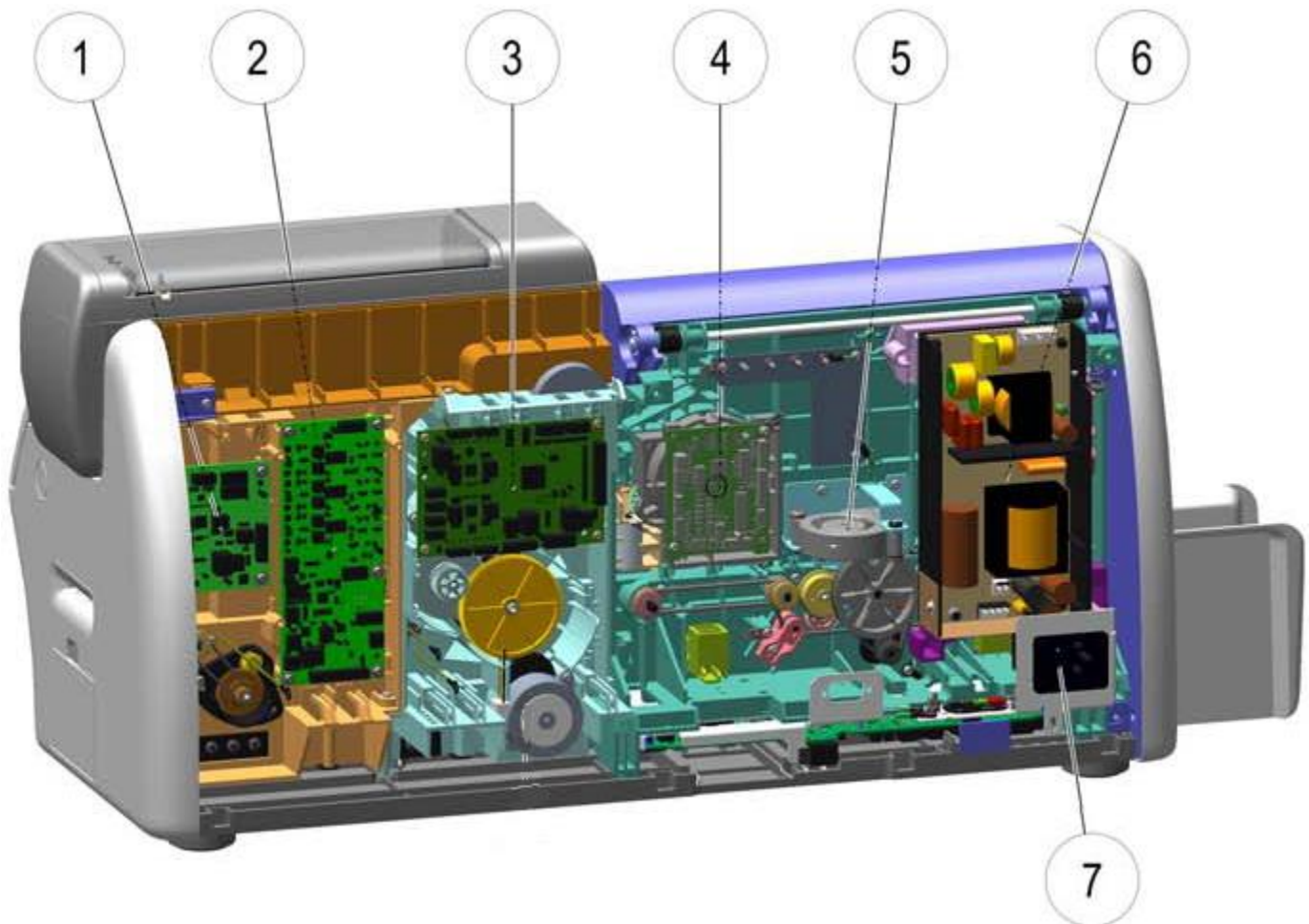
Item Number	Description	Part Number	Kit Quantity
1	Kit Flipper Position Sensor ZXP7	P1037750-034	1



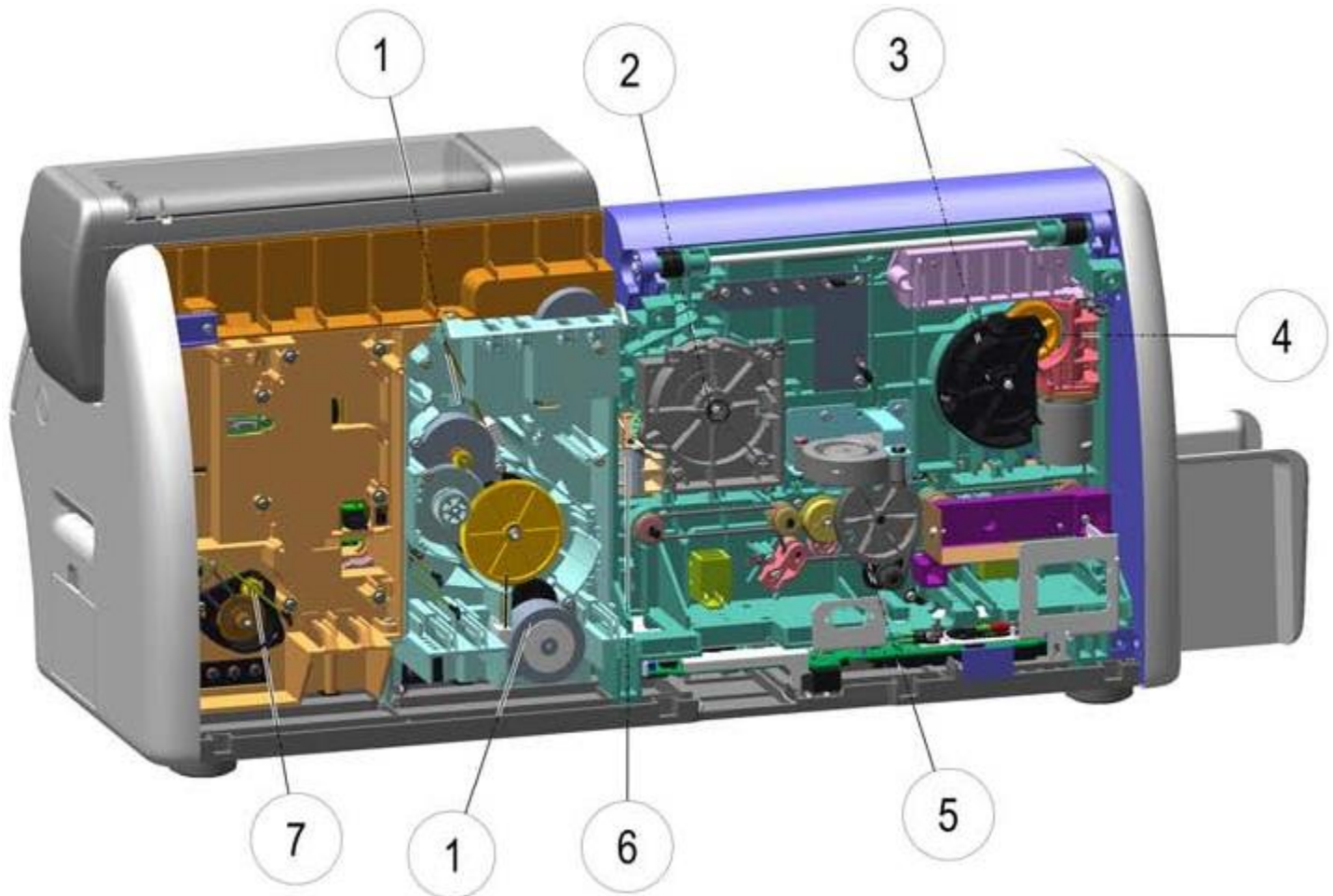
**Zebra Technologies International, LLC**  
**ZXP Series 7 Printer Spare Parts Catalog**



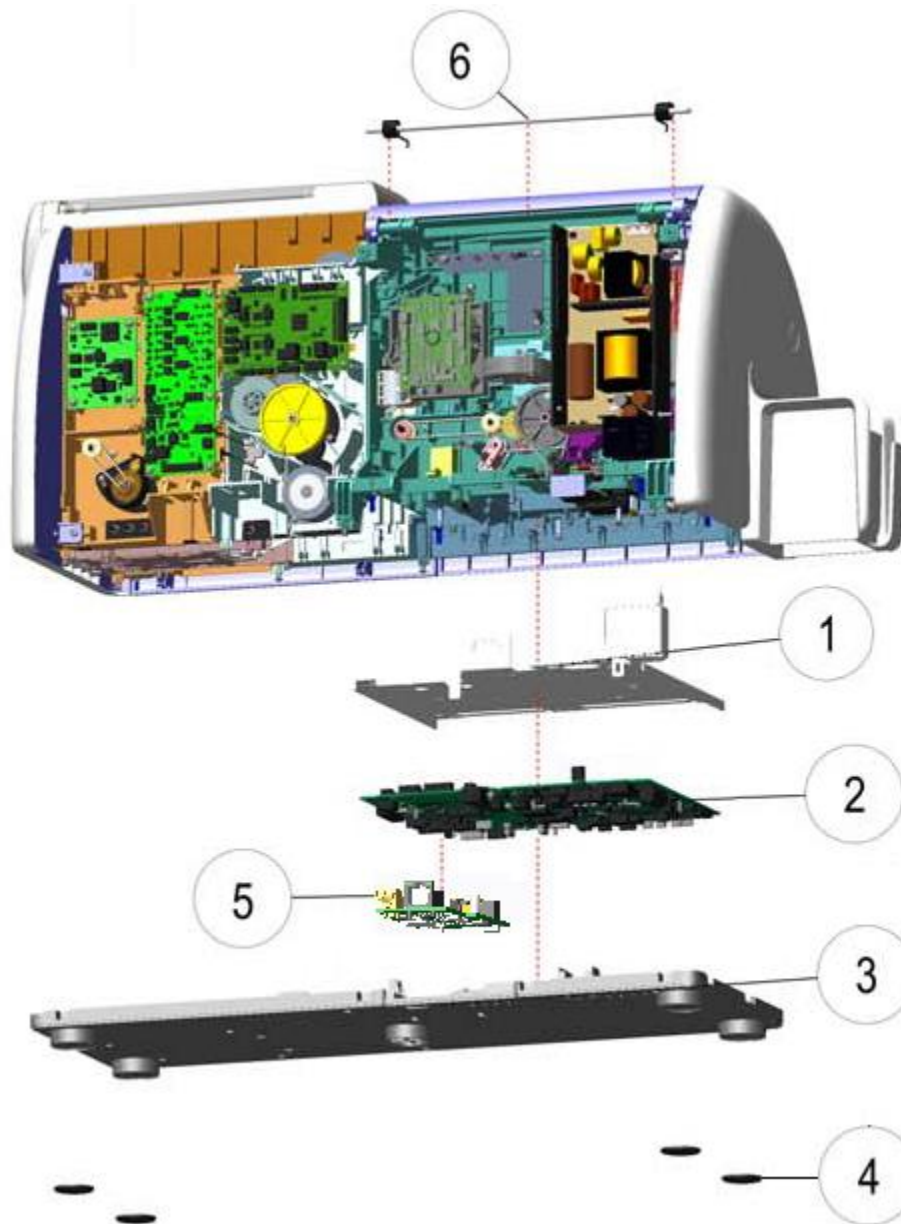
Item Number	Description	Part Number	Kit Quantity
1	Kit Options Module ZXP7	P1037750-013	1
2	Kit Drive Motor Printhead Lift ZXP7	P1037750-055	1
3	Kit Feet ZXP7 (Qty of 12)	P1037750-082	12



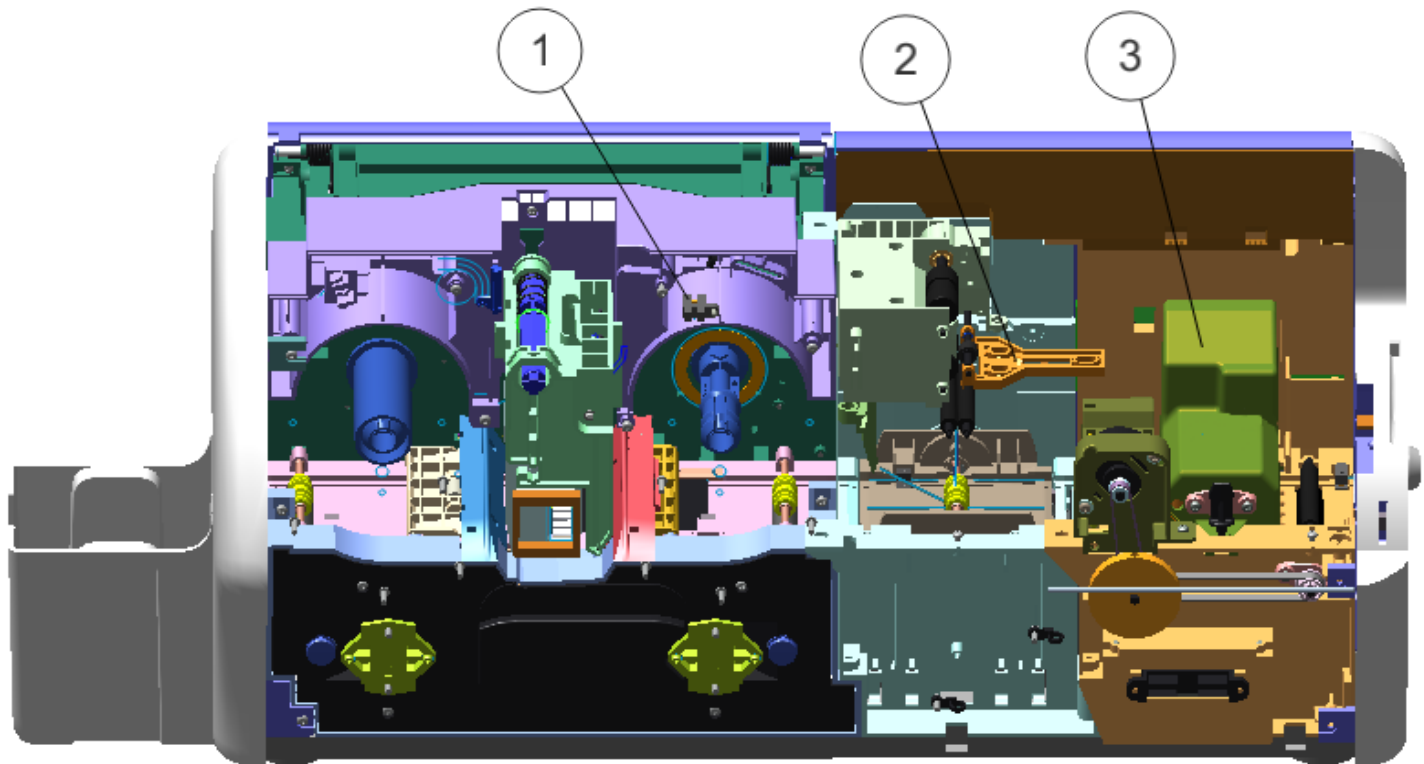
Item Number	Description	Part Number	Kit Quantity
1	Kit PCBA Smart Card ZXP7	P1037750-015	1
2	Kit PCBA Mag Control ZXP7	P1037750-016	1
3	Kit PCBA Flipper Module ZXP7	P1037750-019	1
4	Kit PCBA Media Authentication ZXP7	P1037750-020	1
5	Kit Cooling Fan ZXP7	P1037750-026	1
6	Kit Power Supply ZXP7	P1037750-021	1
7	Kit Power Switch/Entry Module ZXP7	P1037750-022	1



Item Number	Description	Part Number	Kit Quantity
1	Kit Drive Motors Flipper ZXP7	P1037750-057	1
2	Kit Ribbon Supply Spindle Assembly ZXP7	P1037750-041	1
3	Kit Ribbon Take-Up Spindle Assembly ZXP7	P1037750-044	1
4	Kit Motor for Ribbon Take-Up Spindle ZXP7	P1037750-145	1
5	Kit Drive Motor Platen Rollers ZXP7	P1037750-156	1
6	Kit Motor for Ribbon Supply Spindle ZXP7	P1037750-042	1
7	Kit Encoder and Feeder Motor ZXP7	P1037750-058	1

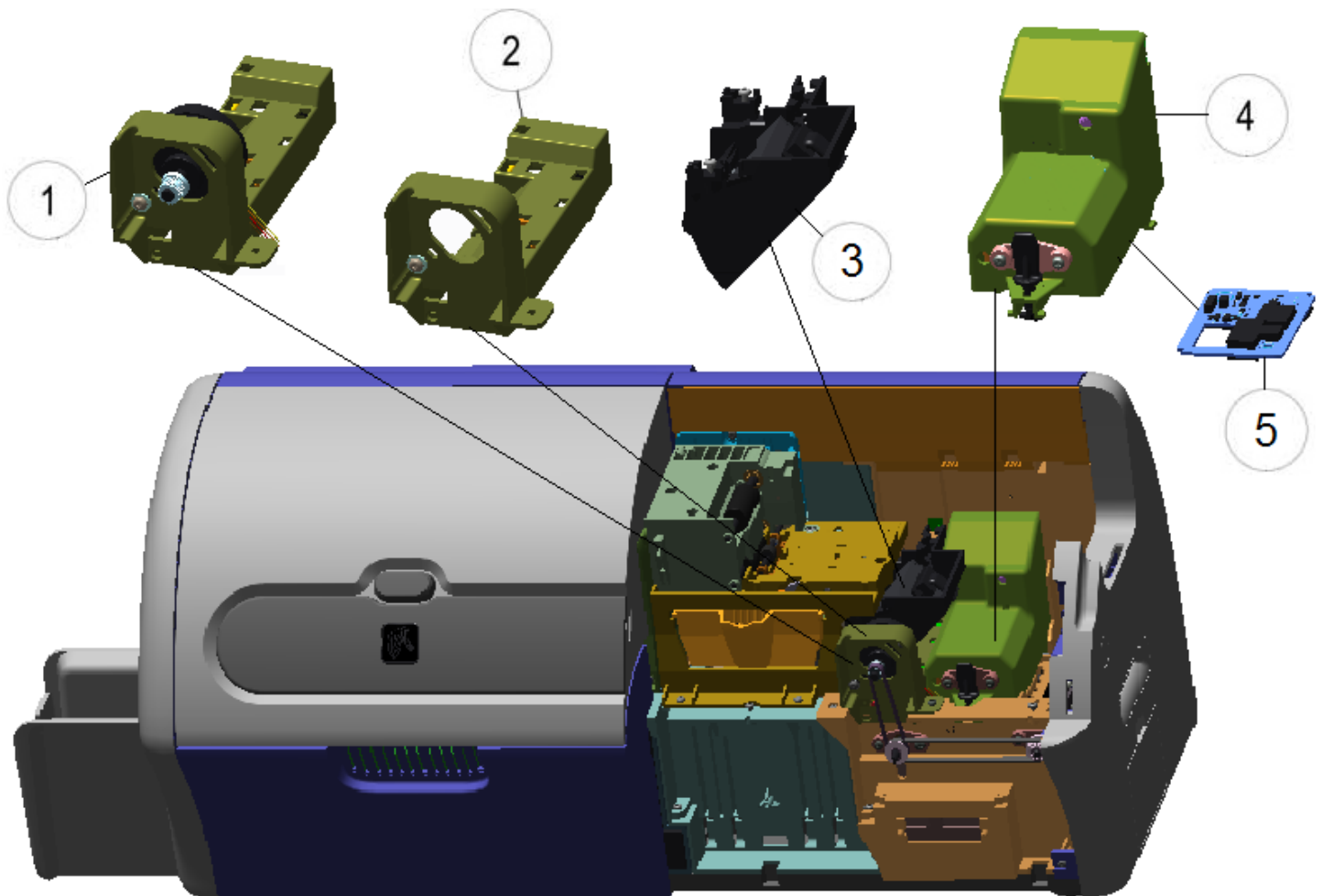


Item Number	Description	Part Number	Kit Quantity
1	Kit Ground Plates ZXP7	P1037750-080	1
2	Kit Main Logic Board ZXP7	P1037750-010	1
3	Kit Bottom Panel ZXP7	P1037750-071	1
4	Kit Feet ZXP7 (Qty of 12)	P1037750-082	12
5	Kit Wired Ethernet ZXP7	P1037750-004	1
	Kit, Upgrade Wireless USA/NA ZXP7	P1037750-097	1
6	Kit Springs and Shaft for Print Engine Door ZXP7	P1037750-081	1
Not Shown	Kit PCBA Debug ZXP7	P1037750-123	1
Not Shown	Kit Antenna Replacement ZXP7	105936G-070	1

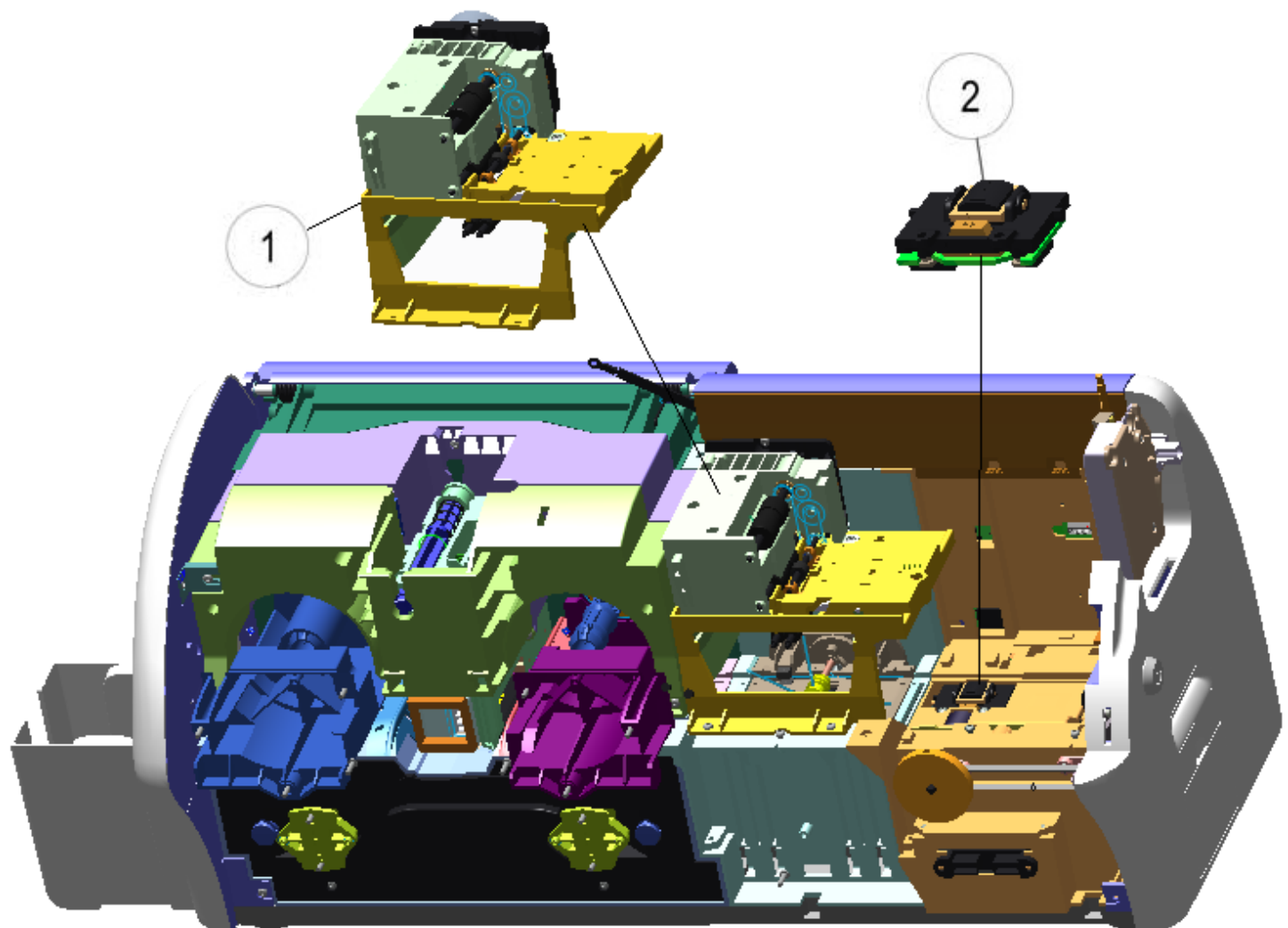


Item Number	Description	Part Number	Kit Quantity
1	Kit Print Engine Door Open Sensor ZXP7	P1037750-029	1
2	Kit Retainer for Feeder ZXP7	P1037750-062	1
3	Kit Mifare Contact Smart Card Module ZXP7	P1037750-087	1

**Zebra Technologies International, LLC**  
**ZXP Series 7 Printer Spare Parts Catalog**

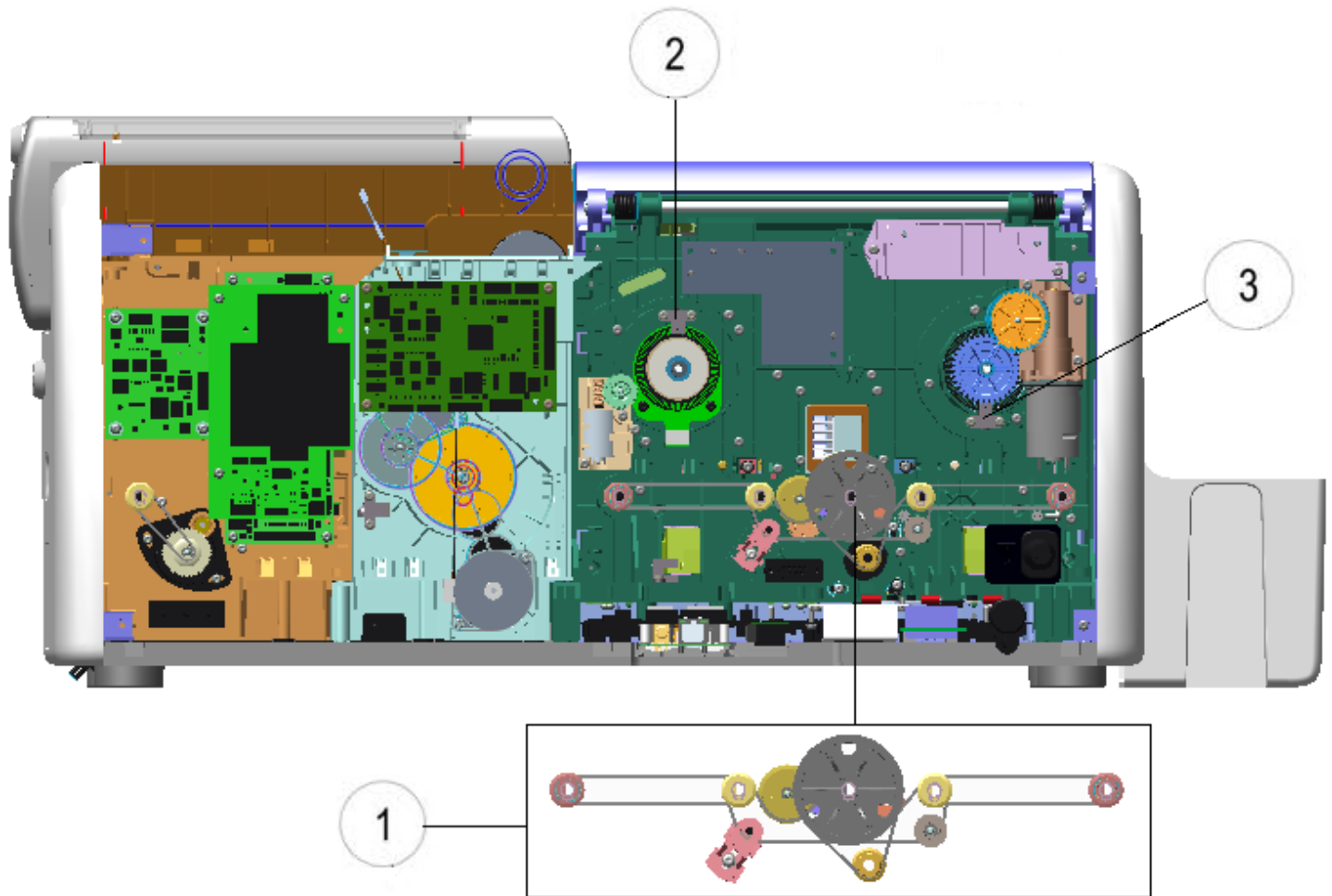


Item Number	Description	Part Number	Kit Quantity
1	Kit Pressure Roller Assembly Mag ZXP7	P1037750-048	1
2	Kit Pressure Roller Assembly Non-Mag ZXP7	P1037750-086	1
3	Kit Barcode Scanner ZXP7	P1037750-094	1
4	Kit Contact Station Module ZXP7	P1037750-030	1
5	Kit PCBA Mifare Contact Encoder ZXP7	P1037750-052	1
	Kit PCBA for Contact Station ZXP7	P1037750-070	1
Not Shown	Kit Barcode Scanner PCBA ZXP7	P1037750-093	1



Item Number	Description	Part Number	Kit Quantity
1	Kit Drive Assembly Feeder ZXP7	P1037750-261	1
Not Shown	Kit, MAG Platen Roller, Qty of 5	P1037750-117	5
2	Kit MAG Head Replacement ZXP7	P1037750-017	1

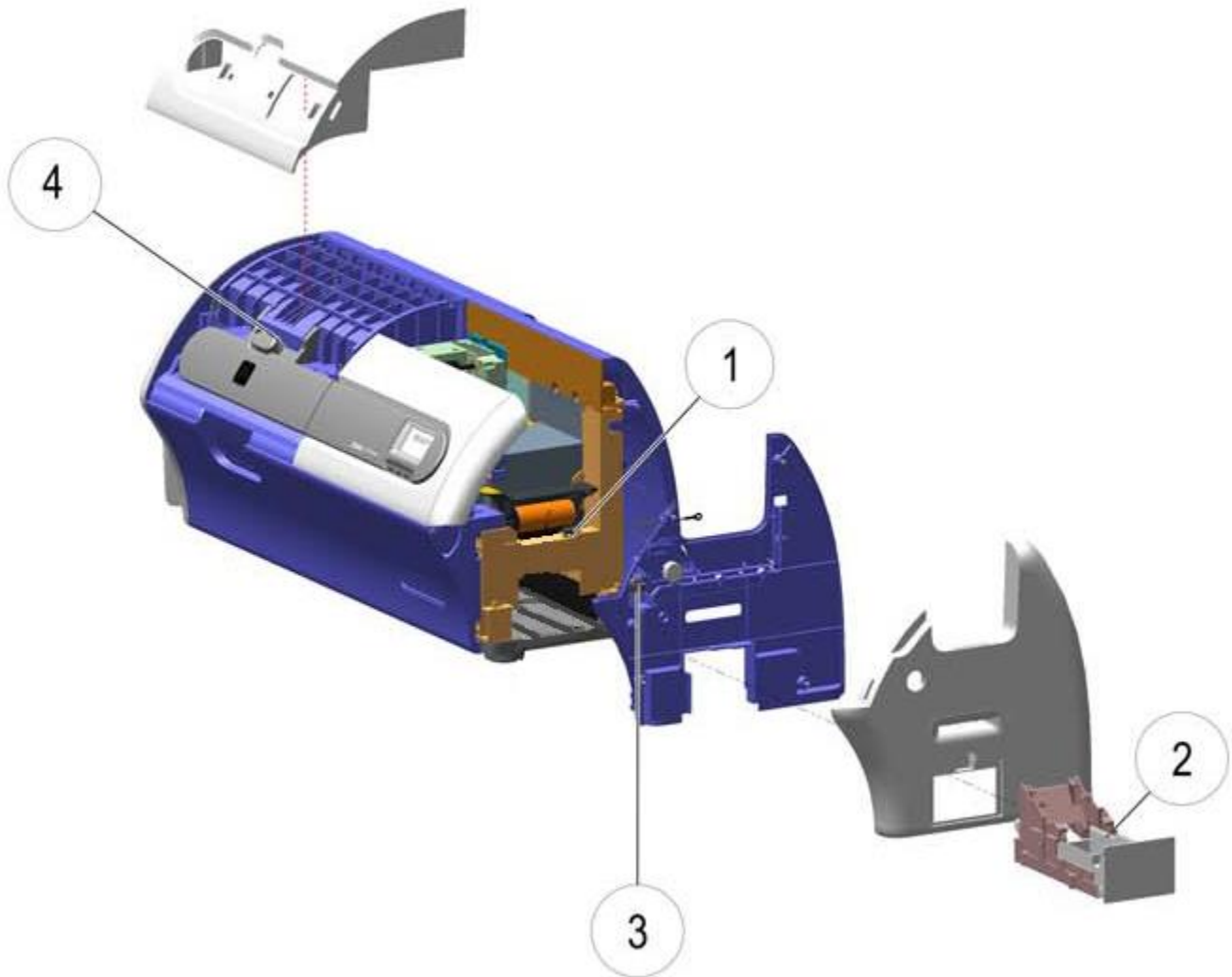
**Zebra Technologies International, LLC**  
**ZXP Series 7 Printer Spare Parts Catalog**



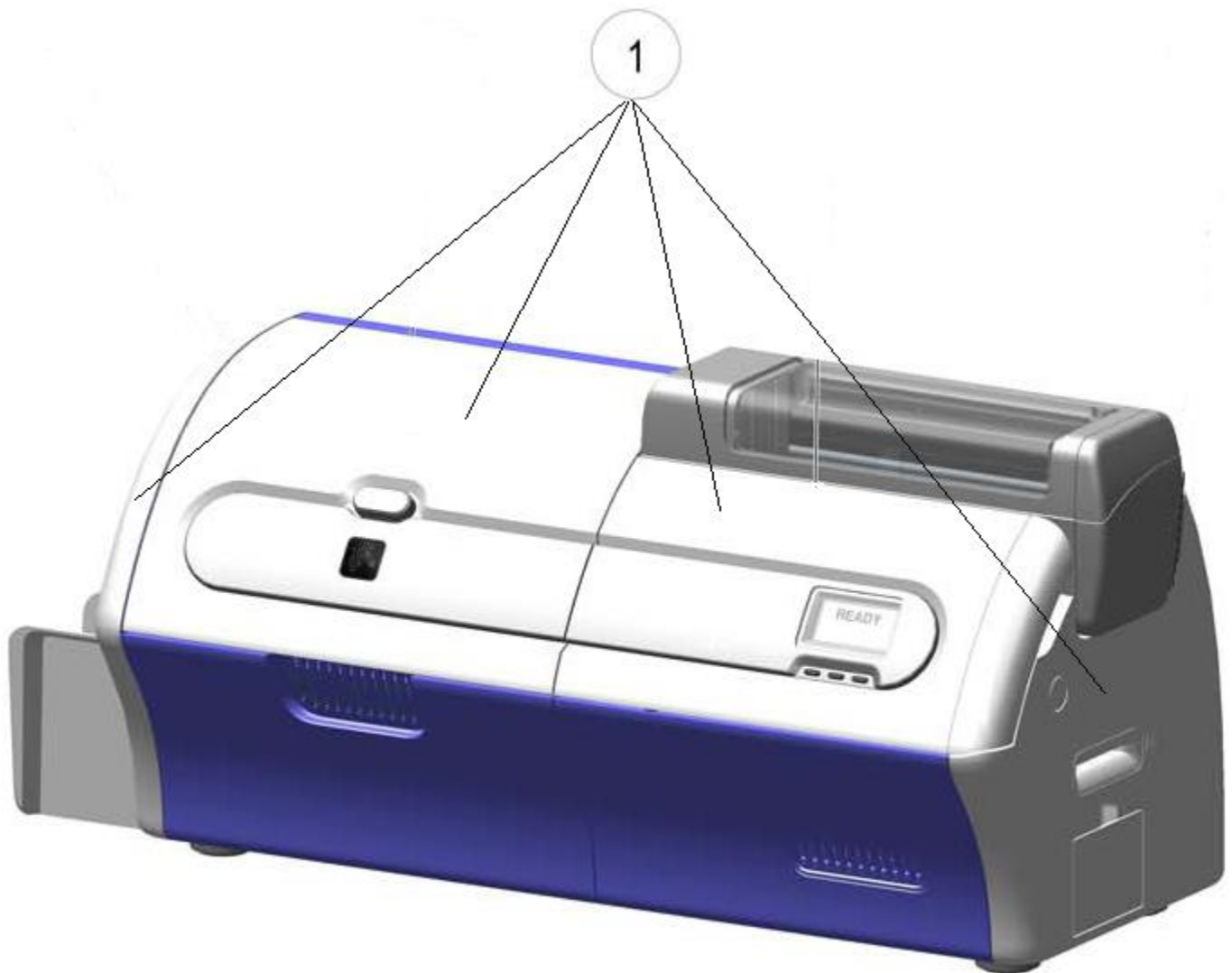
Item Number	Description	Part Number	Kit Quantity
1	Kit Drive System for Platen Rollers ZXP7 (Does not include belts)	P1037750-053	1
2	Kit Encoder Sensor for Ribbon Supply Spindle ZXP7	P1037750-031	1
3	Kit Encoder Sensor for Ribbon Take-Up Spindle ZXP7	P1037750-032	1
Not Shown	Kit All Drive Belts ZXP7	P1037750-151	1



**Zebra Technologies International, LLC**  
**ZXP Series 7 Printer Spare Parts Catalog**



Item Number	Description	Part Number	Kit Quantity
1	Kit Card Sensor Option Module ZXP7	P1037750-039	1
2	Kit Reject Bin ZXP7	P1037750-074	1
3	Kit Sensor for Control Panel Door Open ZXP7	P1037750-033	1
4	Kit Door Button and Latch ZXP7	P1037750-069	1



Item Number	Description	Part Number	Kit Quantity
1	Kit Skins ZXP7	P1037750-067	1

### Upgrade Kits

Item Number	Description	Part Number	Kit Quantity
Not Shown	*Kit Upgrade Mifare Encoder ZXP7	P1037750-001*	1
Not Shown	*Kit Upgrade Contact Station ZXP7	P1037750-002*	1
Not Shown	*Kit Upgrade Mag Encoder ZXP7	P1037750-003*	1
Not Shown	*Kit, Upgrade UHF RF-ID USA/NA ZXP7	P1037750-095*	1
Not Shown	*Kit, Upgrade Wireless USA/NA ZXP7	P1037750-097*	1
Not Shown	*Kit Duo-Print Upgrade ZXP7	P1037750-099*	1
Not Shown	*Kit Upgrade Laminator Single Sided ZXP7	P1037750-011*	1
Not Shown	*Kit Upgrade Laminator Dual Sided ZXP7	P1037750-012*	1

\* Note: Firmware should be upgraded to the latest version before upgrade is performed.

### Service Manual

Item Number	Description	Part Number	Kit Quantity
Not Shown	Kit Service Manual ZXP7	P1037750-090A	1

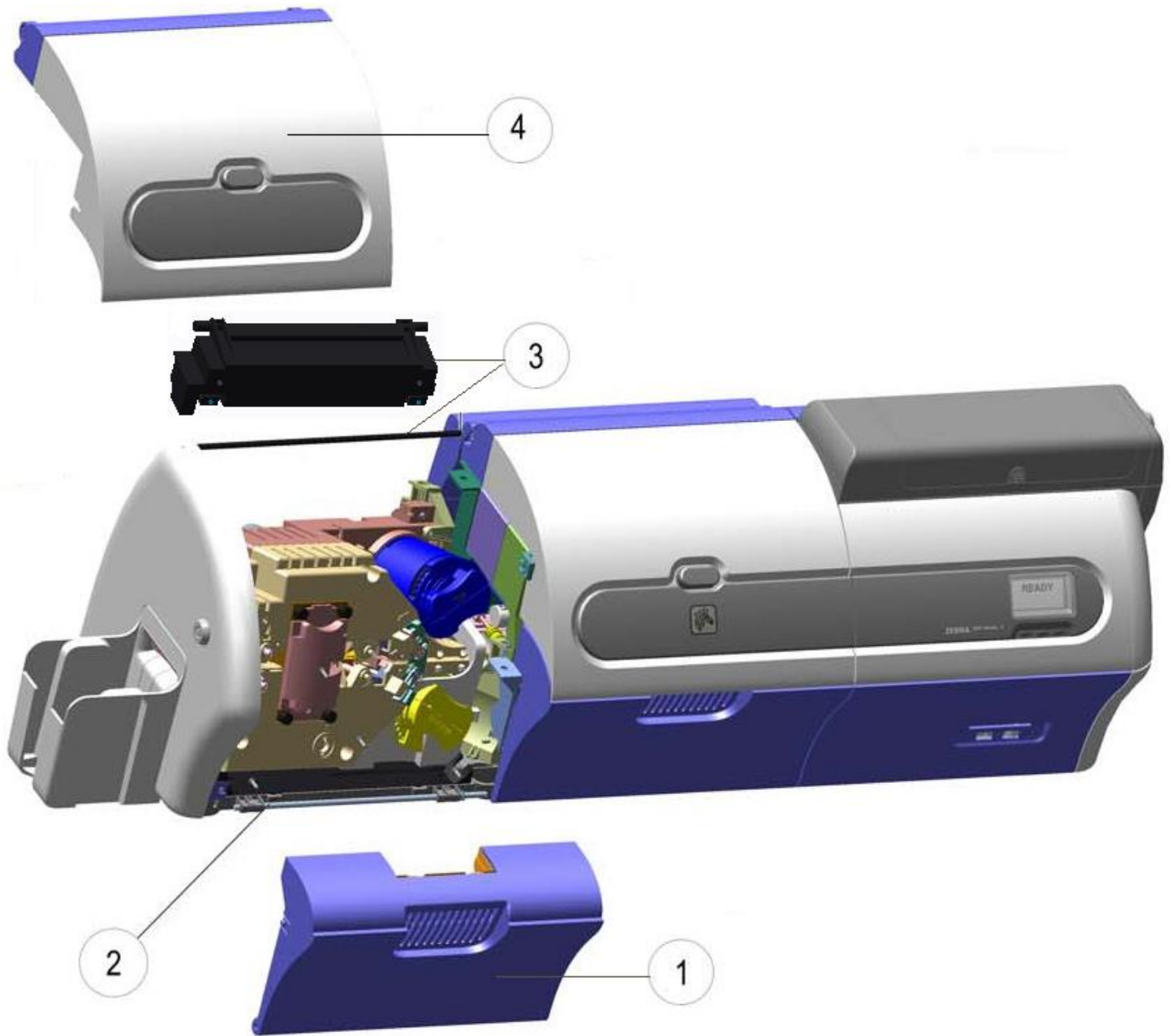
### Packaging

Item Number	Description	Part Number	Kit Quantity
Not Shown	Kit Packaging Printer without Laminator ZXP7	P1037750-085	1
Not Shown	Kit Packaging Printer with Laminator ZXP7	P1037750-089	1
Not Shown	Kit Packaging for Laminator Only ZXP7	P1037750-507	1
Not Shown	Kit, Fabric Packaging Bag for Shipping without LAM (bag only), Set of 3	P1037750-119	3
Not Shown	Kit, Fabric Packaging Bag for Shipping with LAM (bag only), Set of 3	P1037750-120	3
Not Shown	Kit, Packaging ZXP7 Printer with High Capacity Output Hopper ZXP7	P1037750-101	1

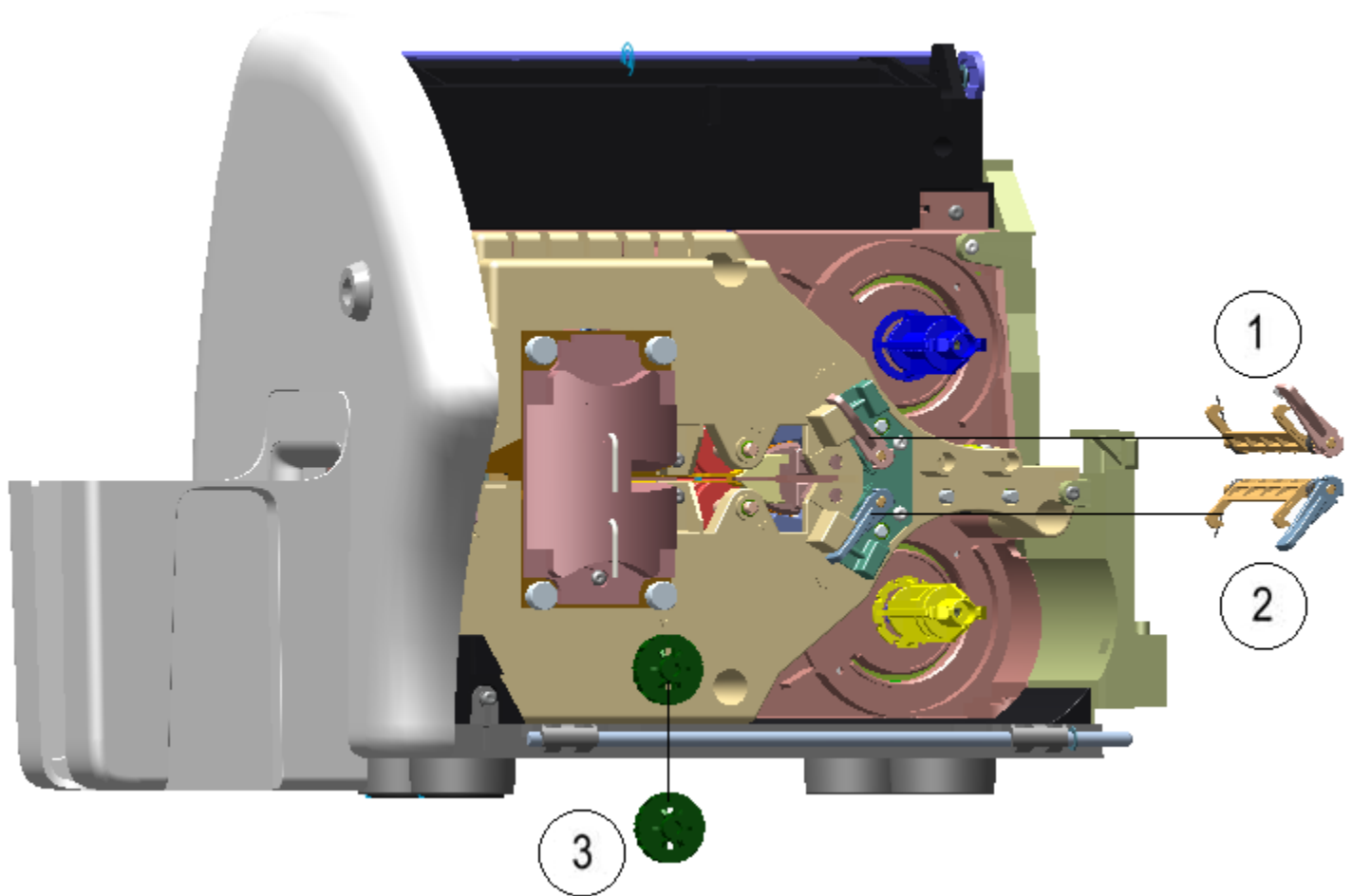
### Misc. Items

Item Number	Description	Part Number	Kit Quantity
Not Shown	Kit Printer Electronic Cables ZXP7	P1037750-027	1
Not Shown	Kit Assorted Hardware ZXP7 (All screws, washer, clips, ect.)	P1037750-084	1
Not Shown	Kit Laminator Electronic Cables ZXP7	P1037750-504	1
Not Shown	Kit Key and Lock Replacement ZXP7	P1037750-166	3

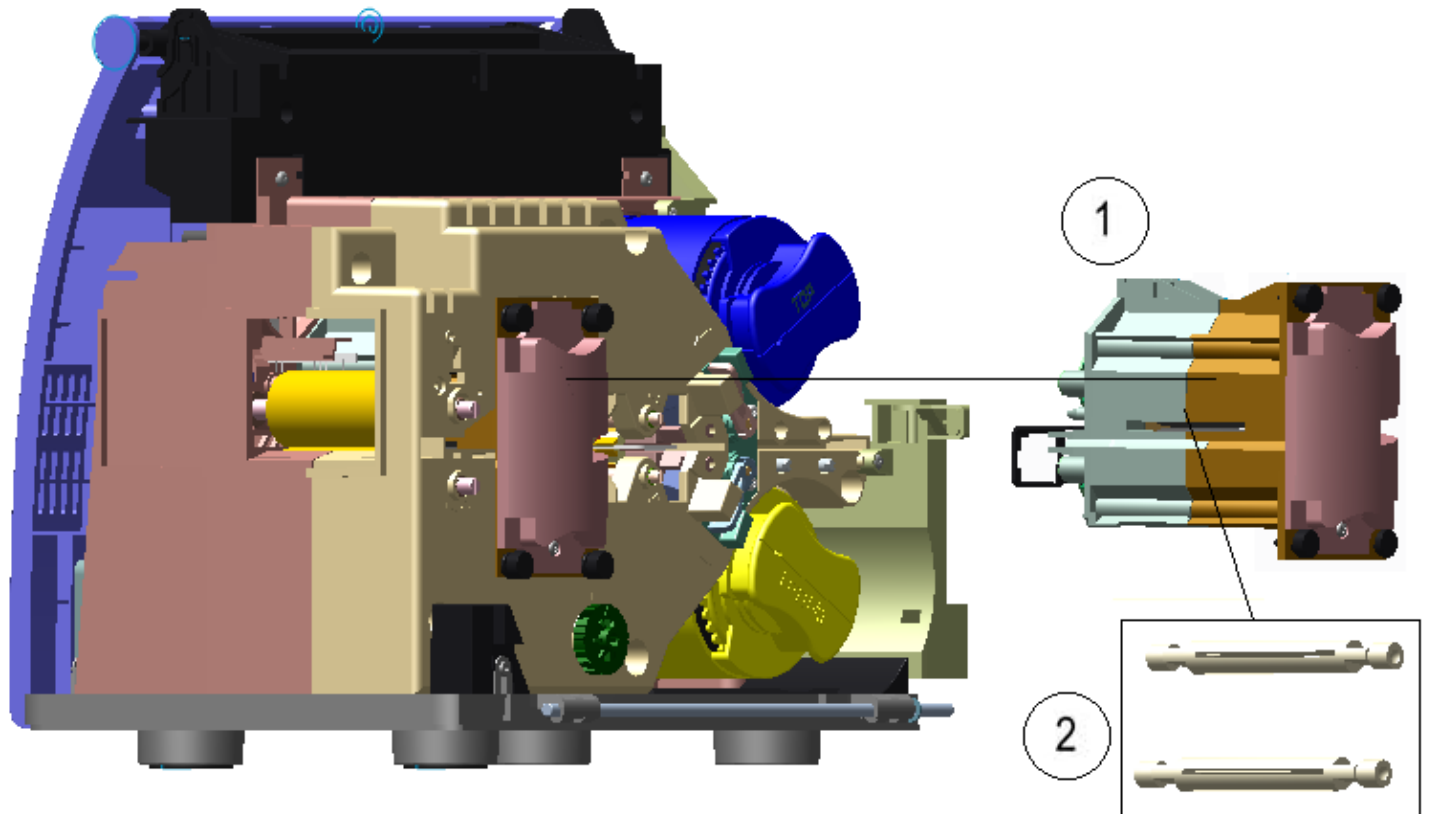
**Zebra Technologies International, LLC**  
**ZXP Series 7 Laminator Spare Parts Catalog**



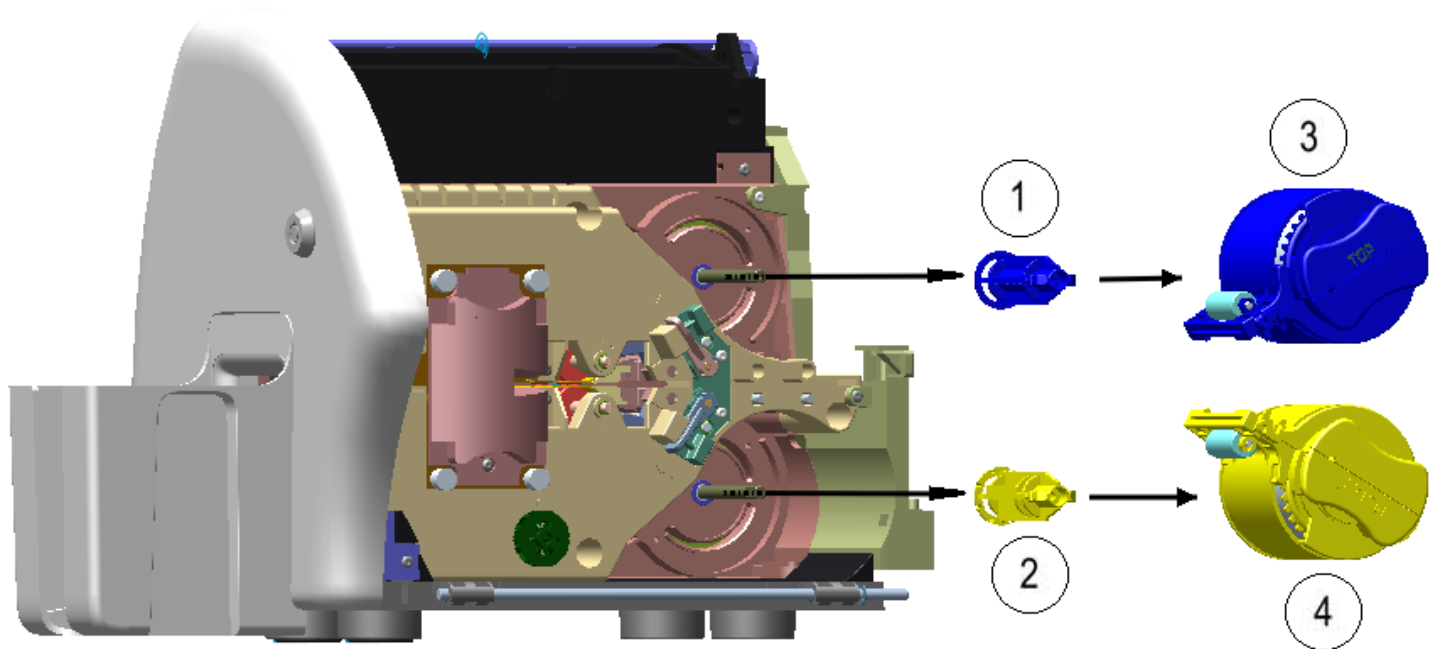
Item Number	Description	Part Number	Kit Quantity
1	Kit Laminator Lower Door ZXP7	P1037750-501	1
2	Kit Laminator Bottom Panel ZXP7	P1037750-502	1
3	Kit Laminator Door Hinges ZXP7	P1037750-503	1
4	Kit Laminator Upper Door ZXP7	P1037750-500	1



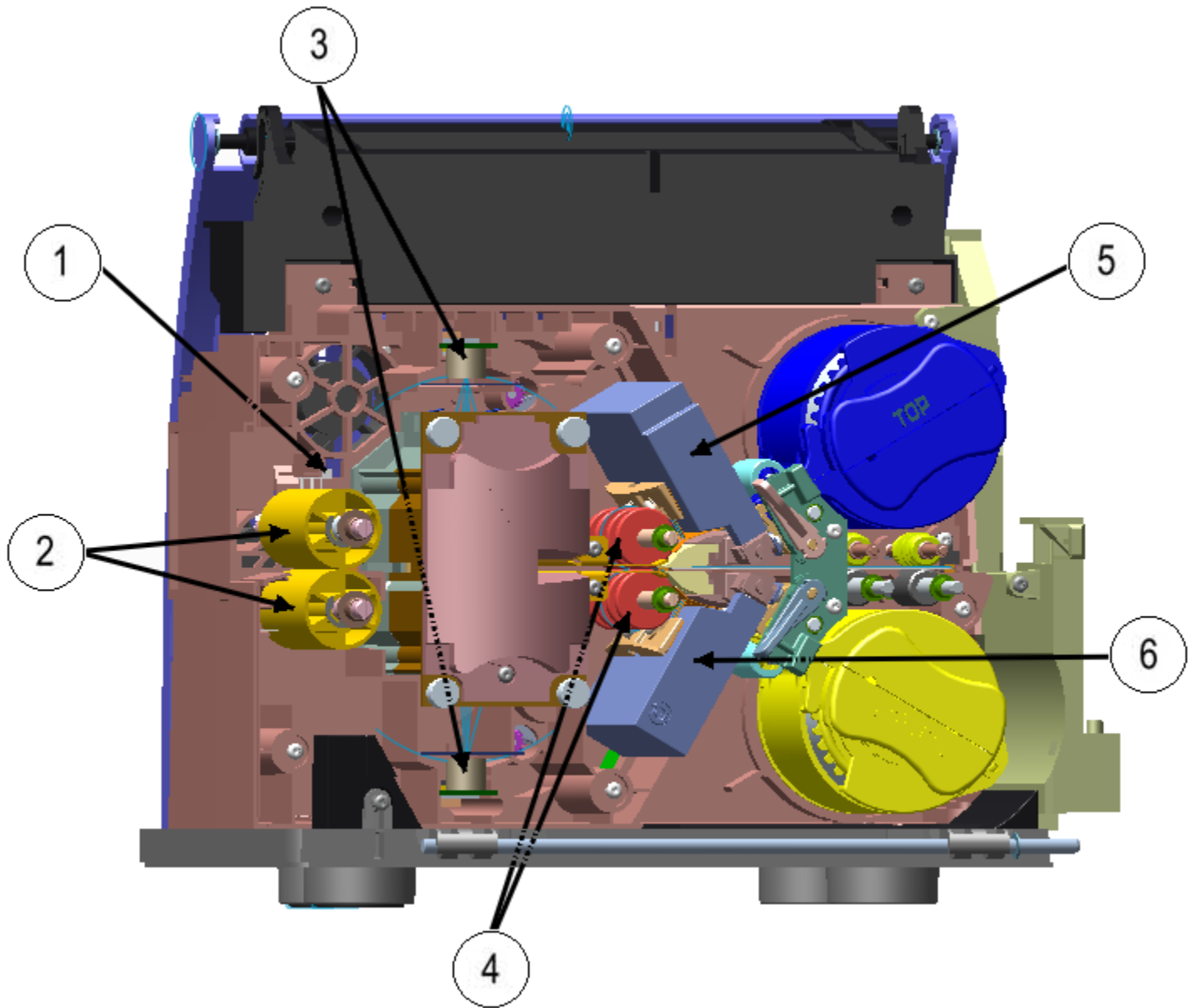
Item Number	Description	Part Number	Kit Quantity
1	Kit Latch for Upper Laminator Cassette ZXP7	P1037750-505	1
2	Kit Latch for Lower Laminator Cassette ZXP7	P1037750-506	1
3	Kit Laminator Thumb Drive Wheel ZXP7	P1037750-529	1



Item Number	Description	Part Number	Kit Quantity
1	Kit Heater Assembly ZXP7	105936G-551	1
2	Kit Halogen Bulbs for Heater (Quantity of 2) ZXP7	105936G-549	2

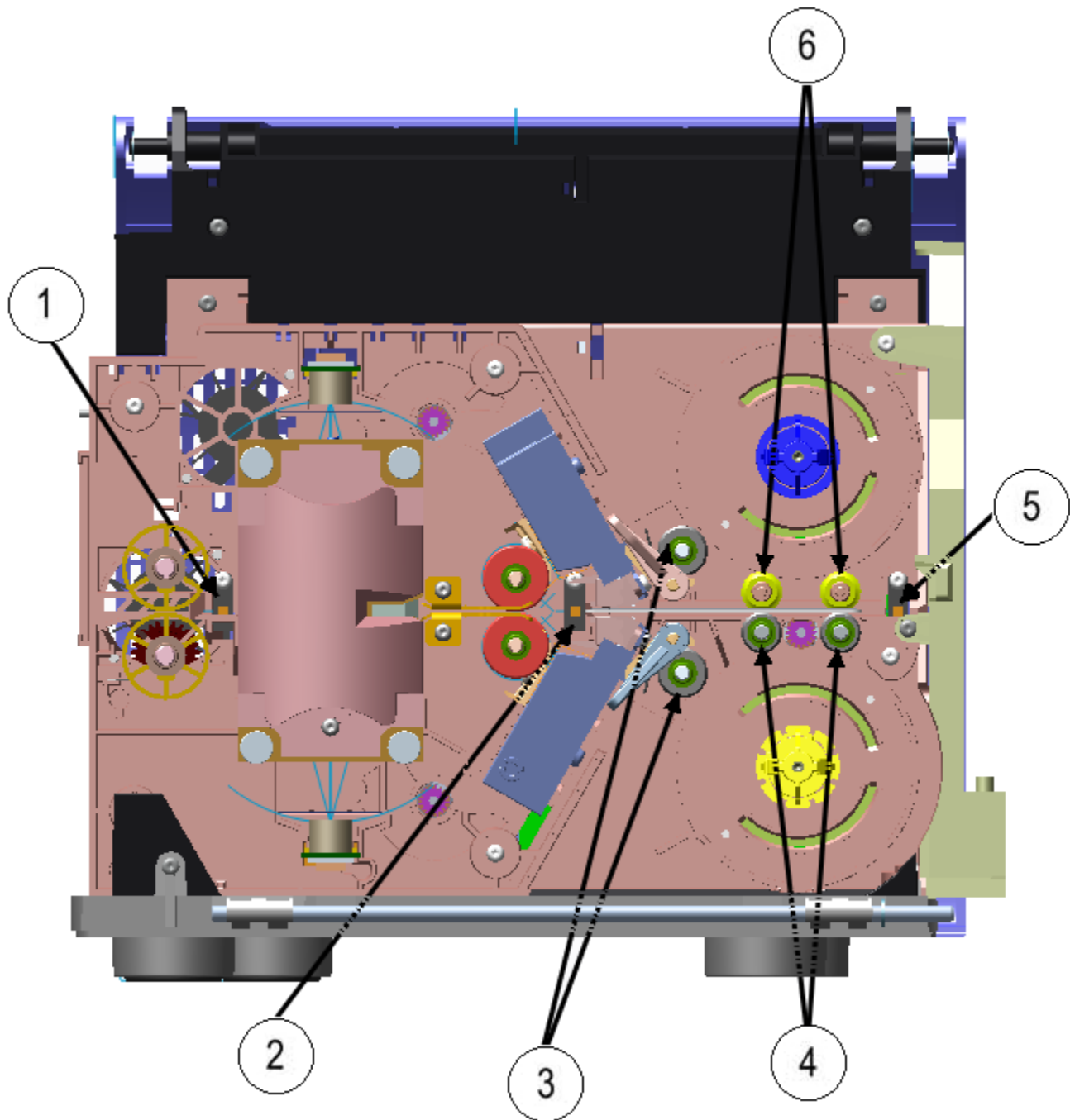


Item Number	Description	Part Number	Kit Quantity
1	Kit Spindle for Upper Cassette ZXP7	105936G-527	1
2	Kit Spindle for Lower Cassette ZXP7	105936G-528	1
3	Kit Upper Cassette ZXP7	105936G-546	1
4	Kit Lower Cassette ZXP7	105936G-547	1

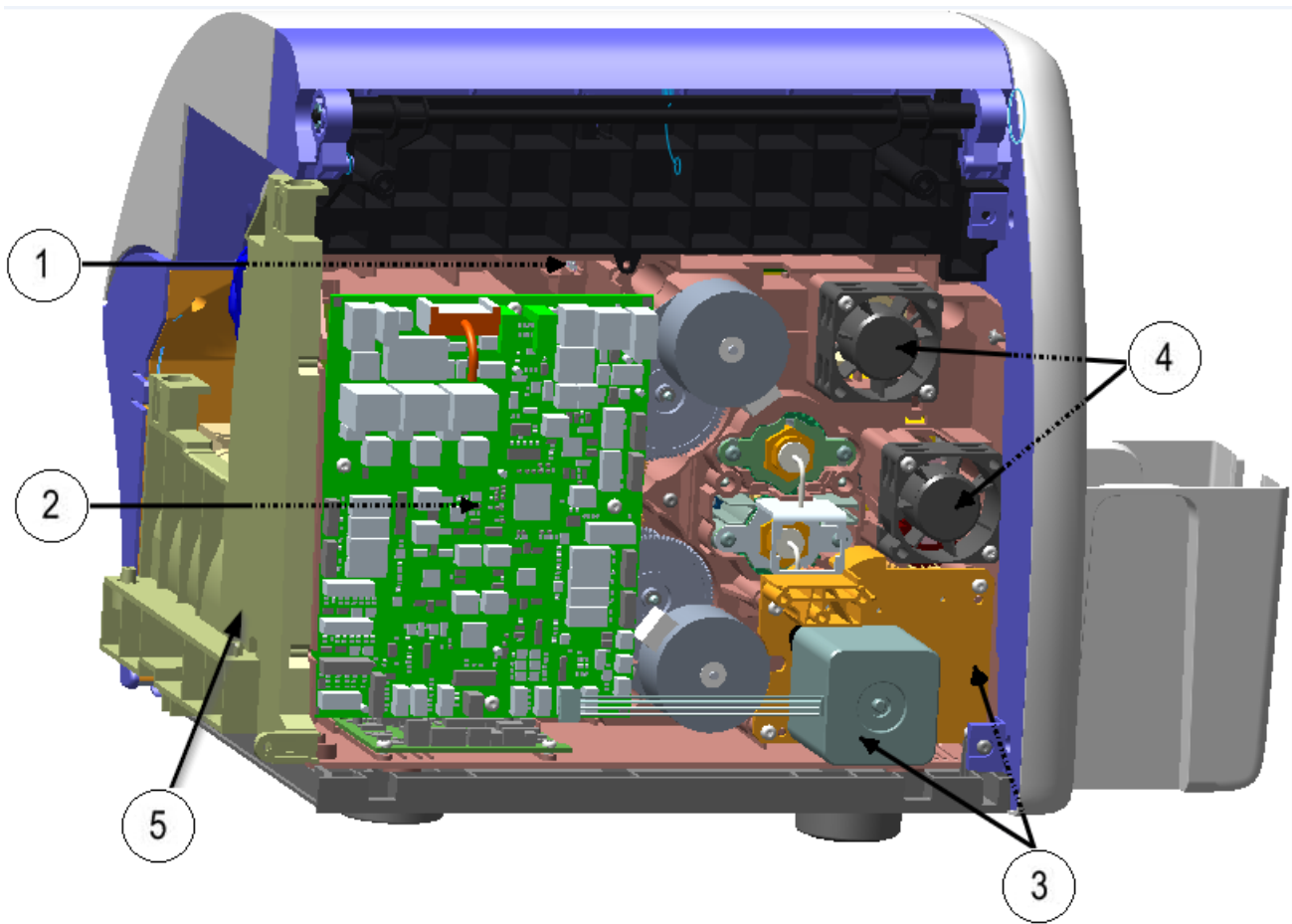


Item Number	Description	Part Number	Kit Quantity
1	Kit Static Brush ZXP7 (60mm)	105936G-515	1
2	Kit Exit Roller Assembly ZXP7	105936G-526	1
3	Kit Thermopile Module ZXP7 (Same module for upper and lower)	105936G-518	1
Not Shown	Kit Cable for Thermopile Module Upper ZXP7	105936G-530	1
Not Shown	Kit Cable for Thermopile Module Lower ZXP7	105936G-531	1
4	Kit Laminate Roller ZXP7	105936G-523	1
5	Kit Upper Cutter Assembly ZXP7	105936G-522	1
6	Kit Lower Cutter Assembly ZXP7	105936G-508	1

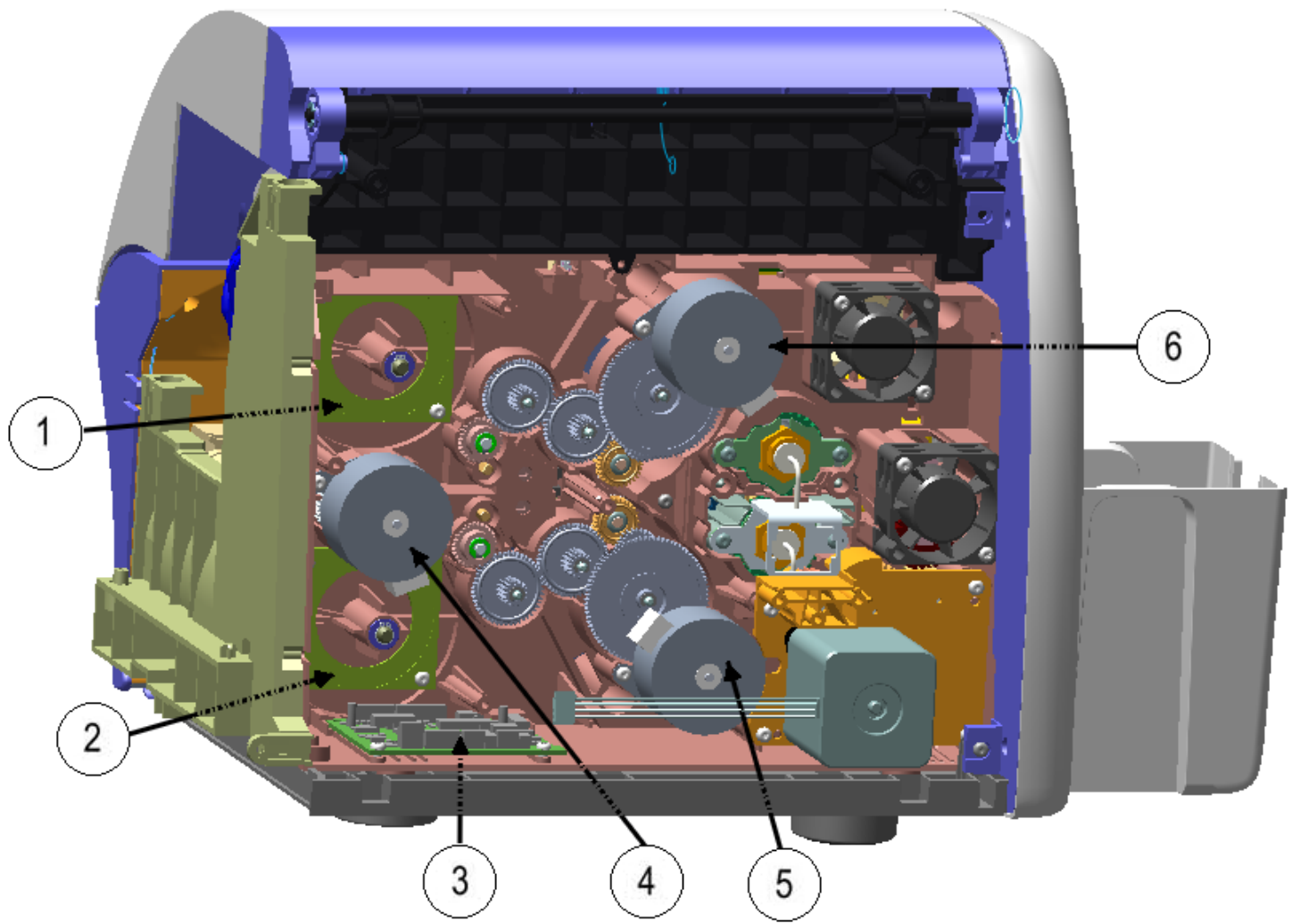




Item Number	Description	Part Number	Kit Quantity
1	Kit Card Exit Sensor ZXP7	105936G-534	1
2	Kit Card Laminate Sensor ZXP7	105936G-533	1
3	Kit Platen Overrun ZXP7	105936G-525	1
4	Kit NIP Roller Card Staging ZXP7	105936G-524	1
5	Kit Card Entry Sensor ZXP7	105936G-532	1
6	Kit Flexible Ribbed Roller ZXP7	105936G-521	1

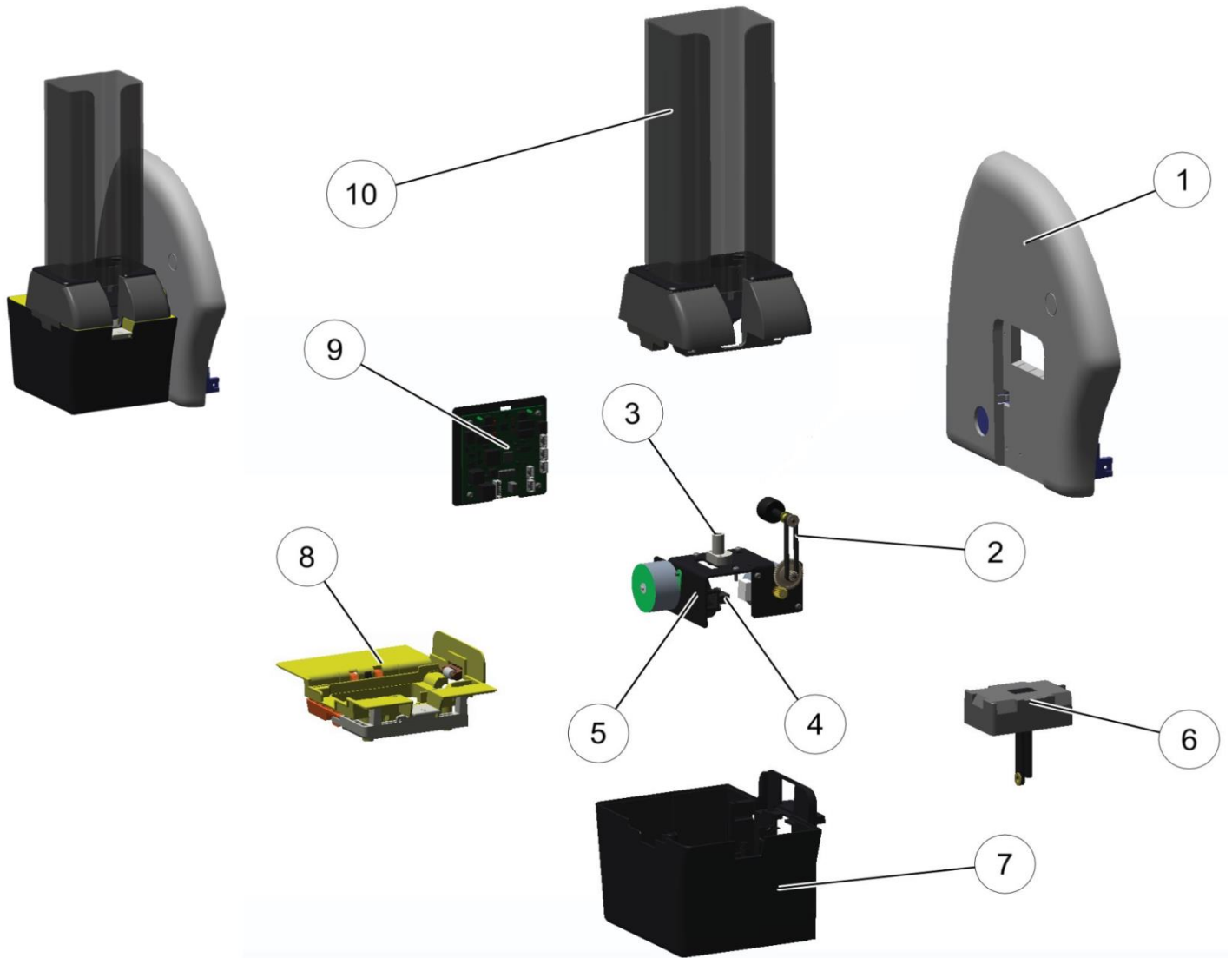


Item Number	Description	Part Number	Kit Quantity
1	Kit Laminator Door Sensor ZXP7	105936G-537	1
2	Kit Laminator Main Control PCB ZXP7	105936G-560	1
3	Kit Motor Assembly ZXP7	105936G-511	1
4	Kit Fan Assembly 24V ZXP7 (Qty of 1)	105936G-503	1
5	Kit, Laminator Mounting Plate ZXP7	P1037750-508	1
Not Shown	Kit Laminator Electronic Cables ZXP7	P1037750-504	1



Item Number	Description	Part Number	Kit Quantity
1	Kit Upper Antenna PCBA for Media Authentication ZXP7	105936G-504	1
2	Kit Lower Antenna PCBA for Media Authentication ZXP7	105936G-536	1
3	Kit Media Authentication PCBA ZXP7	105936G-520	1
4	Kit Staging Motor ZXP7	105936G-514	1
5	Kit Lower Laminator Control Motor ZXP7	105936G-513	1
6	Kit Upper Laminator Control Motor ZXP7	105936G-512	1

**Zebra Technologies International, LLC**  
**ZXP Series 7 Pro Spare Parts Catalog**



Item Number	Description	Part Number	Kit Quantity
1	Kit, Printer Left Side Panel, High Capacity Output Hopper ZXP7	P1037750-112	1
2	Kit, High Capacity Output Hopper Rollers and Belt ZXP7	P1037750-107	1
3	Kit, High Capacity Output Hopper Elevator Bushing ZXP7	P1037750-105	1
4	Kit, High Capacity Output Hopper Sensors (Hopper Present & Cam Lift)	P1037750-103	1
5	Kit, High Capacity Output Hopper Drive Assembly ZXP7	P1037750-106	1
6	Kit, High Capacity Output Hopper Elevator ZXP7	P1037750-104	1
7	Kit, High Capacity Output Hopper Base Housing (with card entry sensor)	P1037750-110	1
8	Kit, High Capacity Output Hopper Base Cover and Latch ZXP7	P1037750-111	1
9	Kit, High Capacity Output Hopper PCBA ZXP7	P1037750-108	1
10	Kit, High Capacity Output Hopper ZXP7	P1037750-100	1
Not Shown	Kit, Packaging ZXP7 Printer with High Capacity Output Hopper ZXP7	P1037750-101	1
Not Shown	Kit, High Capacity Output Hopper Electrical Cables ZXP7	P1037750-109	1