

THE INFORMATION AND DESIGNS CONTAINED IN THIS DRAWING ARE CONFIDENTIAL AND THE PROPRIETARY PROPERTY OF MILESTONE AV TECHNOLOGIES NEITHER THIS DESIGN NOR ANY INFORMATION CONTAINED IN THIS DRAWING MAY BE REPRODUCED OR DISCLOSED TO OTHERS WITHOUT THE EXPRESS WRITTEN CONSENT OF MILESTONE AV TECHNOLOGIES.

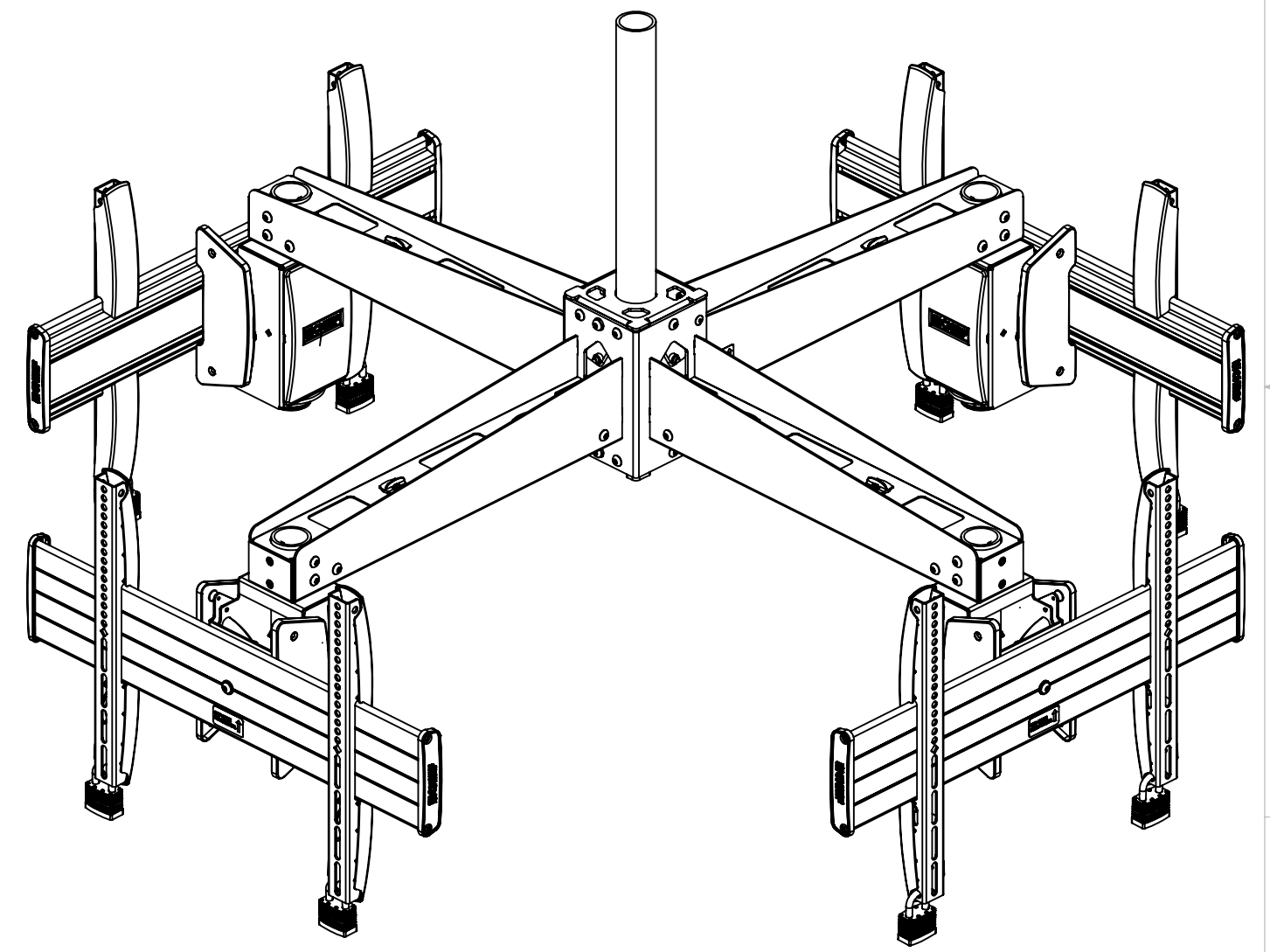
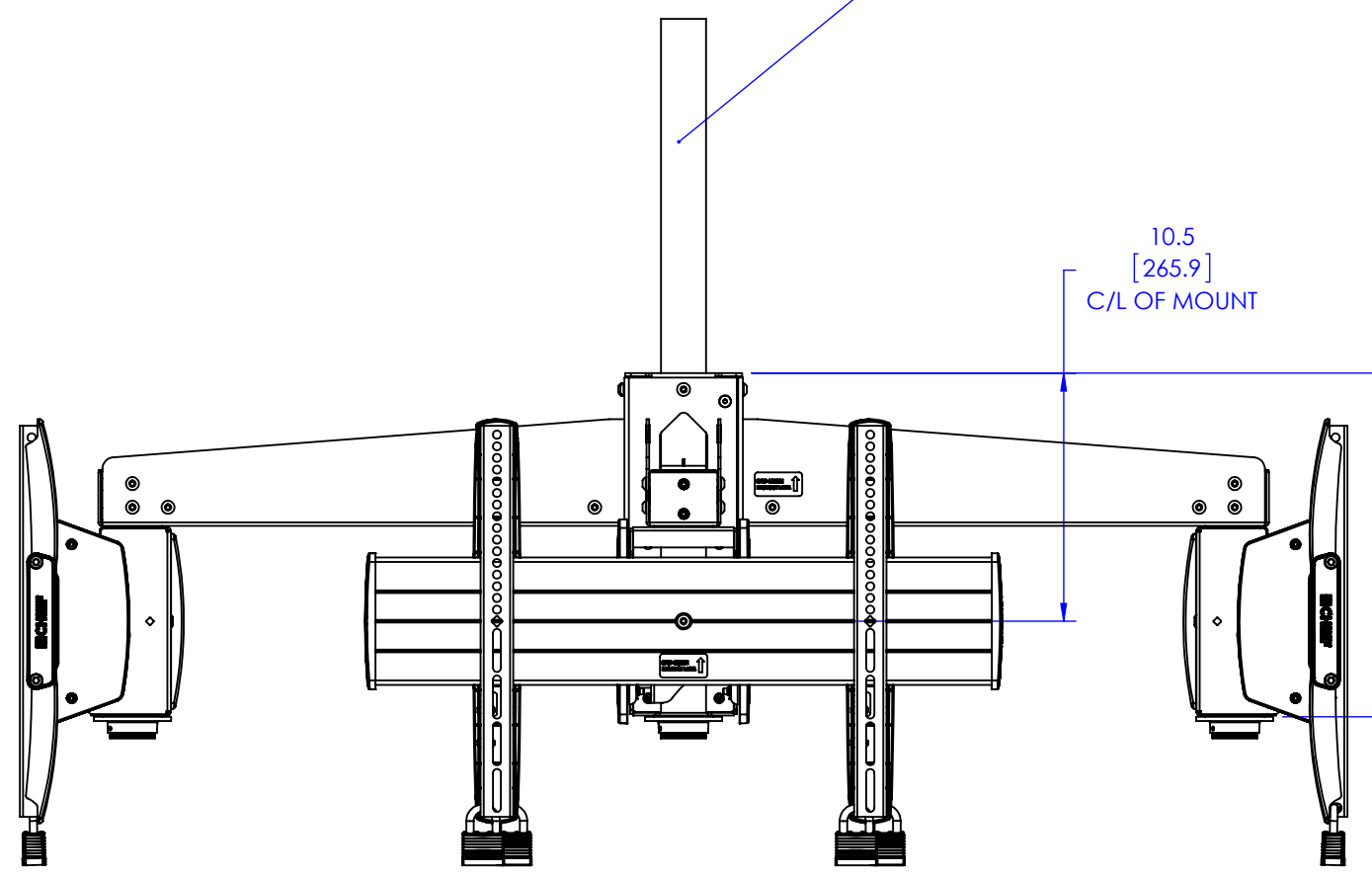
CAD GENERATED DRAWING, DO NOT MANUALLY UPDATE.			<p>6436 CITY WEST PKWY EDEN PRAIRIE MN, 55344 PHONE: 866-977-3901 FAX: 877-894-6918</p>
DRAWN BY	JAB	8/23/2013	
ENG APPROVAL			DESCRIPTION <b>CEILING MOUNT, QUAD, CIRCULAR</b>
MFG APPROVAL			MODEL NO. <b>LCM4U</b>
QA APPROVAL			SIZE DWG. NO. REV. <b>B TECH-000443 00</b>
SHEET 1 OF 3			SCALE <b>1:12</b>

SHOWN WITH LCM1U MOUNTS


COLUMN SOLD SEPARATELY

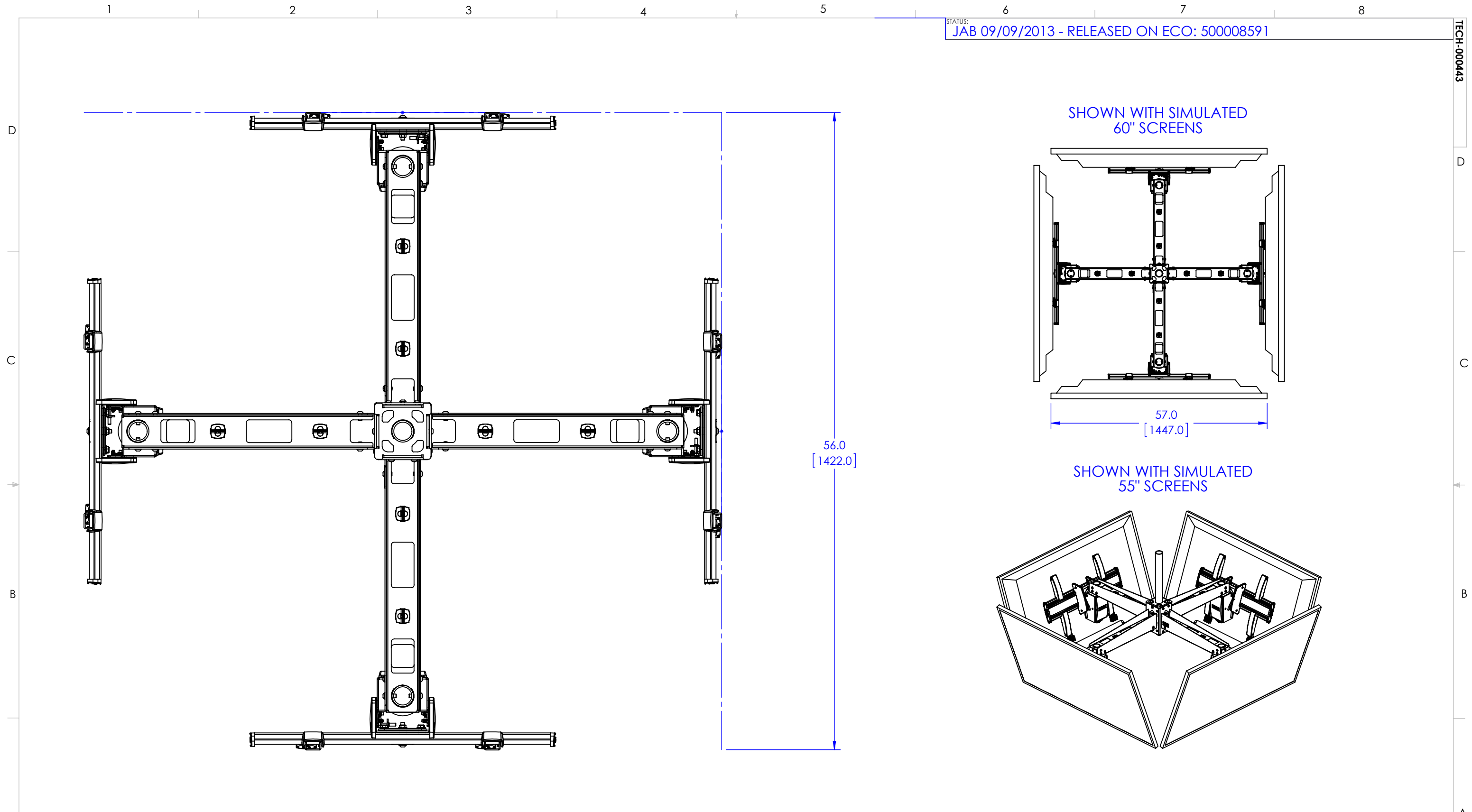
10.5  
[265.9]  
C/L OF MOUNT

14.5  
[368.3]



THE INFORMATION AND DESIGNS CONTAINED IN THIS DRAWING ARE CONFIDENTIAL AND THE PROPRIETARY PROPERTY OF MILESTONE AV TECHNOLOGIES NEITHER THIS DESIGN NOR ANY INFORMATION CONTAINED IN THIS DRAWING MAY BE REPRODUCED OR DISCLOSED TO OTHERS WITHOUT THE EXPRESS WRITTEN CONSENT OF MILESTONE AV TECHNOLOGIES.

CAD GENERATED DRAWING, DO NOT MANUALLY UPDATE.			 6436 CITY WEST PKWY EDEN PRAIRIE, MN, 55344 PHONE: 866-977-3901 FAX: 877-894-6918
DRAWN BY	JAB	8/23/2013	
ENG APPROVAL			DESCRIPTION
MFG APPROVAL			CEILING MOUNT, QUAD, CIRCULAR
QA APPROVAL			MODEL NO.
SHEET 2 OF 3			LCM4U
SCALE	1:16	SIZE	DWG. NO.
		B	TECH-000443
			REV.
			00



THE INFORMATION AND DESIGNS CONTAINED IN THIS DRAWING ARE CONFIDENTIAL AND THE PROPRIETARY PROPERTY OF MILESTONE AV TECHNOLOGIES NEITHER THIS DESIGN NOR ANY INFORMATION CONTAINED IN THIS DRAWING MAY BE REPRODUCED OR DISCLOSED TO OTHERS WITHOUT THE EXPRESS WRITTEN CONSENT OF MILESTONE AV TECHNOLOGIES.

CAD GENERATED DRAWING, DO NOT MANUALLY UPDATE.				6436 CITY WEST PKWY EDEN PRAIRIE MN, 55344 PHONE: 866-977-3901 FAX: 877-894-6918	
DRAWN BY	JAB	8/23/2013		DESCRIPTION <b>CEILING MOUNT, QUAD, CIRCULAR</b>	
ENG APPROVAL			MODEL NO. <b>LCM4U</b>		
MFG APPROVAL			SIZE	DWG. NO.	REV.
QA APPROVAL			<b>B</b>	<b>TECH-000443</b>	<b>00</b>
SHEET 3 OF 3			SCALE		
			<b>1:16</b>		