

ASRock



PG27FFT1B

User Manual

Contents

| | |
|---|-----------|
| Chapter 1 Introduction | 1 |
| 1.1 Package Contents | 1 |
| Chapter 2 Setting up the Monitor | 2 |
| 2.1 Attaching the Stand Arm and Base | 2 |
| 2.2 Detaching the Stand Arm and Base | 4 |
| 2.3 Making Connections | 6 |
| 2.4 Adjusting the Viewing Angle | 10 |
| 2.5 Using the Security Slot | 11 |
| Chapter 3 Monitor Overview | 12 |
| 3.1 Front View | 12 |
| 3.2 Rear View | 13 |
| 3.3 Bottom View | 14 |
| Chapter 4 Specifications | 15 |
| 4.1 Monitor Specifications | 15 |
| 4.2 Supported Timing List | 17 |
| Chapter 5 Operating the Monitor | 19 |
| 5.1 Powering On/Off the Monitor | 19 |
| 5.2 Hot Keys | 20 |
| 5.3 OSD (On-Screen Display) Keys | 21 |
| Chapter 6 OSD Setup | 22 |
| 6.1 Accessing the OSD Menu | 22 |
| 6.2 OSD Menus | 23 |
| Chapter 7 Troubleshooting | 28 |
| Chapter 8 Safety Instructions | 29 |

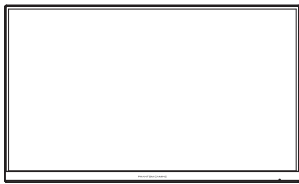
Chapter 1 Introduction

Thank you for purchasing PG27FFT1B, a reliable monitor produced under ASRock's consistently stringent quality control. It delivers excellent performance with robust design conforming to ASRock's commitment to quality and endurance.

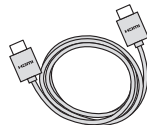
1.1 Package Contents

Your monitor ships with the components shown below. Please make sure that you have received all the components and contact your place of purchase or local distributor if any of the items is damaged or missing.

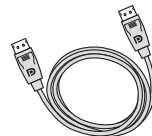
- ASRock PG27FFT1B Monitor
- ASRock PG27FFT1B Stand Arm
- ASRock PG27FFT1B Stand Base
- ASRock PG27FFT1B Quick Start Guide
- HDMI Cable
- DisplayPort Cable
- Power Cord



Monitor



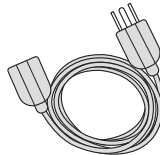
HDMI Cable



DisplayPort Cable



Stand Arm



Power Cord



Quick Start Guide



Important

Package contents may vary by country.

The included power cord is exclusively for this monitor and should not be used with other products.

Chapter 2 Setting up the Monitor

2.1 Attaching the Stand Arm and Base

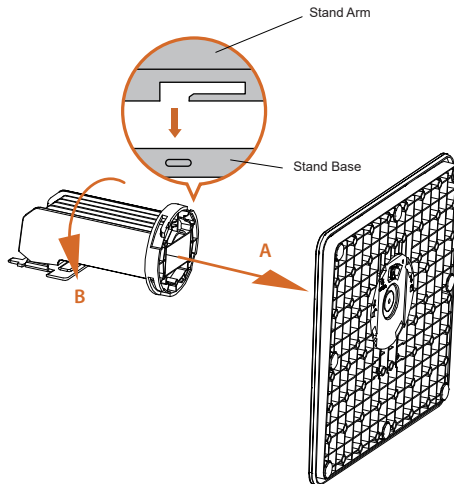
Step 1. Installing the Stand Arm to the Stand Base



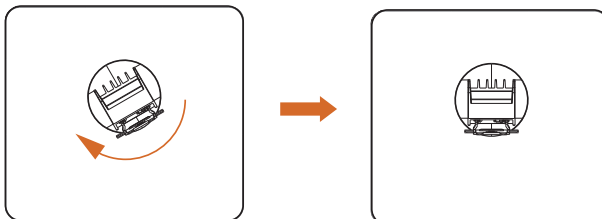
Important

Place the monitor on a soft cloth or cushion to avoid scratching the display screen.

- Insert the stand arm to the stand base, making sure the side latches align with the cutouts. Turn the stand arm clockwise to the locked position.

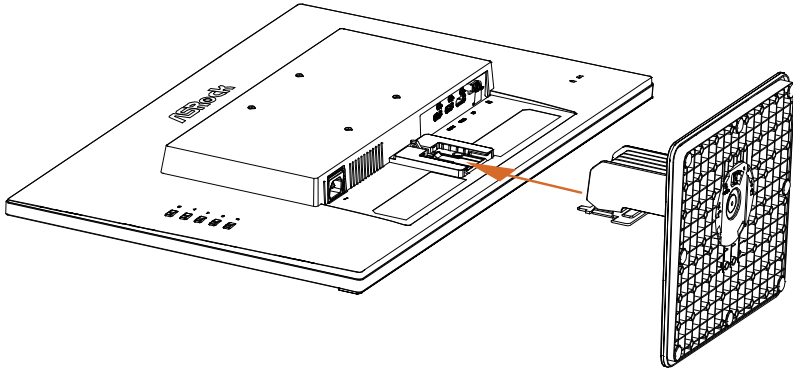


TOP VIEW



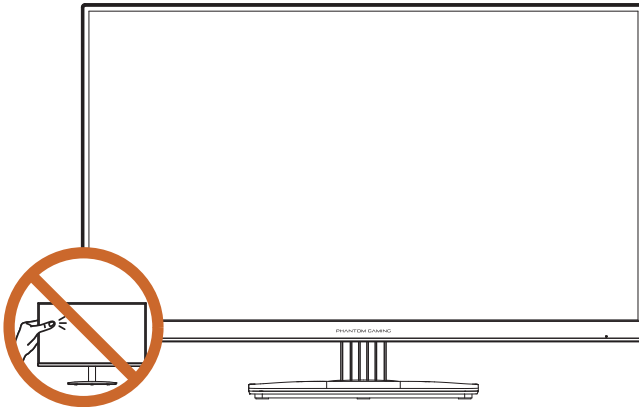
Step 2. Installing the Stand Arm and Base to the Monitor

Align and slide the two tabs on the stand arm to the groove on the back of the monitor until it snaps into place.



Step 3. Placing the Monitor Upright

Lift the monitor carefully out of the foam packaging and into its upright position on a flat, stable surface.



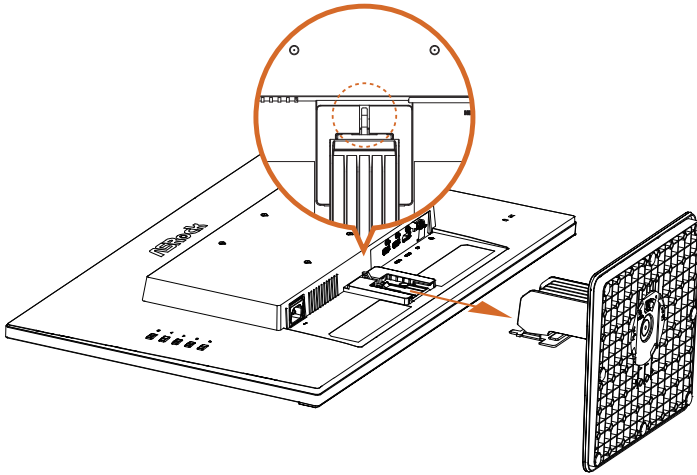
Important

Be careful not to touch or press the screen area when lifting or moving the monitor to avoid any scratches or damage.

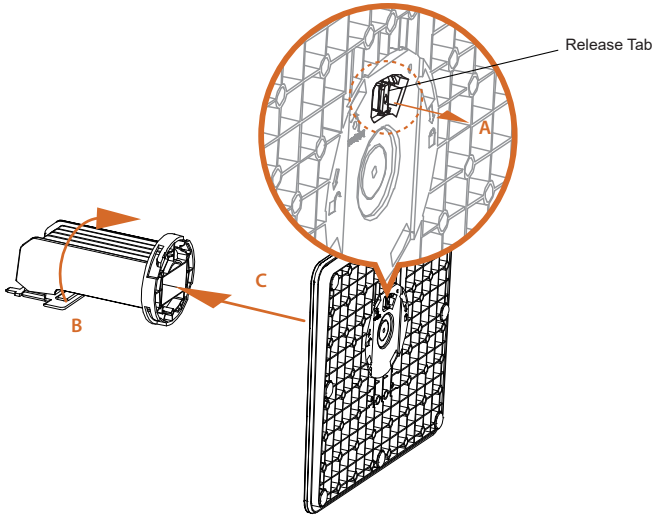
2.2 Detaching the Stand Arm and Base

Before removing the stand, be sure to turn off the monitor and disconnect all cables.

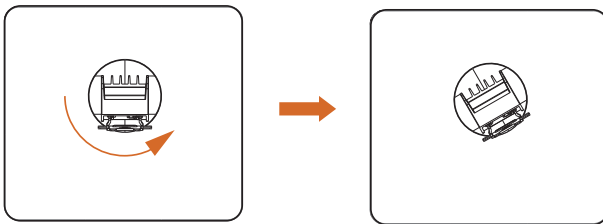
1. Press and hold the stand release button and pull to disengage the tabs on the stand arm from the monitor. Remove the stand arm and base.



2. Pull the release tab upward with your finger while turning the stand arm counterclockwise to the unlocked position. Remove the stand arm from the stand base.



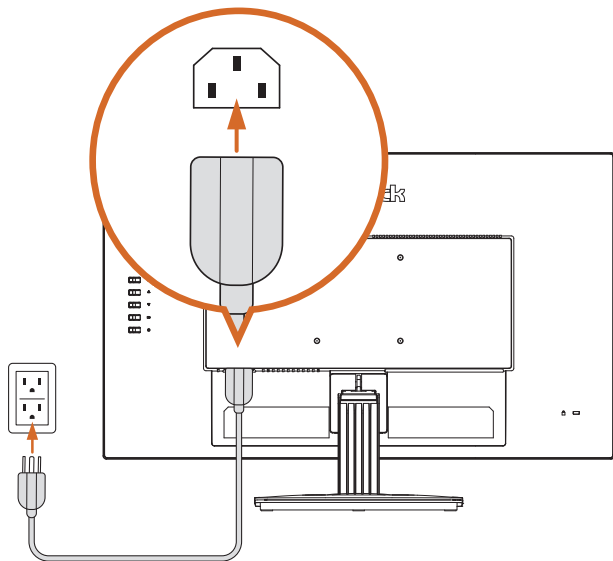
TOP VIEW



2.3 Making Connections

Connecting the Power Cord

Connect the power cord to the monitor and to an electrical wall outlet. Pass the cable through the cable management hole on the stand arm.



Important

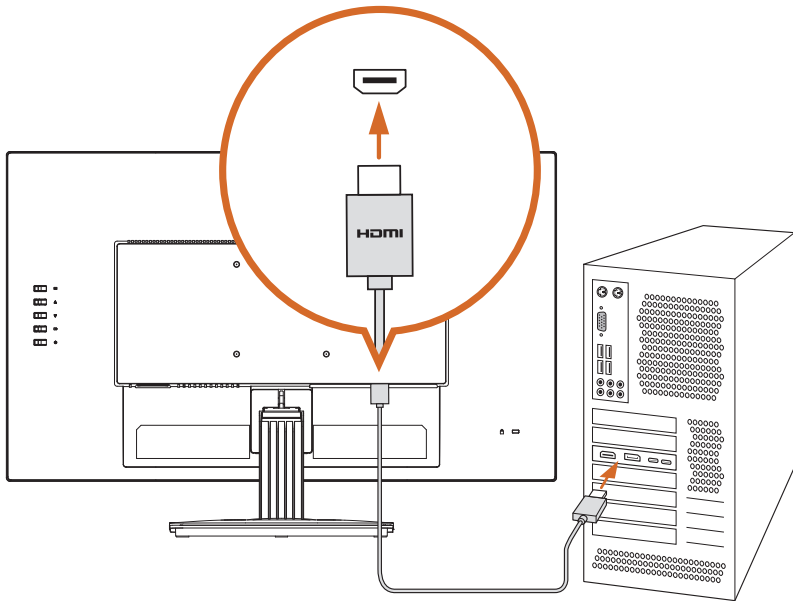
Please make sure to make a grounding connection before connecting the power plug to the power source.

Additionally, when disconnecting the grounding connection, be sure to disconnect the power plug from the power source before proceeding.

Connecting the Monitor to the PC / Laptop

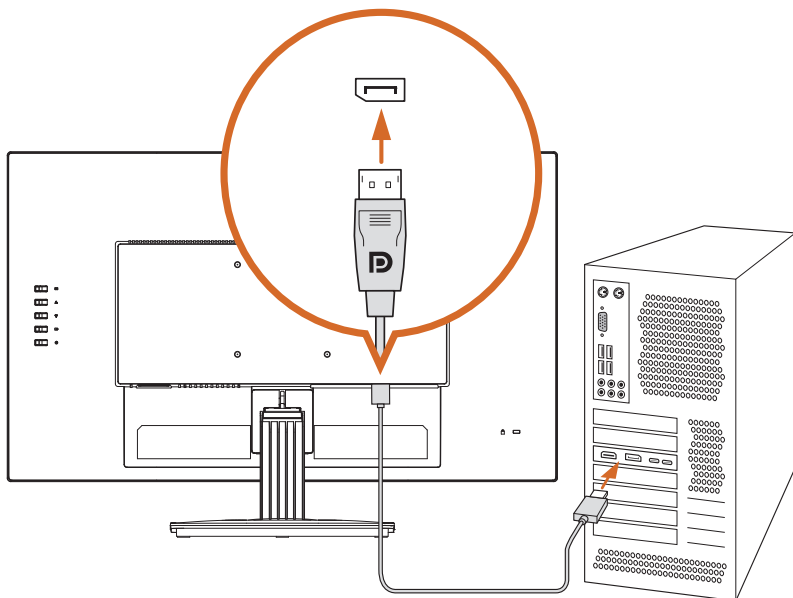
HDMI Connection

Connect one end of the HDMI cable to the HDMI connector on the rear side of the monitor. Then connect the other end to the HDMI connector on the PC or laptop. Pass the cable through the cable management hole on the stand arm.



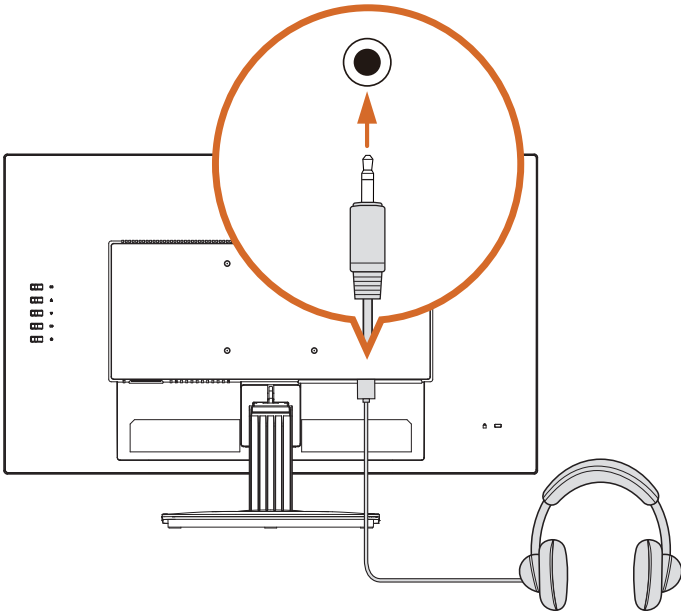
DisplayPort Connection

Connect one end of the DisplayPort cable to the DisplayPort input connector on the rear side of the monitor. Then connect the other end to the DisplayPort output connector on the PC or laptop. Pass the cable through the cable management hole on the stand arm.



Audio Cable Connection

You can connect headphones to the headphone jack on the bottom side of the monitor. Pass the cable through the cable management hole on the stand arm.



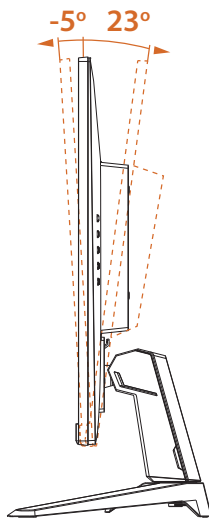
2.4 Adjusting the Viewing Angle

Tilt Angle Adjustment

For optimal viewing, it is recommended to look at the full face of the monitor, and then adjust the monitor's angle to your own preference.

Hold the stand firmly with one hand while tilting the monitor forwards or backwards with the other hand so you do not topple the monitor when you adjust the monitor's angle.

You are able to adjust the tilted angle from -5° to 23° .

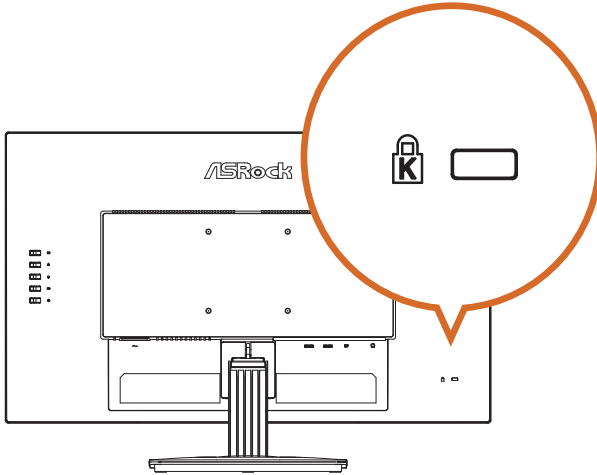


Important

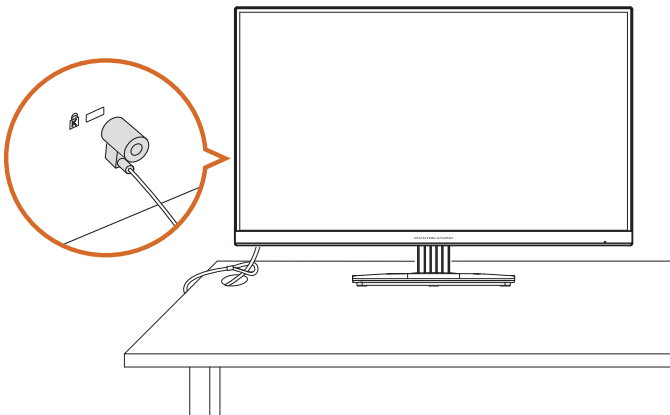
Be careful not to touch or press the display screen area when adjusting the monitor.

2.5 Using the Security Slot

This monitor supports a Kensington-type security slot. The Kensington lock can be used to secure the monitor and prevent it from being stolen in public locations.

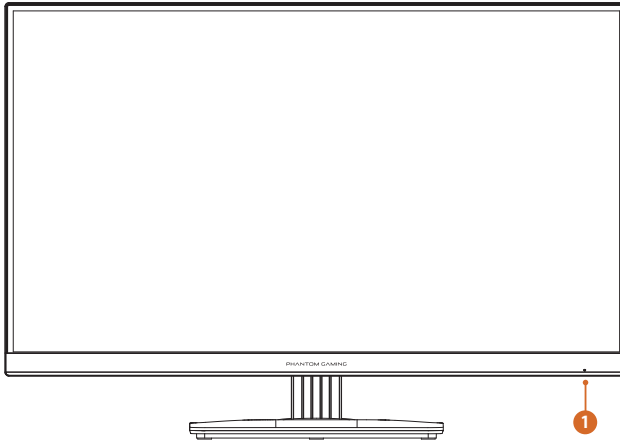


NOTE: Kensington lock is not included. You need to purchase an additional locking device.



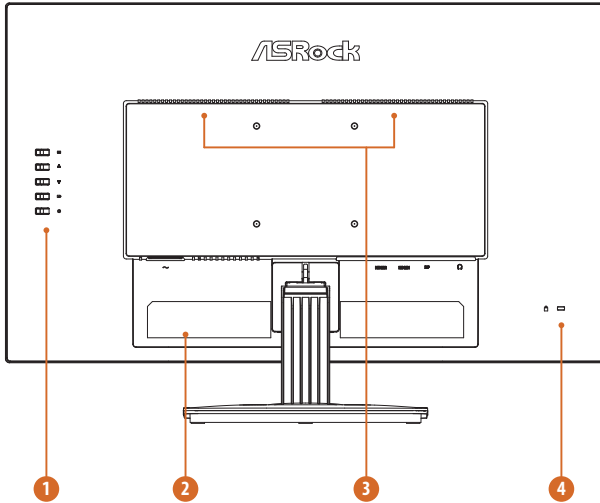
Chapter 3 Monitor Overview

3.1 Front View



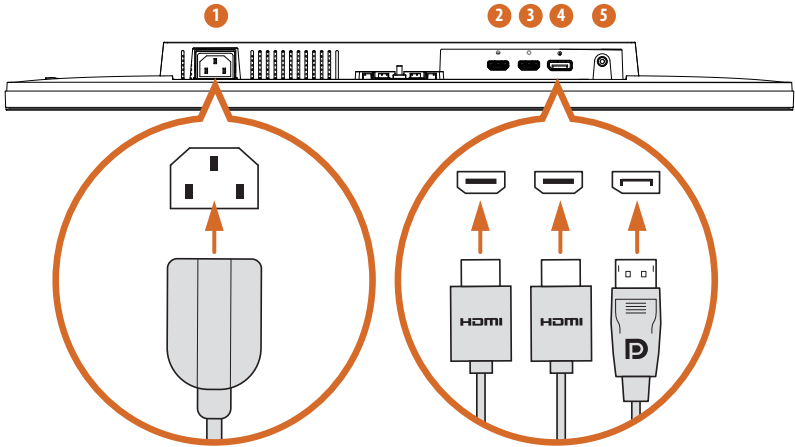
| No. | Item | Description |
|-----|-----------------|--|
| 1 | Power Indicator | The color definition of the power indicator: <ul style="list-style-type: none">• Solid Blue - Power on mode• Solid Orange - Standby mode• LED Off - Off mode |

3.2 Rear View



| No. | Item | Description |
|-----|---|--|
| 1 | Power On/Off button & Hot Keys/OSD Keys | Press to turn the monitor on. Press and hold for 3 seconds to turn the monitor off. Please see "Hot Keys" on page 22 and "OSD Keys" on page 23 for more information. |
| 2 | Serial label | Lists the the model name of the monitor and the power rating information. |
| 3 | Built-in Speakers | The monitor is equipped with built-in speakers for audio output. |
| 4 | Kensington Lock slot | Secures monitor with security lock (security lock not included). |

3.3 Bottom View



| No. | Item | Description |
|-----|--------------|--|
| 1 | AC-IN port | Connect the power cord. |
| 2 | HDMI-2 port | Connect your computer with the HDMI cable. |
| 3 | HDMI-1 port | Connect your computer with the HDMI cable. |
| 4 | DisplayPort | Connect your computer with the DisplayPort cable. |
| 5 | Audio output | Connect your headphones with the audio cable. (Purchase separately) |

Chapter 4 Specifications

4.1 Monitor Specifications

| | | |
|--------------------------|-------------------|--|
| Display | Panel Size | 27 inch |
| | Viewing Area | 596.736(H) x 335.664(V) |
| | Aspect Ratio | 16:9 |
| | Panel Type | IPS |
| | Viewing Angle | 178°(H) / 178°(V) |
| | Resolution | 1920 x 1080 |
| | Pixel Pitch | 0.3108(H) x 0.3108(W) |
| | Curvature | Flat |
| | Refresh Rate | 180 Hz (max) |
| | Response Time | 4ms (GTG) |
| | | 1ms (MPRT) |
| | Brightness (typ.) | HDR on: 450 (Typ)/ HDR off: 350 (Typ) |
| | Color Space | 94% DCI-P3 / 123% sRGB |
| | Display Colors | 16.7M |
| | Contrast Ratio | 1000:1(Typ) |
| | Display Surface | Anti-Glare |
| | HDR | HDR400 |
| | Flicker-free | YES |
| | Low Blue Light | YES |
| Adaptive Sync Technology | AMD FreeSync | |
| I/O Ports | HDMI | 2*HDMI™ 2.0 |
| | DisplayPort | 1*DisplayPort™ 1.2 |
| | Audio Out 3.5" | 1*Earphone Jack (3.5 mm) |
| | Speaker | 2W*2 |
| Digital Signal Frequency | HDMI | 30KHz~225KHz (H); 48~180Hz (V)" |
| | DP | 225KHz~225KHz (H); 48Hz~180Hz (V) |

| | | |
|------------------------------|--|--|
| Power Consumption | Power Consumption (Max) | ≤ 42W |
| | Power Saving Mode | ≤ 0.5 W |
| | Power Off Mode | ≤ 0.3 W |
| | Voltage | 100~240Vac, 50/60Hz, 1.5A |
| Mechanical Design | Tilt Adjustment | -5° ~ 23° |
| | Swivel Adjustment | N/A |
| | HAS | N/A |
| | Wifi Antenna | N/A |
| | VESA Mount | 100x100 mm |
| Dimension (W x H x D) | Dimension with Stand | 613.16*429.71*224.63mm |
| | Dimension without Stand | 613.16*367.77*53.47mm |
| Weight | Net Weight with Stand | 4.25kg |
| | Net Weight without Stand | 3.78kg |
| | Gross Weight | 6.93kg |
| Environment | Operating | <ul style="list-style-type: none"> • Temperature: 0°C to 40°C • Humidity: 10% to 85%, non-condensing • Altitude: 0 ~ 3658m |
| | Storage | <ul style="list-style-type: none"> • Temperature: -20°C to 60°C • Humidity: 5% to 80%, non-condensing • Altitude : 0~12192m |
| Accessories (Vary by region) | 1*Power Cord (1.5m) 1*HDMI Cable v2.0 (1.5m) 1*DP v1.2 (1.5m) 1*Quick Start Guide | |
| Certificate | VESA DisplayHDR™ 400 AMD FreeSync™ | |


4.2 Supported Timing List


| Standard | Resolution | PG27FFT1B | |
|--------------|------------------|-----------|----|
| | | HDMI | DP |
| IBM MODE DOS | 720x400 @70Hz | V | V |
| VGA | 640x480 @60Hz | V | V |
| | 640x480 @67Hz | V | V |
| | 640x480 @72Hz | V | V |
| | 640x480 @75Hz | V | V |
| SVGA | 800x600 @56Hz | V | V |
| | 800x600 @60Hz | V | V |
| | 800x600 @72Hz | V | V |
| | 800x600 @75Hz | V | V |
| XGA | 1024x768 @60Hz | V | V |
| | 1024x768 @70Hz | V | V |
| | 1024x768 @75Hz | V | V |
| SXGA | 1280x1024 @60Hz | V | V |
| | 1280x1024 @75Hz | V | V |
| WXGA+ | 1440x900 @60Hz | V | V |
| WSXGA+ | 1680x1050 @60Hz | V | V |
| ---- | 1152x864 @75Hz | V | V |
| | 1280x960 @60Hz | V | V |
| | 1280x720 @60Hz | V | V |
| Full HD | 1920x1080 @60Hz | V | V |
| | 1920x1080 @75Hz | V | V |
| | 1920x1080 @100Hz | V | V |
| | 1920x1080 @120Hz | V | V |
| | 1920x1080 @165Hz | V | V |
| | 1920x1080 @180Hz | V | V |
| UHD | 3840x2160 @50Hz | V | |
| | 3840x2160 @60Hz | V | |

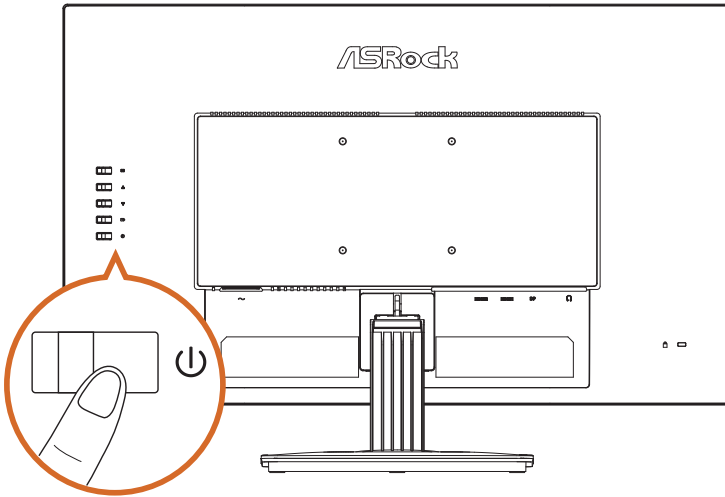
| | | | |
|----------------------------|----------------------------------|---|---|
| Video Timing Resolution | 640x480P 59.94/60Hz 4:3 | V | V |
| | 720x480P 59.94/60Hz 4:3 | V | V |
| | 720x480P 59.94/60Hz 16:9 | V | V |
| | 720x576P 50Hz 4:3 | V | V |
| | 720x576P 50Hz 16:9 | V | V |
| | 1280x720P 50Hz 16:9 | V | V |
| | 1280x720P 59.94/60Hz 16:9 | V | V |
| | 1920x1080p 50Hz 16:9 | V | V |
| | 1920x1080P 59.94/60Hz 16:9 | V | V |
| | 1920x1080P 119.88/120Hz 16:9/1:1 | V | V |
| | 1920 x 1080 P 23.97/24Hz 16:9 | V | |
| | 1920 x 1080 P 25Hz 16:9 | V | |
| | 1920 x 1080 P 29.97/30Hz 16:9 | V | |

Chapter 5 Operating the Monitor

5.1 Powering On/Off the Monitor

Press the Power button  to turn on the monitor. The power indicator lights up in solid blue to show that the monitor is ON.

To turn the monitor off, press and hold the Power button  about 3 seconds until the LED light on the Power button turns OFF.



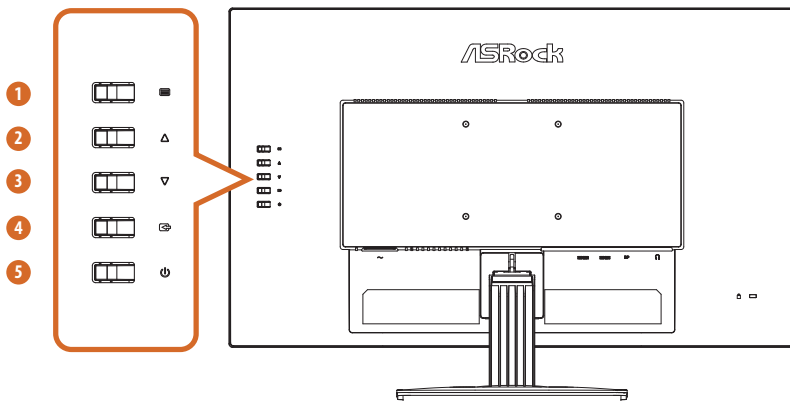
The color definition of the power indicator:

| LED Indicator | Status | Description |
|---------------|---------|---|
| Solid Blue | On | Solid blue light indicates the monitor is turned on. |
| Flashing Blue | Standby | Flashing blue light indicates the monitor is in standby mode. |
| LED Off | Off | No light indicates the monitor is turned off. |

5.2 Hot Keys

When the OSD screen is off, press the control buttons on the rear side of the monitor to access the OSD menu, adjust volume, change the preset mode, or select the input source.






The labels on the front panel correspond to the buttons on the back.

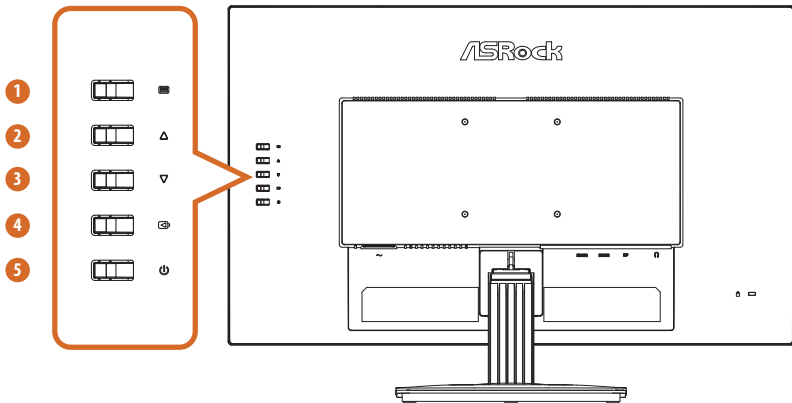







| No. | Icon | Hot Key (When OSD is OFF) |
|-----|------|--|
| 1 | | MENU/NAVI KEY Activate the OSD Main Menu. |
| 2 | | VOLUME Activate the Volume control. |
| 3 | | MODE Activate the Presets Modes function. |
| 4 | | INPUT SOURCE Select the input sources. |
| 5 | | POWER Press the power button to turn on/off the monitor. |

5.3 OSD (On-Screen Display) Keys

When the OSD screen is on, press the control buttons on the rear side of the monitor to navigate the OSD menu and adjust the settings.

1. To access the OSD (On-Screen Display) menu, press the Menu button  to access the OSD main menu.
2. Use the Increase  and Decrease  buttons to navigate through OSD menus and items.
3. Press the Enter button  to confirm the selection.
4. Press the Exit button  to exit the current menu.



| No. | Icon | OSD Key (When OSD is ON) |
|-----|---|--|
| 1 |  | ENTER Confirm the selection. |
| 2 |  | INCREASE (+) Move the option upwards or increase the option value. |
| 3 |  | DECREASE (-) Move the option downwards or decrease the option value. |
| 4 |  | EXIT Exit the current menu. |
| 5 |  | POWER Press the power button to turn on/off the monitor. |

Chapter 6 OSD Setup

This chapter provides you with essential information on OSD Setup.



Important

All information is subject to change without prior notice.

6.1 Accessing the OSD Menu

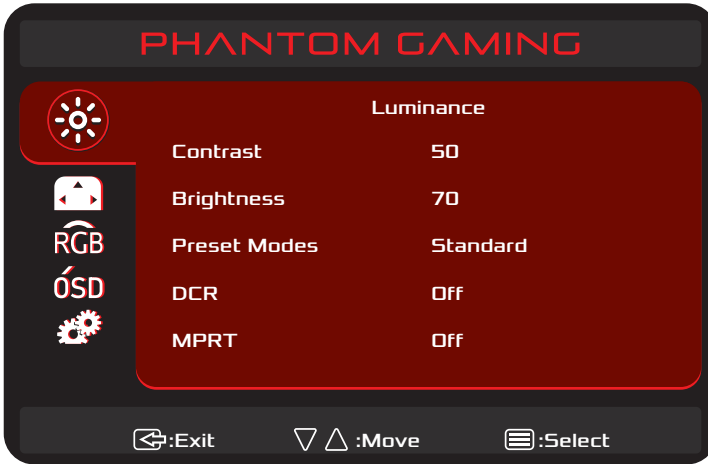
After you press the joystick button, the OSD menu appears on the lower right corner of your monitor screen.



| No. | Item | Description |
|-----|----------------|---|
| 1 | Main Menu Item | Display the main menu items. |
| 2 | Sub Menu Item | Display the sub menu items. |
| 3 | Sub Menu | Display the sub menu. |
| 4 | OSD Key | Follow the key guide displayed on the bottom of the OSD screen to move or select (adjust) OSD settings. |

6.2 OSD Menus

Function: Luminance



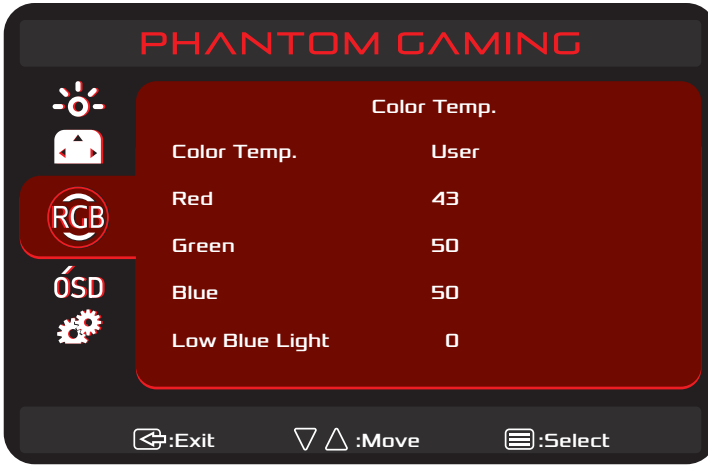
| Main Menu Item | Sub Menu Item | Sub Menu | Description |
|----------------|---------------|-------------------------|---|
| Luminance | Contrast | 0-100 | Contrast djusts the degree of difference between darkness and lightness on the monitor screen. |
| | | Brightness | |
| | Preset Modes | Standard | When you select Preset Modes, you can choose Standard, Text, Internet, Game, Movie or Sports from the list. |
| | | Text | |
| | | Internet | |
| | | Game | |
| | | Movie | |
| | DCR | On | Dynamic contrast ratio On or Off |
| Off | | | |
| MPRT | On | MPRT function On or Off | |

Function: Image Setup



| Main Menu Item | Sub Menu Item | Sub Menu | Description |
|----------------|---------------|----------|---------------------------|
| Image Setup | Image Ratio | Wide | Select Image Aspect Ratio |
| | | Aspect | |
| | OD | On | Overdrive Adjustment |
| | | Off | |
| | FreeSync | On | FreeSync On or Off |
| | | Off | |
| | HDR | Auto | HDR Auto or Off |
| | | Off | |

Function: Color Temp.



| Main Menu Item | Sub Menu Item | Sub Menu | Description | |
|----------------|---------------|----------|---|--|
| Color Temp. | Normal | – | Loads the monitor's default color settings. | |
| | Warm | – | Increases the color temperature. The screen appears warmer with a red/yellow tint. | |
| | Cool | – | Decreases the color temperature. The screen appears cooler with a blue tint. | |
| | User | Red | | Allows you to manually adjust the color settings. Press the Δ and ∇ buttons to adjust the three colors (Red, Green, Blue) values and create your own preset color mode. |
| | | Green | | |
| Blue | | | | |
| Low Blue Light | 0~10(Level) | | Phantom Gaming Monitor with ASRock Low Blue Light Technology reduces the emission of harmful blue lights on a display to prevent eye fatigue. | |

Function: OSD Setup



| Main Menu Item | Sub Menu Item | Sub Menu | Description |
|----------------|---------------|----------|---------------------------------------|
| OSD Setup | H. Position | 0-100 | Adjust the horizontal position of OSD |
| | V. Position | 0-100 | Adjust the vertical position of OSD |
| | Timeout | 5-100 | Adjust the OSD Timeout |
| | Language | – | Select the OSD language |

Function: Extra



| Main Menu Item | Sub Menu Item | Sub Menu | Description |
|----------------|---------------|--|----------------------------|
| Extra | Input Select | Auto | Select input source |
| | | HDMI1 | |
| | | HDMI2 | |
| | | DisplayPort | |
| | DDC/CI | On or Off | Turn ON/OFF DDC/CI Support |
| Reset | Yes or No | Reset the menu to default. | |
| Information | - | Show the information of the main image source. | |

Chapter 7 Troubleshooting

| Problem and Question | Possible Solution |
|--|--|
| Power LED is not on | <ul style="list-style-type: none"> • Check if the Power button is pressed and the monitor is power on. • Power Cord should be connected. |
| No signal | <ul style="list-style-type: none"> • Check that the video cable is properly connected. If the connector is loose, tighten the connector's screws. • Check the video cable's connection pins for damage. |
| Picture is fuzzy | <ul style="list-style-type: none"> • Adjust the Contrast and Brightness Controls. |
| Picture bounces or a wave pattern is present in the picture | <ul style="list-style-type: none"> • Move electrical devices that may cause electrical interference. |
| The power LED is ON (Orange) but there's no video or no picture. | <ul style="list-style-type: none"> • Computer Power Switch should be in the ON position. • Computer Graphics Card should be snugly seated in its slot. • Make sure Monitor's video cable is properly connected to the computer. • Inspect Monitor's video cable and make sure none of the pins are bent. |
| Missing one of the primary colors (RED, GREEN, or BLUE) | <ul style="list-style-type: none"> • Inspect the Monitor's video cable and make sure that none of the pins are bent. |
| Picture has color defects (white does not look white) | <ul style="list-style-type: none"> • Adjust RGB color or select color temperature. |
| Poor brightness or contrast | <ul style="list-style-type: none"> • When the brightness of the screen lowers after being used for a certain period and the function of the display is affected, send it to our authorized service center for repair. |
| Unable to open OSD menu. | <ul style="list-style-type: none"> • Turn off your monitor, unplug the power cord and plug it back in, then power on the monitor. • Check if the OSD menu is locked. If so, please press and hold the Navi Key for 5~6 seconds to unlock the OSD menu. |

Chapter 8 Safety Instructions

- Read the safety instructions carefully and thoroughly.
- All cautions and warnings on the device or User Guide should be noted.
- Refer servicing to qualified personnel only.

Safety Information

- Make sure that the power voltage is within its safety range and has been adjusted properly to the value of 100~240V before connecting the device to the power outlet.
- To avoid electrical shock, always use the power cord and plug with a properly grounded power outlet.
- If the power cord comes with a 3-pin plug, do not disable the protective earth pin from the plug.
- Always disconnect the power cord or switch the wall socket off if the device would be left unused for a certain time to achieve zero energy consumption.
- Place the power cord in a way that people are unlikely to step on it. Do not place anything on the power cord.
- If this device comes with an adapter, use only the ASRock provided AC adapter approved for use with this device.
- To prevent fire or shock hazard, never expose the monitor to rain or moisture.
- Never try to open the monitor cabinet. The dangerous high voltages inside the monitor may result in serious physical injury.
- Never place this product near or over a radiator or heat source unless proper ventilation is provided.
- Do not overload power strips and extension cords. Overloading can result in fire or electric shock.
- Never push objects or spill liquid of any kind into the slots on the monitor cabinet.

European Union:

Batteries, battery packs, and accumulators should not be disposed of as unsorted household waste. Please use the public collection system to return, recycle, or treat them in compliance with the local regulations.

California, USA:

The button cell battery may contain perchlorate material and requires special handling when recycled or disposed of in California. For further information please visit: <https://dtsc.ca.gov/perchlorate/>

Canadian Department of Communications Statement

This digital apparatus does not exceed the Class B limits for radio noise emissions from digital apparatus set out in the Radio Interference Regulations of the Canadian Department of Communications.

This class B digital apparatus complies with Canadian ICES-003.

This Class B digital apparatus meets all requirements of the Canadian Interference - Causing Equipment Regulations.

Cet appareil numérique de la classe B respecte toutes les exigences du Règlement sur le matériel brouilleur du Canada.

Environment

- To reduce the possibility of heat-related injuries or of overheating the device, do not place the device on a soft, unsteady surface or obstruct its air ventilators.
- Use this device only on a hard, flat and steady surface.
- To prevent the device from tipping over, secure the device to a desk, wall or fixed object with an anti-tip fastener that helps to properly support the device and keep it safe in place.
- To prevent fire or shock hazard, keep this device away from humidity and high temperature.
- Do not leave the device in an unconditioned environment with a storage temperature above 60°C or below -20°C , which may damage the device.
- The maximum operating temperature is around 40°C .
- When cleaning the device, be sure to remove the power plug. Use a piece of soft cloth rather than industrial chemical to clean the device. Never pour any liquid into the opening; that could damage the device or cause electric shock.
- Always keep strong magnetic or electrical objects away from the device.
- If any of the following situations arises, get the device checked by service personnel:
 - The power cord or plug is damaged.
 - Liquid has penetrated into the device.
 - The device has been exposed to moisture.
 - The device does not work well or you can not get it working according to the User Guide.
 - The device has dropped and damaged.
 - The device has obvious sign of breakage.

Warning!

Overuse of screens is likely to affect eyesight.

Recommendations:

Take a 10-minute break for every 30 minutes of screen time.

Children under 2 years of age should have no screen time. For children aged 2 years and over, screen time should be limited to less than one hour per day.

CE Conformity



This device complies with the requirements set out in the Council Directive on the Approximation of the Laws of the Member States relating to Electromagnetic Compatibility (2014/30/EU), Low-voltage Directive (2014/35/EU), ErP Directive (2009/125/EC) and RoHS directive (2011/65/EU). This product has been tested and found to comply with the harmonized standards for Information Technology Equipment published under Directives of Official Journal of the European Union.

ASRock Contact Information

ASRock EUROPE B.V.

Address : Bijsterhuizen 11-11, 6546 AR Nijmegen, The Netherlands

Phone: +31-24-345-44-33

Technical Support

Phone: +31-24-345-44-33

Online Support <https://event.asrock.com/tsd.asp>

FCC-B Radio Frequency Interference Statement



This equipment has been tested and found to comply with the limits for a Class B digital device, pursuant to Part 15 of the FCC Rules. These limits are designed to provide reasonable protection against harmful interference in a residential installation. This equipment generates, uses and can radiate radio frequency energy and, if not installed and used in accordance with the instruction manual, may cause harmful interference to radio communications. However, there is no guarantee that interference will not occur in a particular installation. If this equipment does cause harmful interference to radio or television reception, which can be determined by turning the equipment off and on, the user is encouraged to try to correct the interference by one or more of the measures listed below:

- Reorient or relocate the receiving antenna.
- Increase the separation between the equipment and receiver.
- Connect the equipment into an outlet on a circuit different from that to which the receiver is connected.
- Consult the dealer or an experienced radio/television technician for help.

Notice 1

The changes or modifications not expressly approved by the party responsible for compliance could void the user's authority to operate the equipment.

Notice 2

Shielded interface cables and AC power cord, if any, must be used in order to comply with the emission limits.

This device complies with Part 15 of the FCC Rules. Operation is subject to the following two conditions:

- This device may not cause harmful interference
- This device must accept any interference received, including interference that may cause undesired operation.

ASRock Contact Information

ASRock America, Inc.

Address : 13848 Magnolia Ave, Chino, CA91710, U.S.A.

Phone: +1-909-590-8308

Technical Support

Phone: +1-909-590-8308

Online Support <https://event.asrock.com/tsd.asp>

WEEE Statement

Under the European Union (“EU”) Directive on Waste Electrical and Electronic Equipment, Directive 2012/19/EU, products of “electrical and electronic equipment” cannot be discarded as municipal waste anymore and manufacturers of covered electronic equipment will be obligated to take back such products at the end of their useful life.



Chemical Substances Information

In compliance with chemical substances regulations, such as the EU REACH Regulation (Regulation EC No. 1907/2006 of the European Parliament and the Council), ASRock provides the relevant information at:
<https://asrock.com/general/about.asp?cat=Responsibility>

RoHS Statement

Japan JIS C 0950 Material Declaration

A Japanese regulatory requirement, defined by specification JIS C 0950, mandates that manufacturers provide material declarations for certain categories of electronic products offered for sale after July 1, 2006.



The terms HDMI, HDMI High-Definition Multimedia Interface, HDMI trade dress and the HDMI Logos are trademarks or registered trademarks of HDMI Licensing Administrator, Inc.



Copyright and Trademarks Notice

Copyright © ASRock Inc. All rights reserved. The ASRock logo used is a registered trademark of ASRock Inc. All other marks and names mentioned may be trademarks of their respective owners. No warranty as to accuracy or completeness is expressed or implied. ASRock reserves the right to make changes to this document without prior notice.

Technical Support

If a problem arises with your product and no solution can be obtained from the user's manual, please contact your place of purchase or local distributor. Alternatively, please visit <https://www.asrock.com> for further guidance.

Product information for EU energy label

<https://eprel.ec.europa.eu/qr/1115756>

Copyright Notice

No part of this documentation may be reproduced, transcribed, transmitted, or translated in any language, in any form or by any means, except duplication of documentation by the purchaser for backup purpose, without written consent of ASRock Inc.

Products and corporate names appearing in this documentation may or may not be registered trademarks or copyrights of their respective companies, and are used only for identification or explanation and to the owners' benefit, without intent to infringe.

Disclaimer

Because the monitor specifications and the firmware might be updated, the content of this documentation will be subject to change without notice. In case any modifications of this documentation occur, the updated version will be available on ASRock's website without further notice. If you require technical support related to this monitor, please visit our website for specific information about the model you are using. You may find the latest monitor support list on ASRock's website as well.

ASRock Website: <http://www.asrock.com>