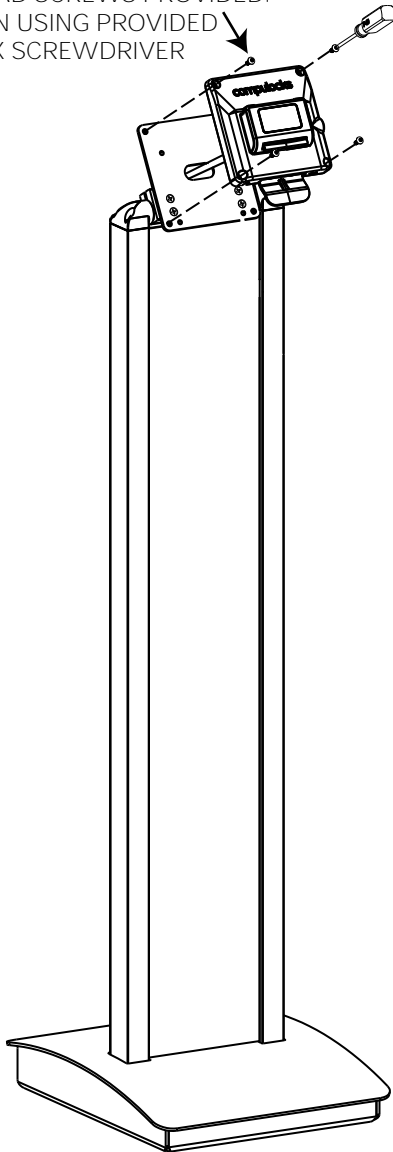


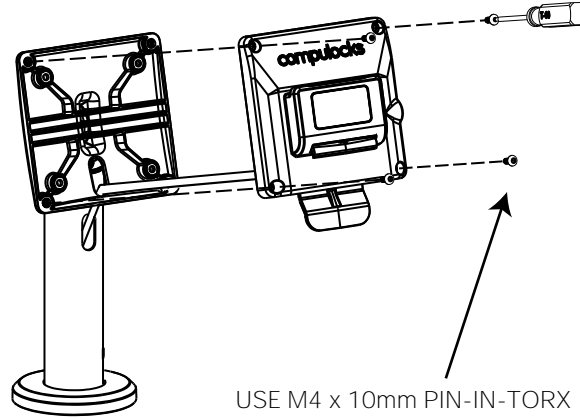
Mounting Options

1 Floor Stand Mounting

USE M4 x 10mm PIN-IN-TORX
BUTTON HEAD SCREWS PROVIDED.
TIGHTEN USING PROVIDED
TORX SCREWDRIVER

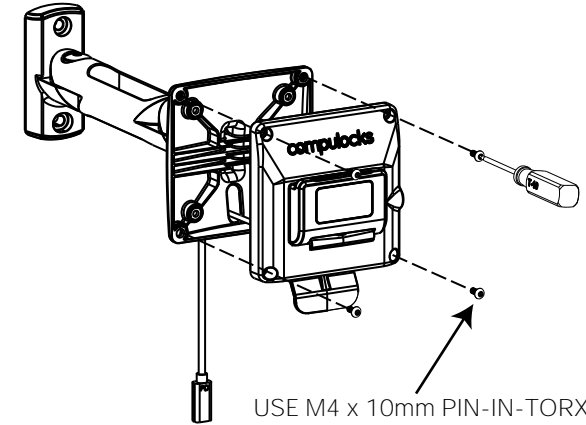


2 Counter Stand Mounting



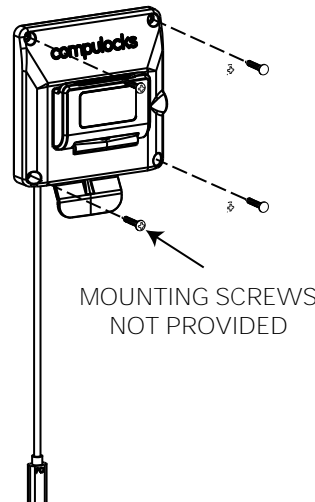
USE M4 x 10mm PIN-IN-TORX
BUTTON HEAD SCREWS PROVIDED.
TIGHTEN USING PROVIDED
TORX SCREWDRIVER

3 Wall Arm Mounting



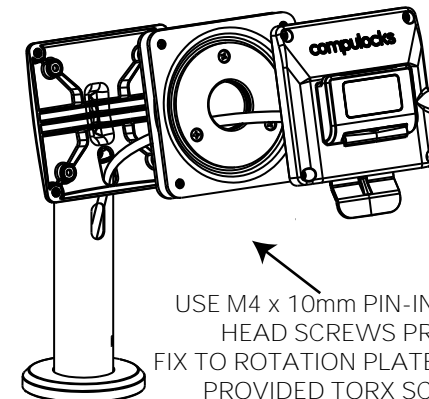
USE M4 x 10mm PIN-IN-TORX
BUTTON HEAD SCREWS PROVIDED.
TIGHTEN USING PROVIDED
TORX SCREWDRIVER

4 Direct Mounting To Wall



MOUNTING SCREWS
NOT PROVIDED

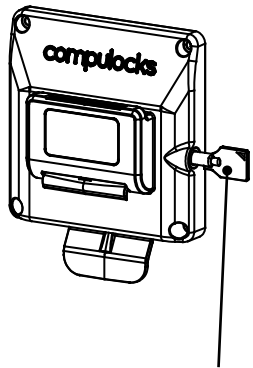
Optional Add-On: Portrait To Landscape Rotation Plate



USE M4 x 10mm PIN-IN-TORX BUTTON
HEAD SCREWS PROVIDED TO
FIX TO ROTATION PLATE. TIGHTEN USING
PROVIDED TORX SCREWDRIVER.
USE SCREWS PROVIDED WITH ROTATION PLATE
TO SECURE TO STAND or ARM

Placing Tablet with Connector to Dock Station

1



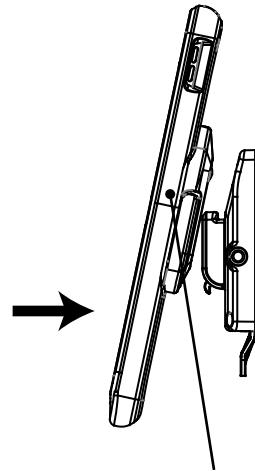
USE KEY TO UNLOCK THE LOCK.
REMOVE KEY

2



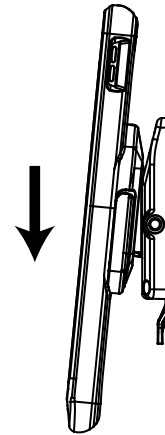
ALIGN CONNECTOR TO DOCK STATION

3

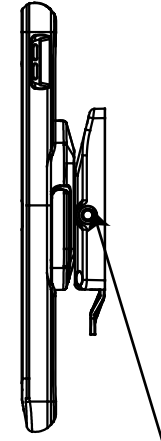


APPLY LIGHT PRESSURE.
LATCH WILL ENGAGE

4

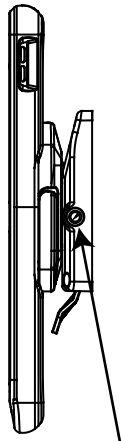


PUSH LOCK BUTTON TO SECURE
TABLET TO DOCK STATION



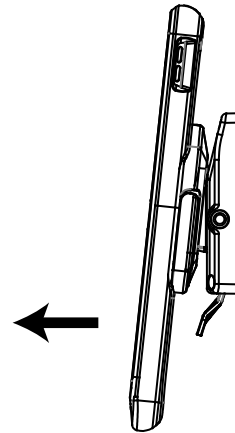
Removing Tablet with Connector from Dock Station

1



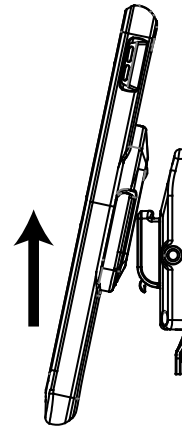
PRIOR TO PULLING LATCH,
UNLOCK LOCK USING KEY

2



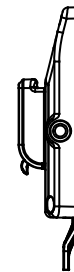
PULL LATCH FORWARD

3



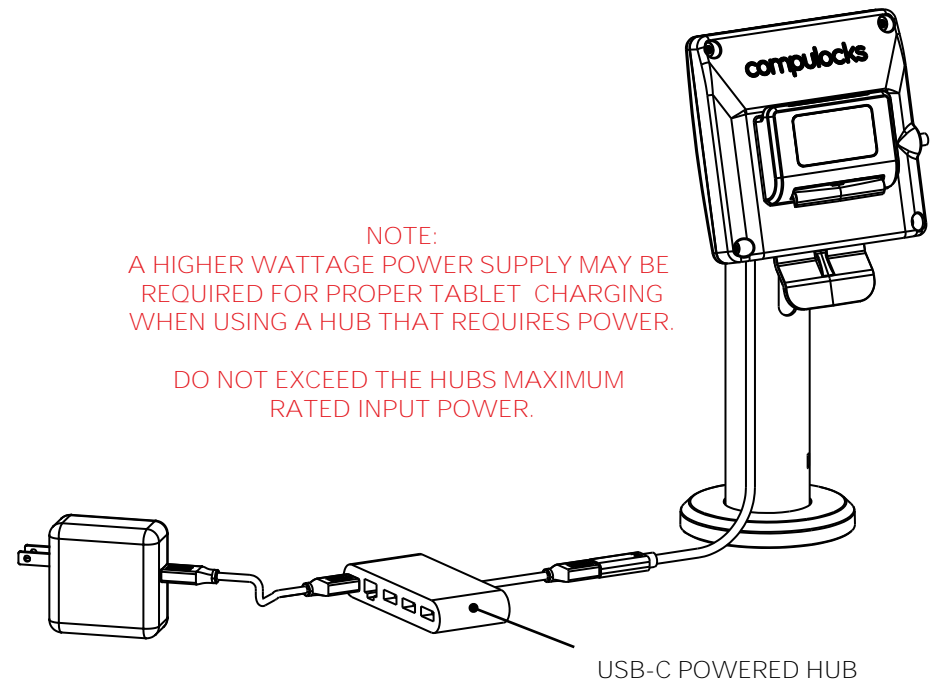
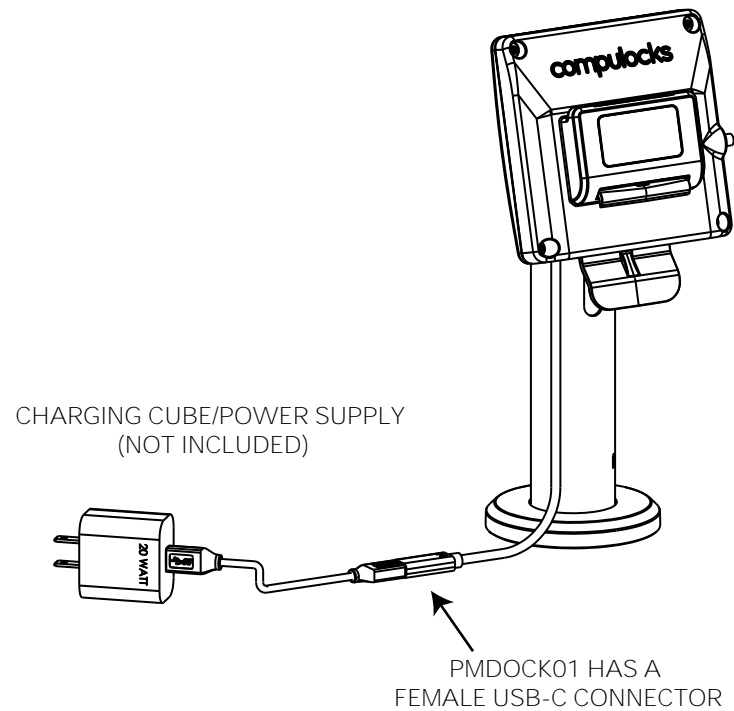
GENTLY PULL UP TO RELEASE

4

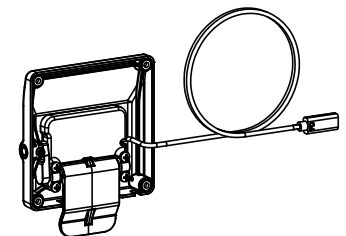
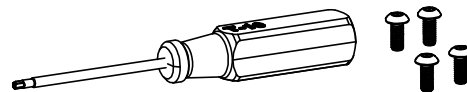


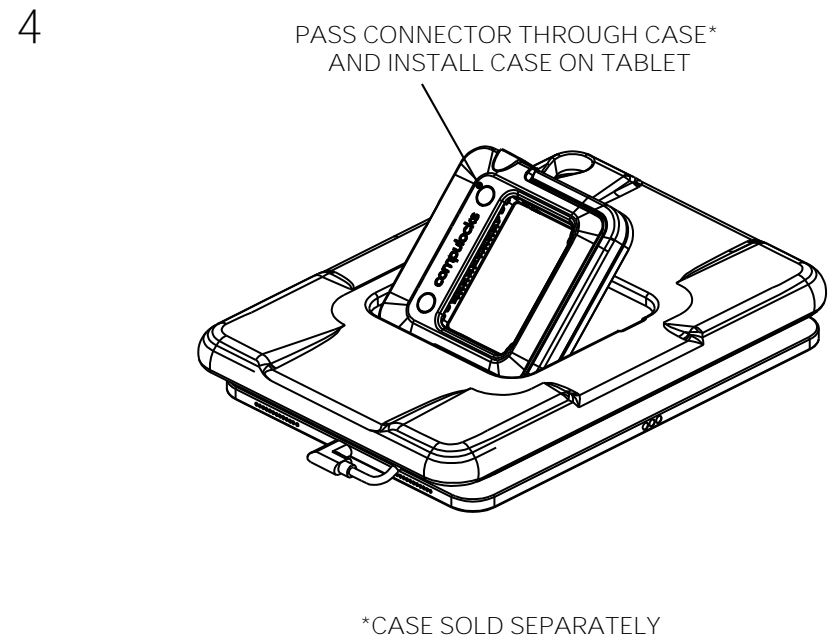
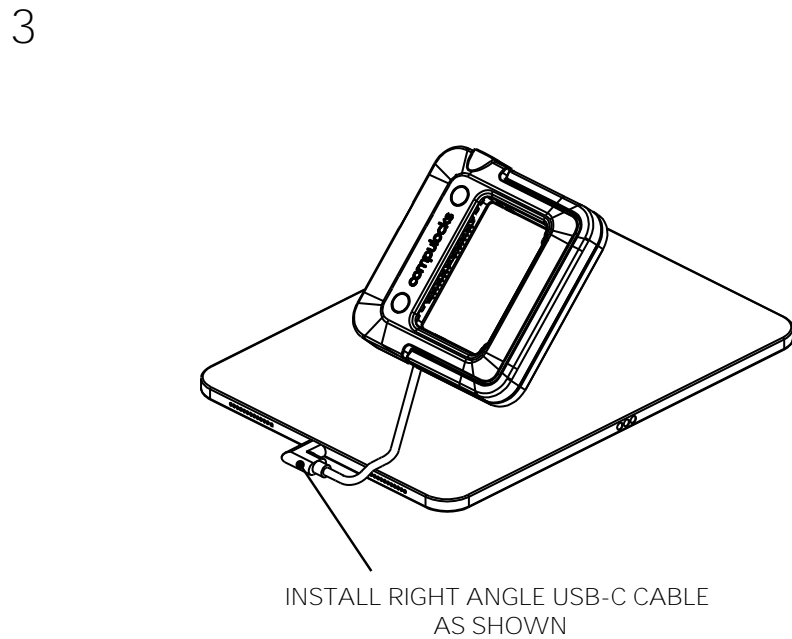
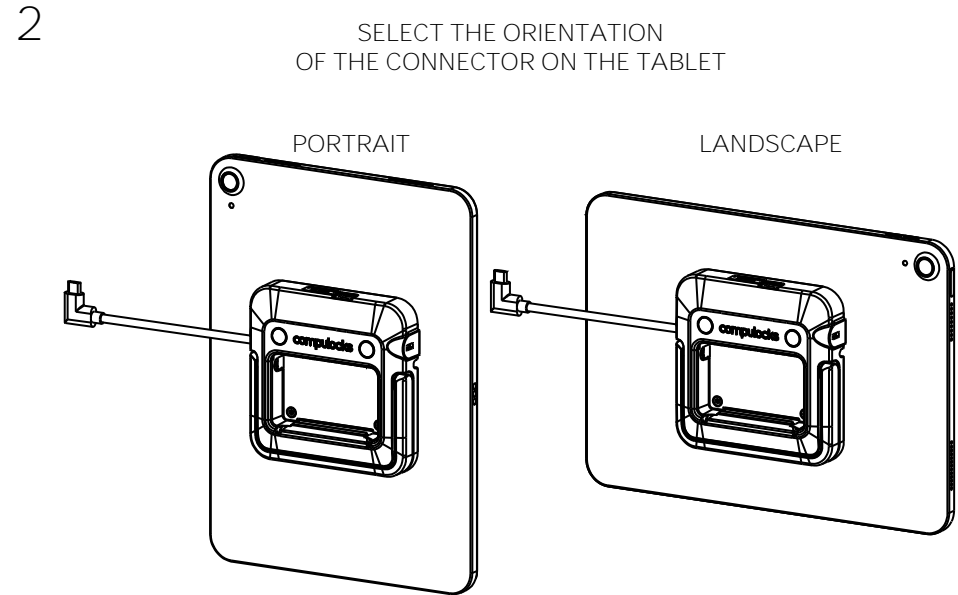
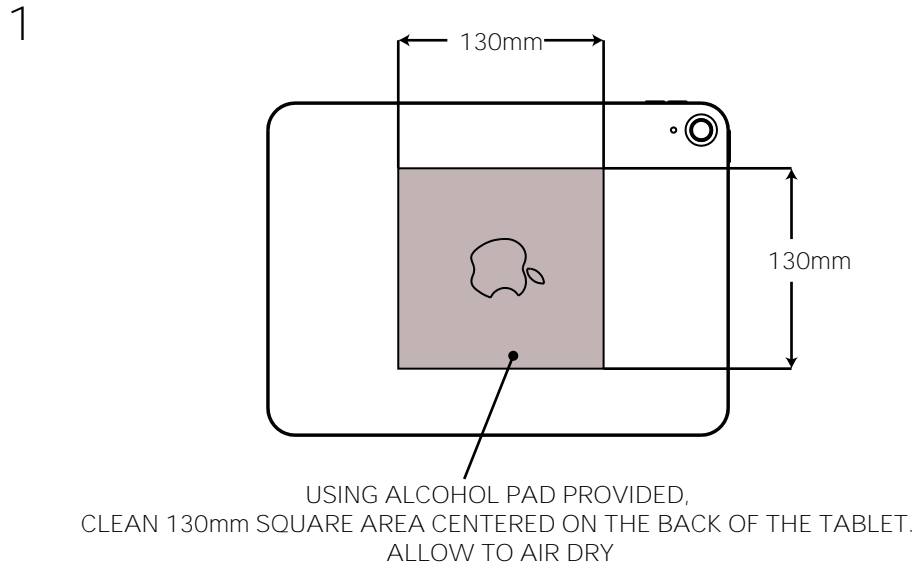
Tablet Charge PD Compatible

Tablet Data and Charge PD Compatible



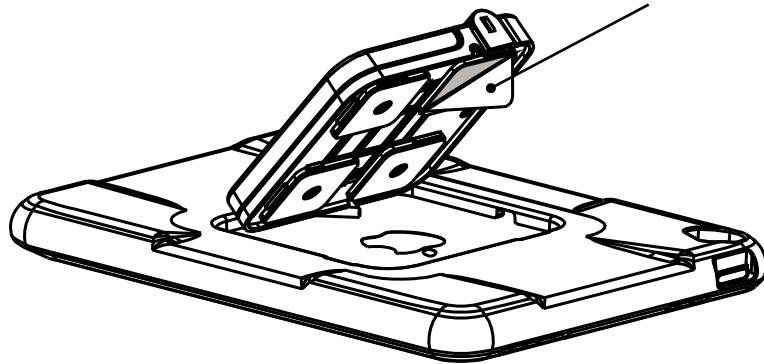
IN THE BOX





5

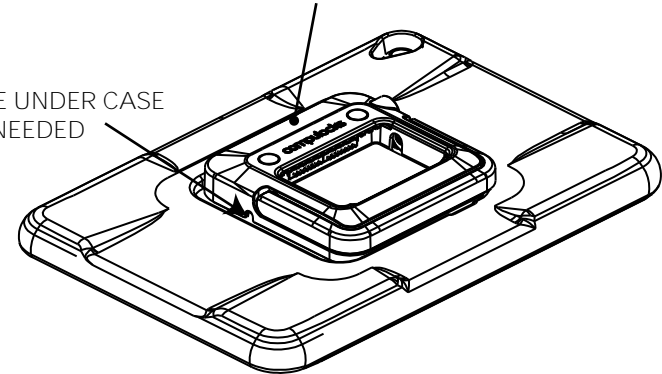
REMOVE COVERS TO EXPOSE
ADHESIVE ON ALL 4 PADS



6

CENTER CONNECTOR ON OPENING
IN CASE AND ADHERE TO TABLET WITH MILD PRESSURE

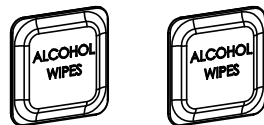
FEED CABLE UNDER CASE
AS NEEDED



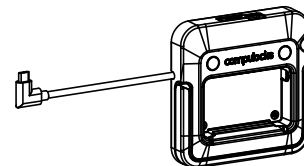
NOTE:
TABLET AND CONNECTOR SHOULD BE AT
ROOM TEMPERATURE FOR BEST RESULTS

FOR BEST PERFORMANCE ALLOW
CONNECTOR TO BOND TO TABLET FOR 12 HOURS.

IN THE BOX



Alcohol Wipes



PowerMove Connector