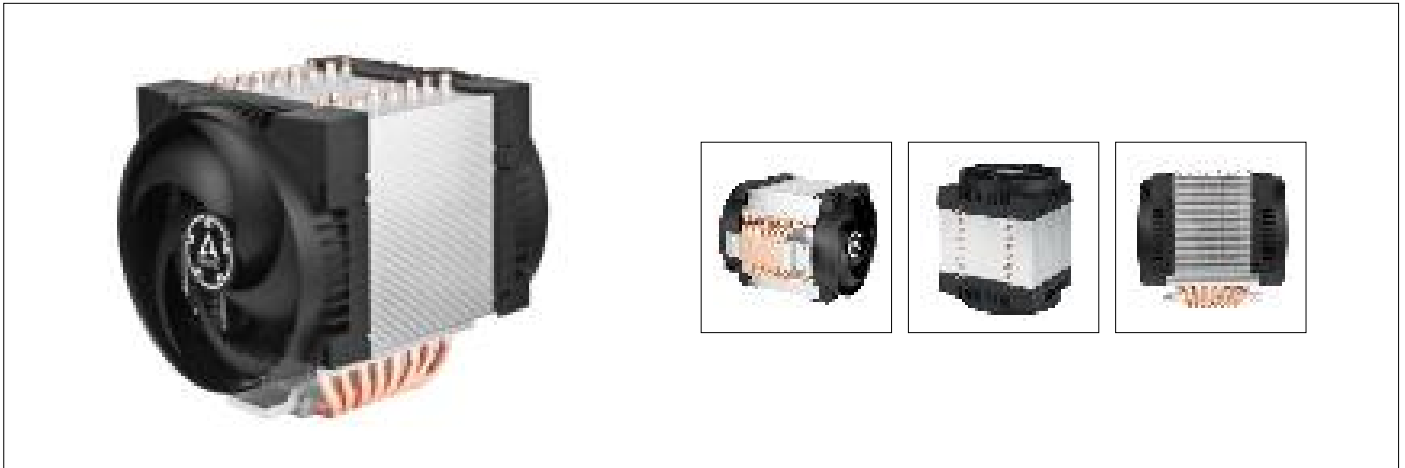


Freezer 4U-M

Multicompatible 4U Single Tower CPU Cooler



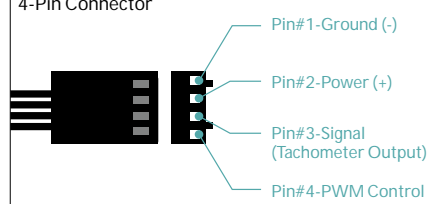
General Specifications

Compatibility	Intel: LGA 4189, LGA 4677 AMD: SP6, sTR5, SP3, TR4, sTRX4, sWRX8
Thermal Compound	ARCTIC MX-6 0.8 g Syringe incl.
Weight	1275 g
Dimensions	124 (L) x 156 (W) x 145 (H) mm
Server Rack Unit	4U & up
Operating Ambient Temperature	0–40 °C

Heatsink Specifications

Heat Pipe	Direct Touch, Ø 6 mm x 8
Number of Fins	57
Fin Material	Aluminium

Fan Specifications

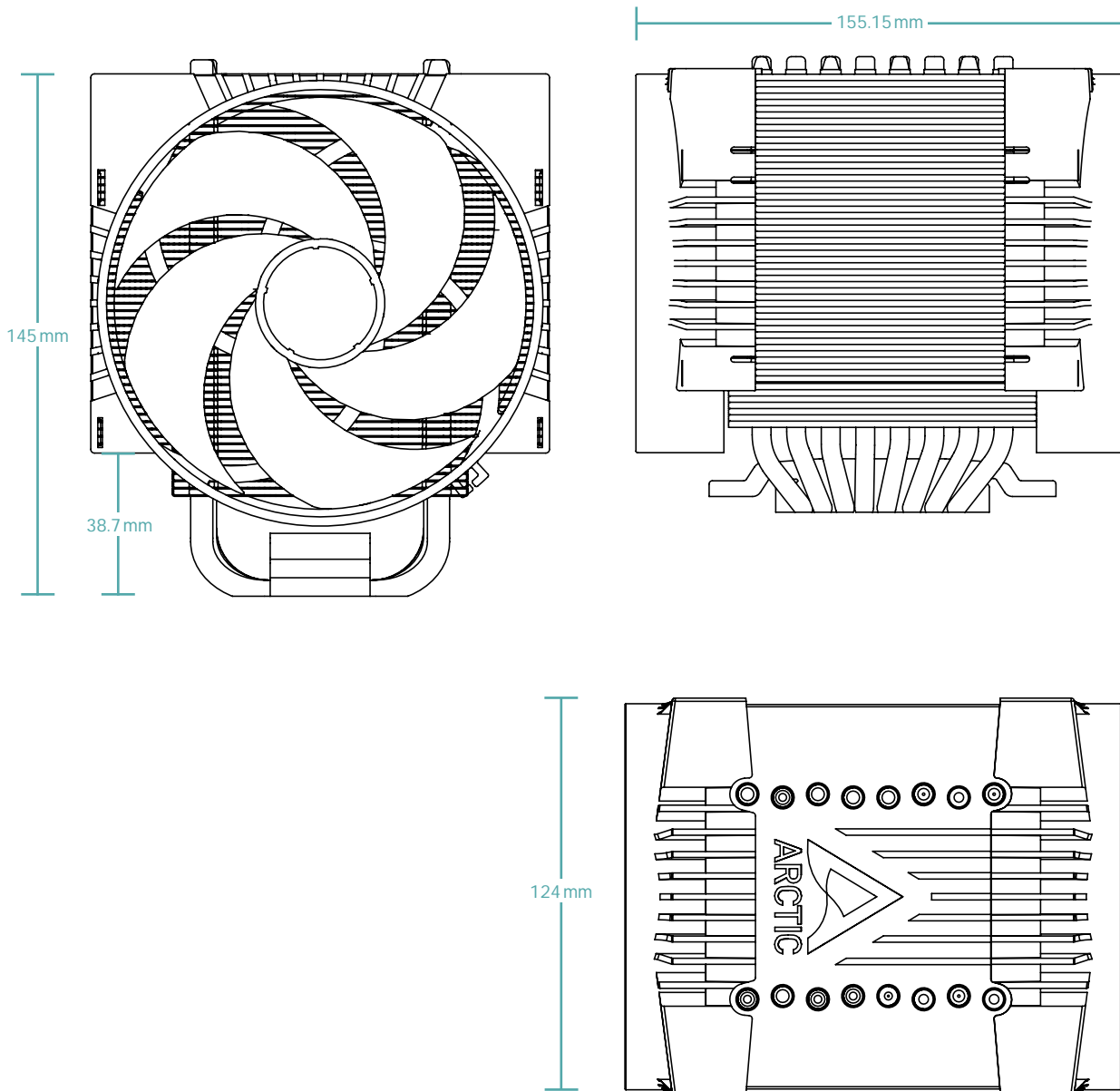
Fan	2x 120mm PWM Fans
Fan Speed	400–2300 rpm PWM Controlled
Connector	4-Pin Connector 
Cable Length	200 mm
Bearing	Dual Ball Bearing
Noise Level	40 dBA
Current Voltage	0.12 A 12 V DC
Startup Voltage	8 V DC

Shipping Information

Box Dimension	211 (L) x 160 (W) x 141 (H) mm
Gross Weight	1548 g
SKU	ACFRE00133A
EAN	4895213704113
UPC	840033401920

Freezer 4U-M

Multicompatible 4U Single Tower CPU Cooler



All materials are compatible with RoHS requirements

MORE INFORMATION



MANUALS

