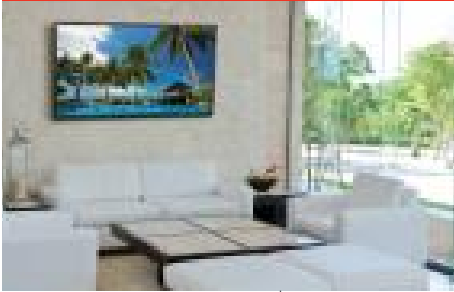


ST670(P)



	Mounting Pattern		Max Load
	895 x 450mm (35.25" x 17.72")		250lb (113kg)

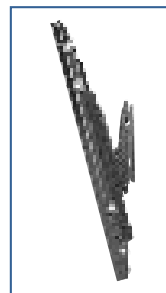
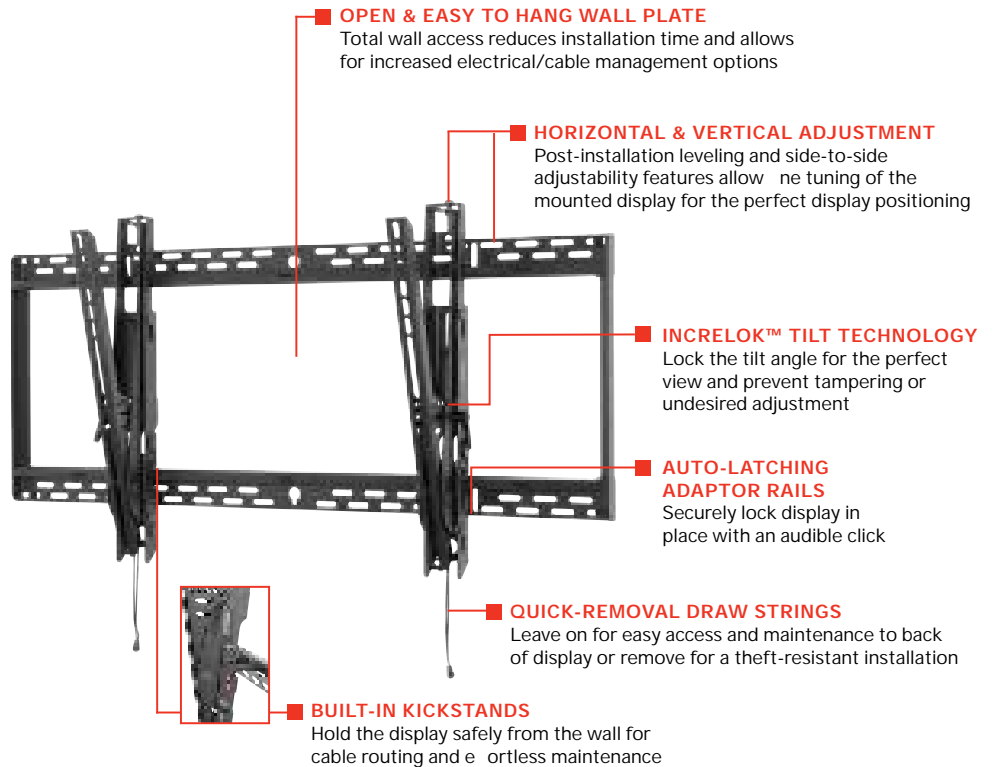
SMARTMOUNT.

Universal Tilt Wall Mount

FOR 46" TO 90" DISPLAYS*

Peerless-AV's SmartMount® Universal Tilt Wall Mount delivers an ultra-slim profile designed to hold large displays up to 250lb. Installation and maintenance are made easy with the ST670's robust feature set. Auto-latching adaptor rails automatically secure the display without the use of a tool. The mount's built-in kickstand holds the display safely from the wall during cable routing, while the open wall plate allows for increased electrical and cable management options. Horizontal and vertical display adjustment allow for quick re-tuning of the mounted display.

- Universal mounts displays with mounting patterns up to 895 x 450mm (35.25" W x 17.72" H)
- Adjustable up to 15° of forward tilt and -5° of backward tilt for the optimal viewing angle
- Optional IncreLok™ feature offers fixed tilt angles of -5°, 0°, 5°, 10°, 15°
- Easy-Grip™ ratcheting handle locks the display into place
- Easy hang wall plate allows a bolt to be pre-installed to ease wall plate installation
- Lateral display adjustment up to 11.25" (286mm)
- 1" of post-installation vertical adjustment provides flexibility in the installation
- Includes fastener pack with all necessary mounting and display attachment hardware
- For mounts requiring theft resistant hardware, installed with security tool (included), please purchase ST670
- For mounts requiring standard hardware, installed with a Philips screwdriver, please purchase ST670P



+15°/-5° of tilt for versatile viewing angles.



Comes in color packaging with included installation hardware and easy to follow instructions.



Please visit peerless-av.com/en-us/patents for patent information.

*This display size range is simply a guideline for product selection. Displays larger than the screen size range may still be compatible as long as they fall within the VESA® pattern and max weight of the Peerless-AV® product.

ST670P	SmartMount® Universal Tilt Wall Mount for 46" to 90" Displays - Standard Models
ST670	SmartMount® Universal Tilt Wall Mount for 46" to 90" Displays - Security Models

Product Specifications

	DIMENSIONS (W x H x D)	PRODUCT WEIGHT	LOAD CAPACITY	FINISH	AVAILABLE COLORS
ST670(P)	39.40" x 19.48" x 3.00"-6.63" (1001 x 495 x 76-168mm)	16.13lb (7.3kg)	250lb (113kg)	Scratch Resistant Fused Epoxy	Semi-Gloss Black

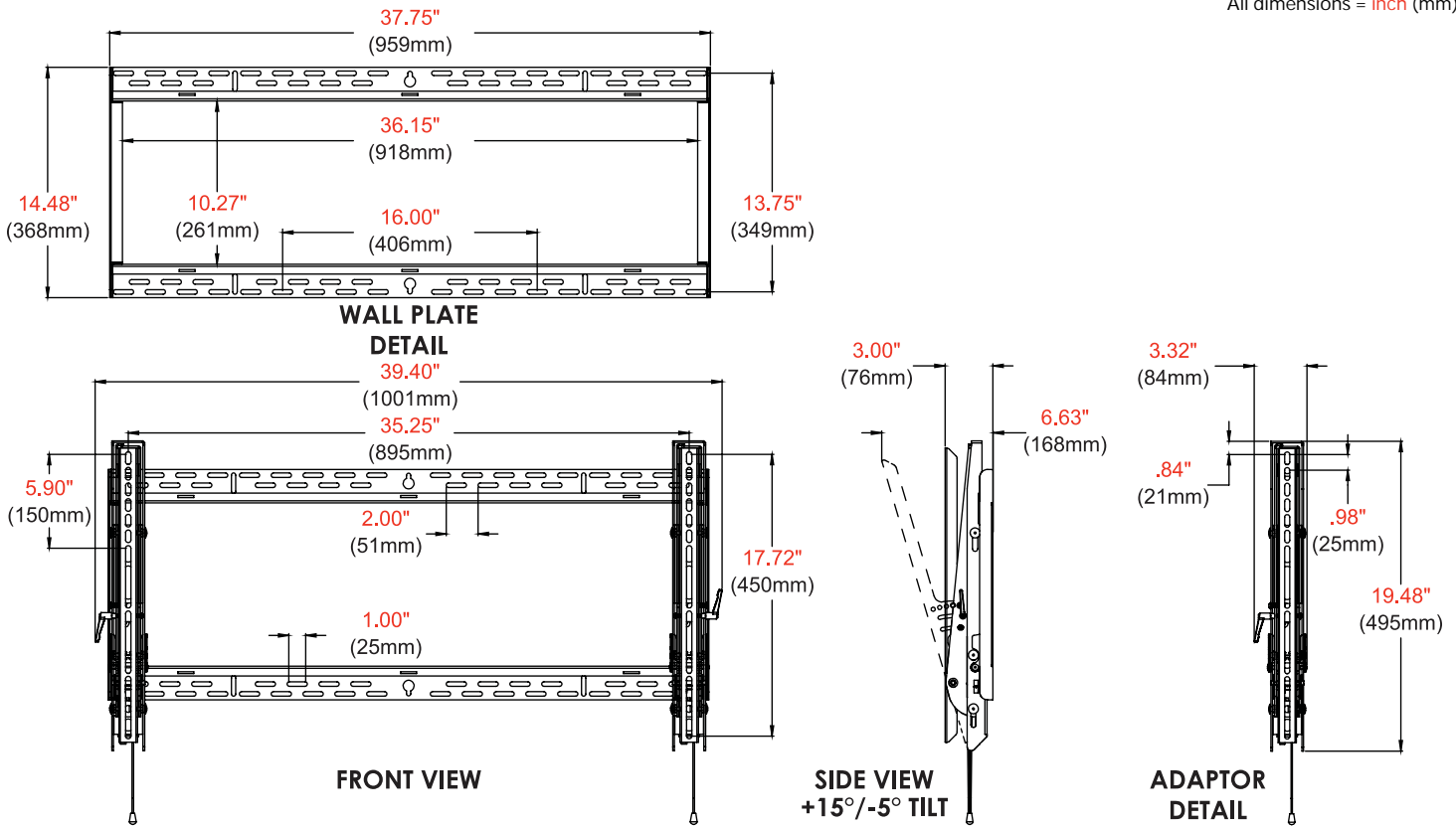
Package Specifications

	PACKAGE SIZE (W x H x D)	PACKAGE SHIP WEIGHT	PACKAGE UPC CODE	PACKAGE CONTENTS	UNITS IN PACKAGE
ST670(P)	38.80" X 4.30" X 15.20" (985 X 110 X 385mm)	19.13lb (8.68kg)	ST670: 735029242277 ST670P: 735029242291	Wall Mount, Wall and Display Installation Hardware, Installation Instructions	1

Accessories

- ACC615: 6-pack Metal Stud Fastener Kit
- ACC309: Video Conference Shelf
- ACC-UCM: Universal AV Component Mount
- ESHV models: AV Wall Shelves
- IBA4-W: Easy Mount Recessed Low Voltage Cable Plate

All dimensions = inch (mm)



Architect Specifications

The SmartMount® Universal Tilt Wall Mount shall be a Peerless-AV model ST670(P) and shall be located where indicated on the plans. Assembly and installation shall be done according to instructions provided by the manufacturer.

Visit peerless-av.com to see the complete line of AV solutions from Peerless-AV, including outdoor displays, kiosks, digital audio, display mounts, projector mounts, carts/stands, and a full assortment of accessories.

Peerless-AV
2300 White Oak Circle
Aurora, IL 60502 USA
(800) 865-2112
(630) 375-5100
Fax: (800) 359-6500

Peerless-AV EMEA
Unit 3 Watford Interchange
Colonial Way, Watford
Herts, WD24 4WP
United Kingdom
+44 (0) 1923 200100
Fax: +44 (0) 1923 200101

Peerless-AV Latin America
Av. de las Industrias 413
Parque Industrial Escobedo
General Escobedo, N.L.,
México, 66062
+52 (81) 8384-8300
Fax: +52 (81) 8384-8360

