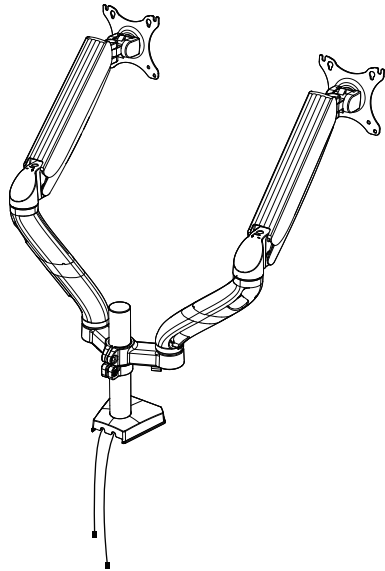


AOC

AD110DX

AD110DX/86

Ergonomic Monitor Arm

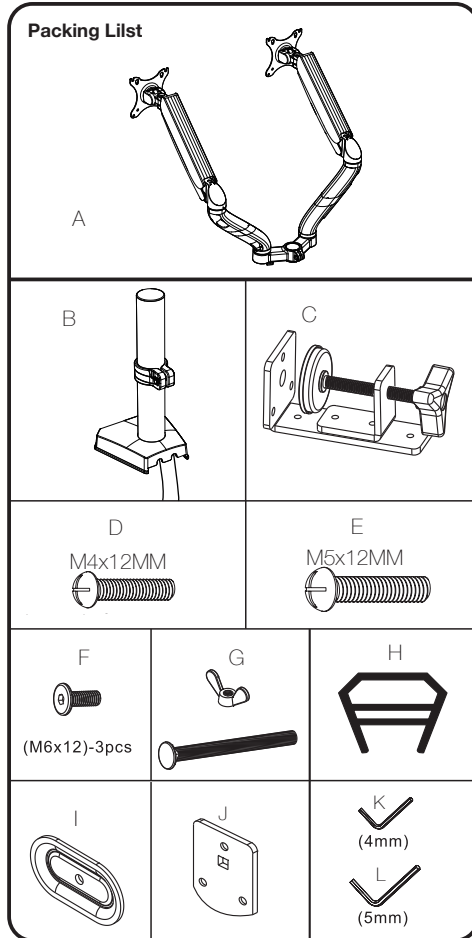


Monitor Size: 13"~32" Weight Capacity: 2~9 kg
VESA Size: 75x75 mm, 100x100 mm

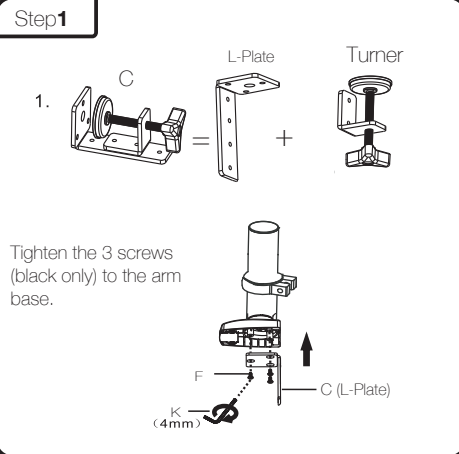
User Manual

- A. Clamp-Mounting
- B. Hole-Mounting
- C. Cable-Management
- D. VESA Mount Installation
- E. Monitor Angle Adjustment

Packing List

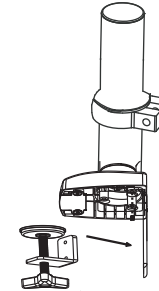


A. Clamp-Mounting Procedure

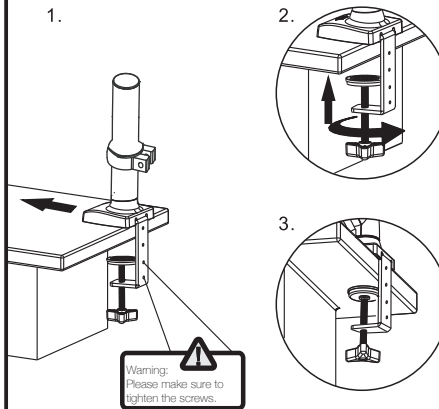


2.

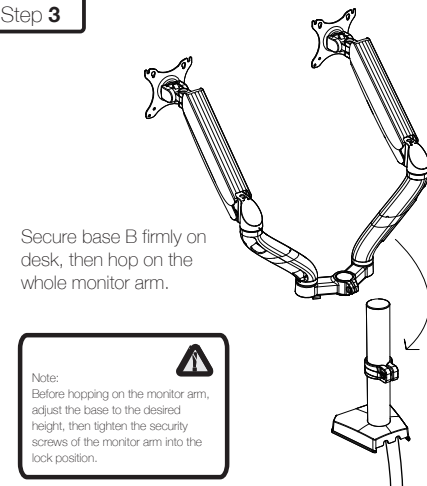
Once L-Shape is secured, hook it on the base-tuner.



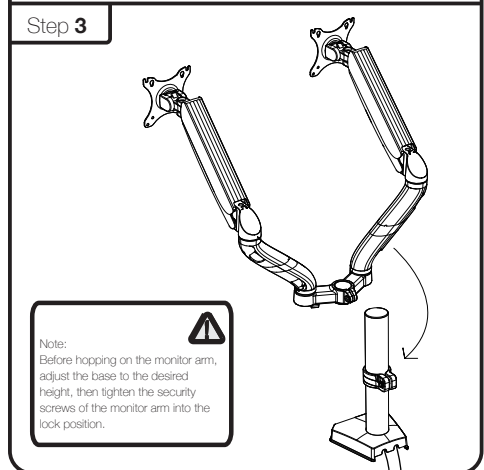
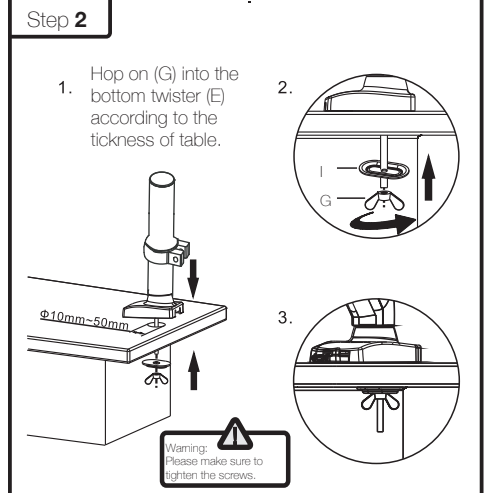
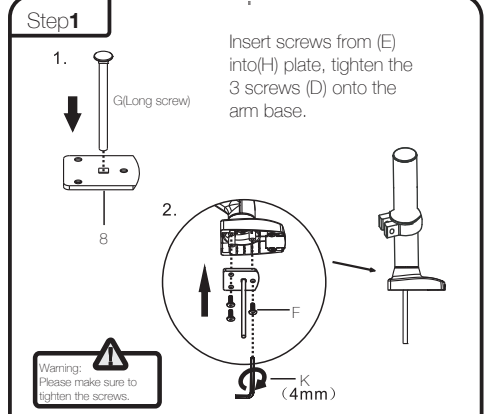
Step 2



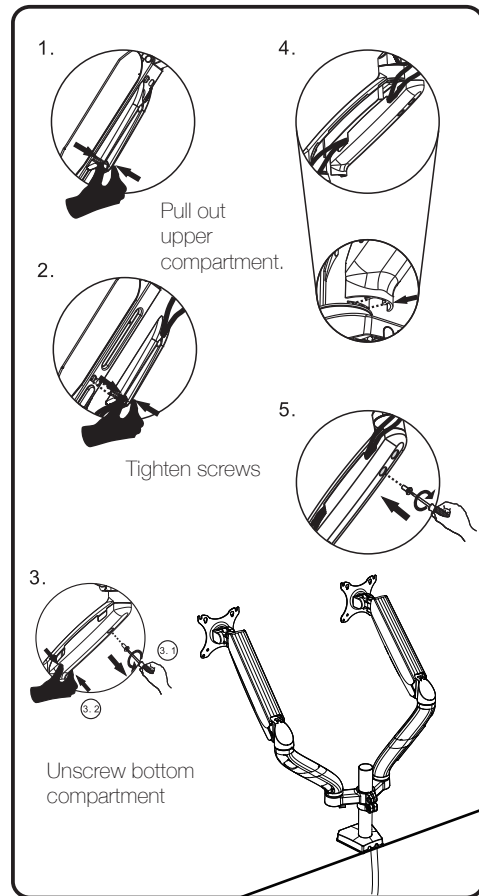
Step 3



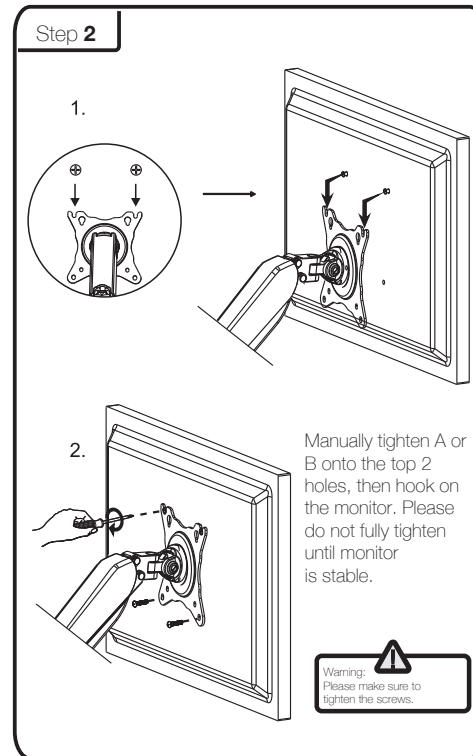
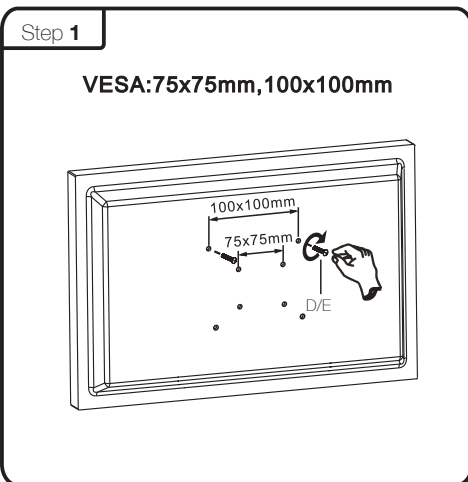
B. Hole-Mounting Procedure



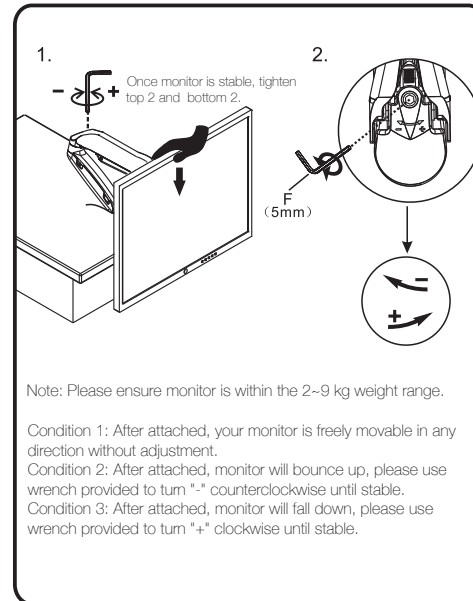
C. Cable Management



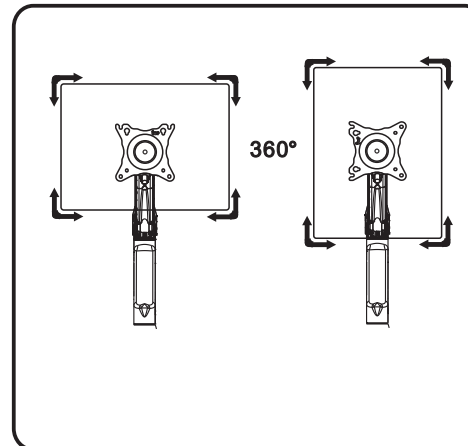
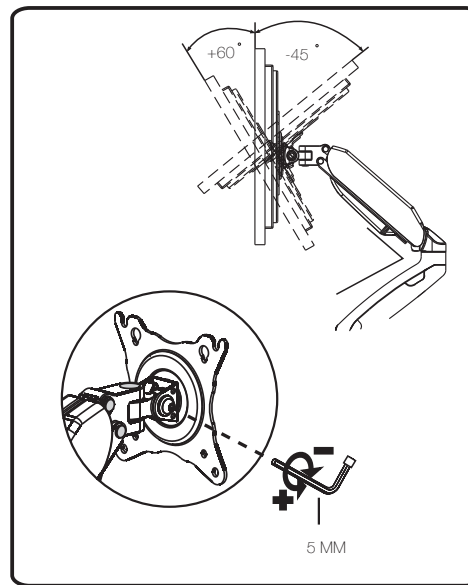
D. VESA Mount Installation



Monitor Weight Adjustment



E. Adjust Monitor Angles



Envision Peripherals Inc.
490 North McCarthy Blvd. Suite #120 Milpitas, CA
95035

AOC International (Europe) B.V.
Prins Bernhardplein 200, 1097 JB Amsterdam, The
Netherlands

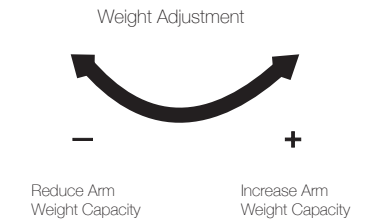
www.aoc.com

Made in China

AFTER INSTALLATION, ADJUST
GAS-SPRING POWER



1. Ensure monitor is tightened to monitor arm
2. Ensure monitor is not over-weight (2-9kg)



Warning



Q&A

- 1) Why monitor arm is hard to press down?
It is normal to feel pressure while pressing down without a monitor. Once the monitor is mounted, the weight of itself helps to reduce the air-pressure, then the arm will be easy to press down.
- 2) Why my monitor cannot move lower or higher freely?
Please adjust the "+" or "-" for best experience. Please do check your monitor weight, if > 9kg, arm will not hold.
- 3) Why my Type-C does not charge?
Each Type-C cable has different materials and please reverse the cable to try again.