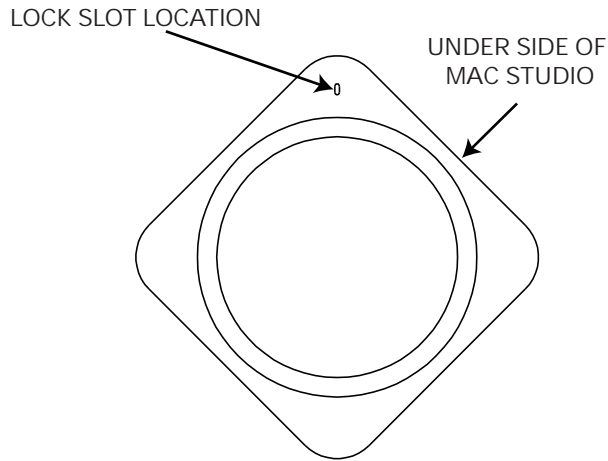
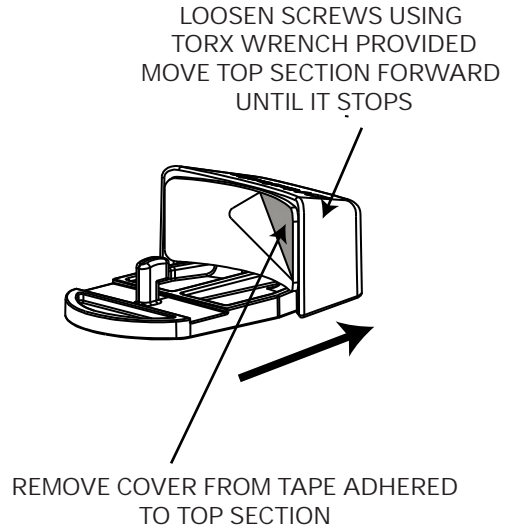
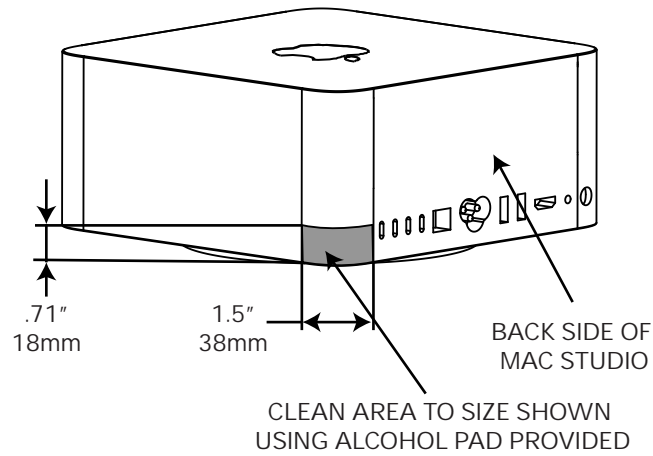


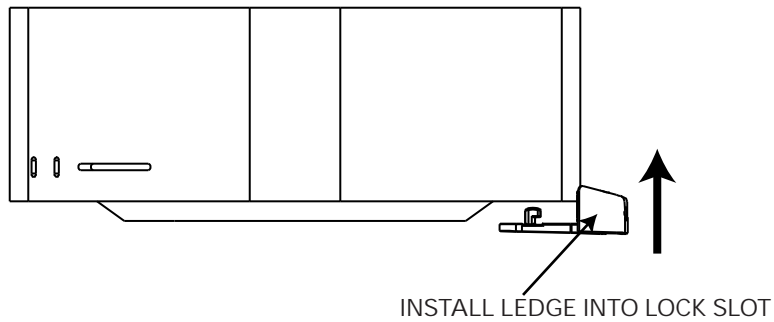
Bottom View Of Mac Studio 1



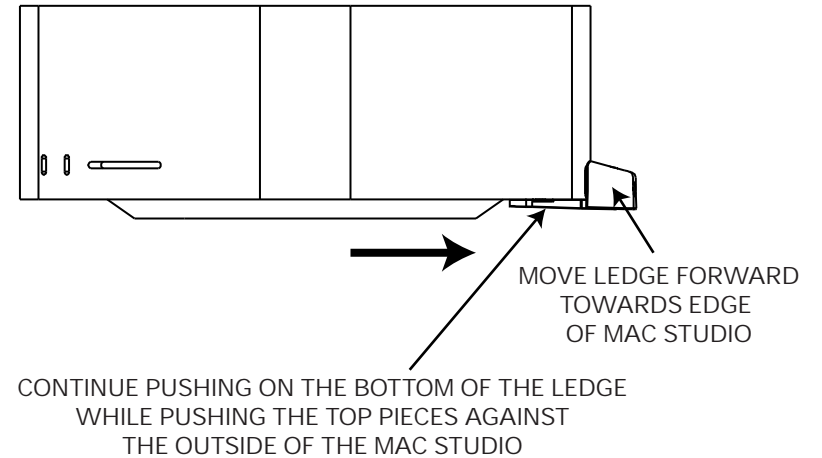
2



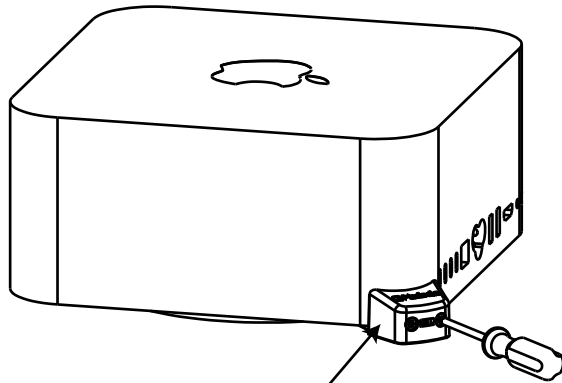
3



4

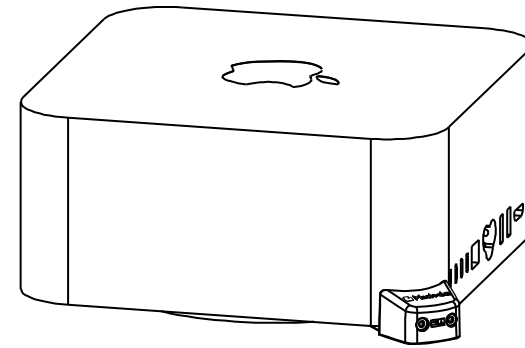


5

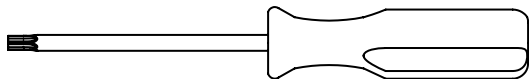


TIGHTEN SCREWS EVENLY UNTIL TIGHT  
USING TORX WRENCH PROVIDED

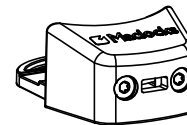
6



IN THE BOX



Torx Driver



Mac Studio Ledge



Alcohol Wipes