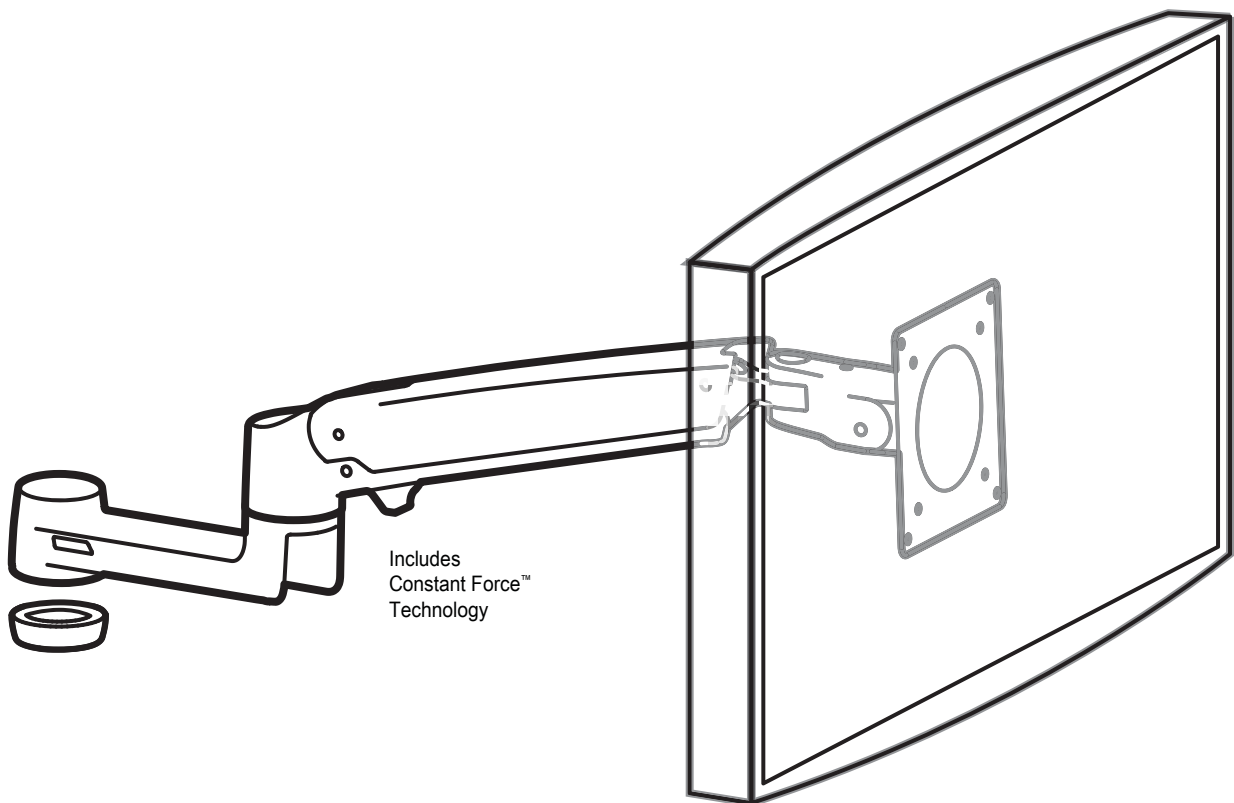


ergotron®

LX LCD Accessory Arm



CAUTION! The LX Arm Accessory is designed to be used with the 45-295 LX Desk Mount LCD Arm, Tall Pole and the 45-509 LX Dual Stacking Arm, Tall pole products. Using the LX Arm Accessory with any other product may create an unstable situation resulting in equipment damage and/or personal injury.

English

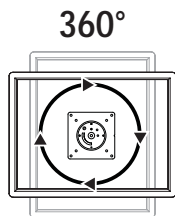
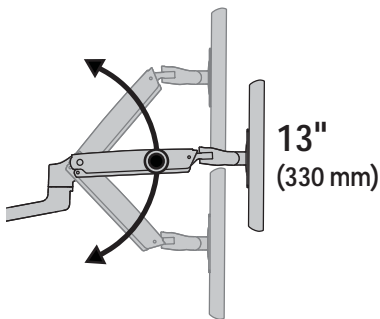
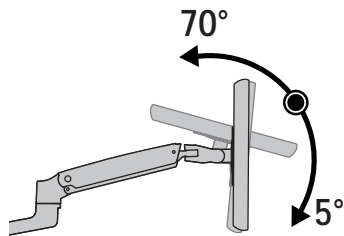
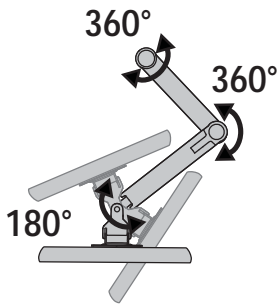
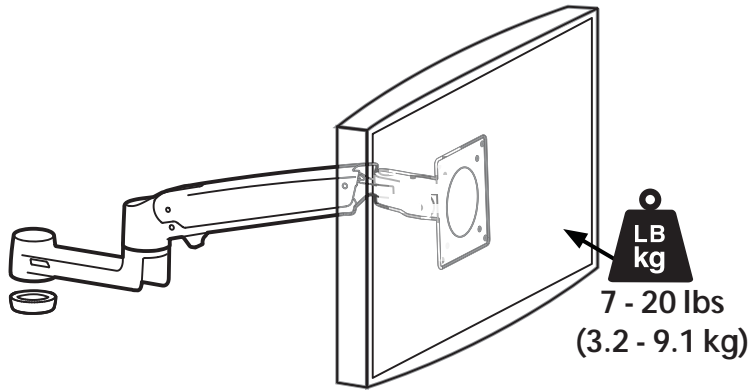


For the latest User Installation Guide please visit: www.ergotron.com

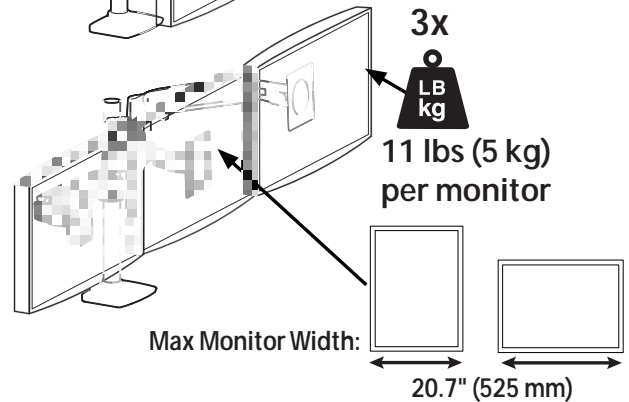
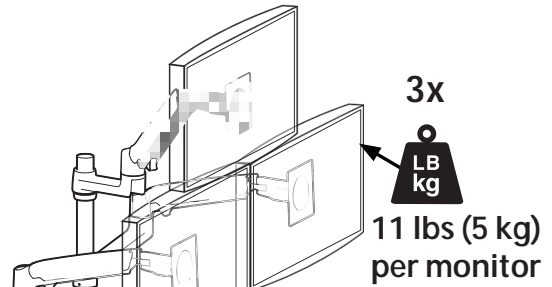
English, Español, Français, Deutsch, Nederlands, Italiano, Svenska, 日本語, 汉语

www.ergotron.com | USA: 1-800-888-8458 | Europe: +31 (0)33-45 45 600 | China: 400-120-3051 | Japan: japansupport@ergotron.com

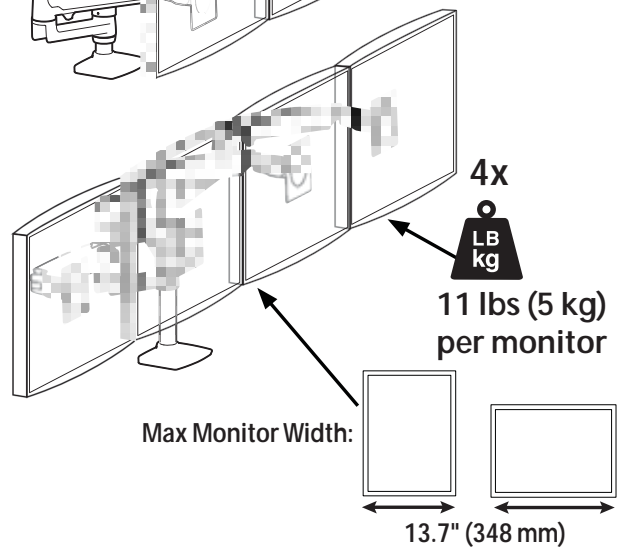
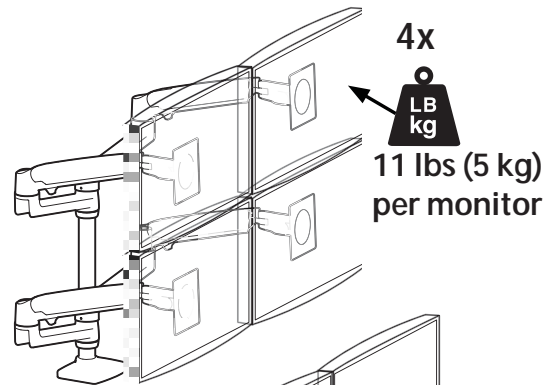
Features & Specifications



Can have up to 4 arms on a pole when used with the 45-509 LX Dual Stacking Arm, Tall pole
See updated maximum weight capacities:


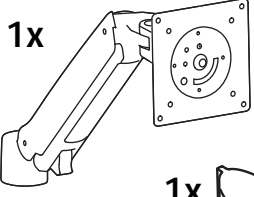


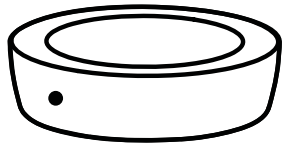

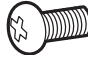

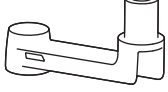

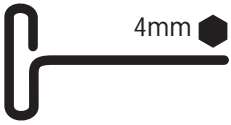

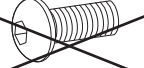


Maximum monitor width will decrease depending on arm configuration.

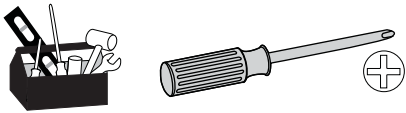


Maximum monitor width will decrease depending on arm configuration.

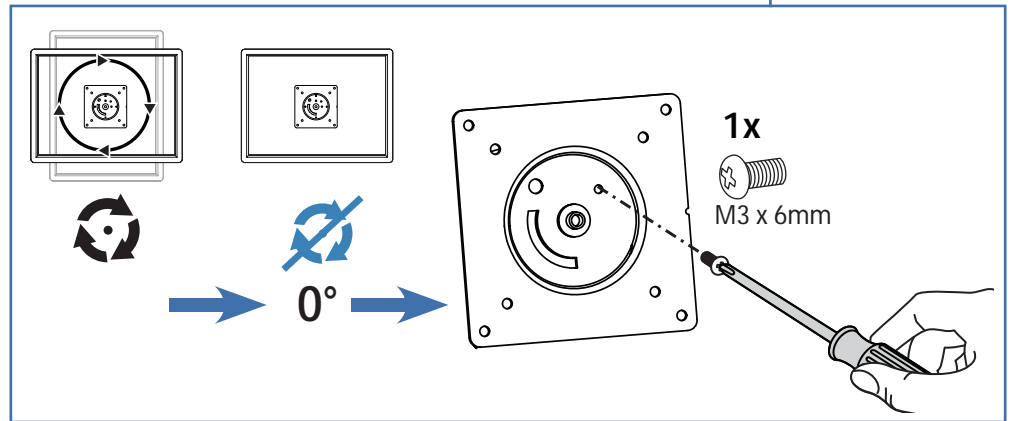
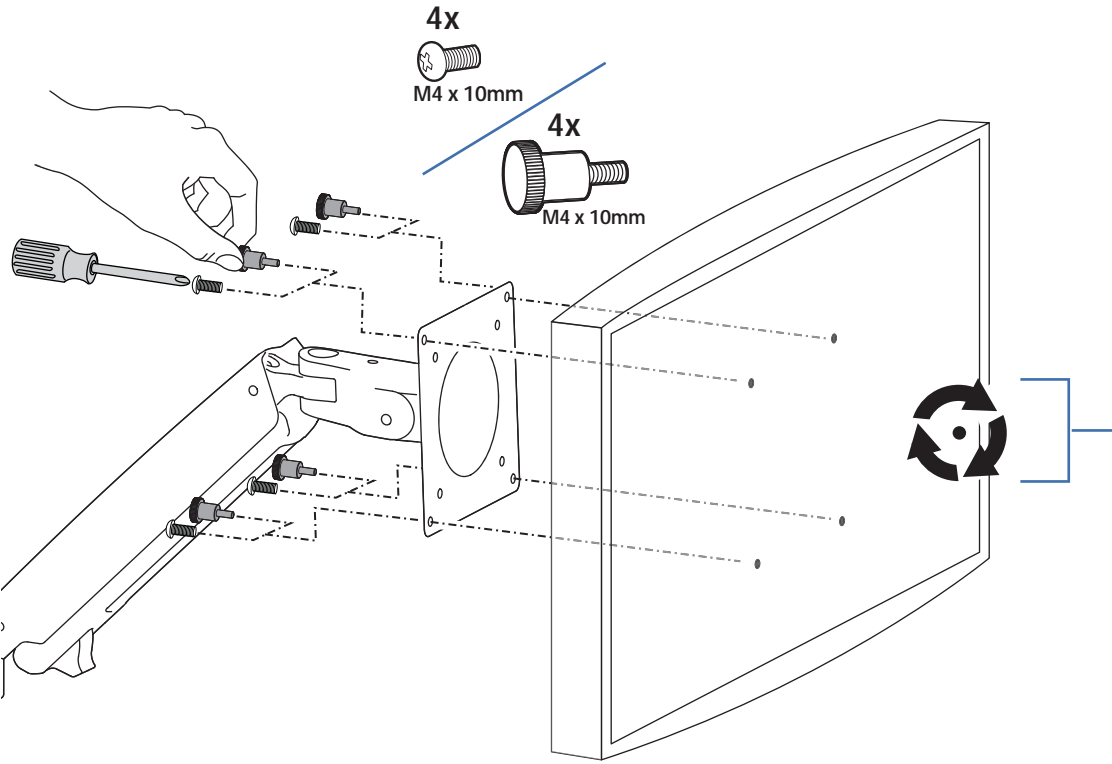
Components

	A	B	C	D
1	1x 	1x  1x 	4x  M4 x 10mm	1x 
2	1x  2.5mm		4x  M4 x 10mm	
3	2x 	1x 	1x  M3 x 6mm	1x  4mm
4	1x  2.5mm	4x  10 - 24 x 1/2"		

Tools Needed

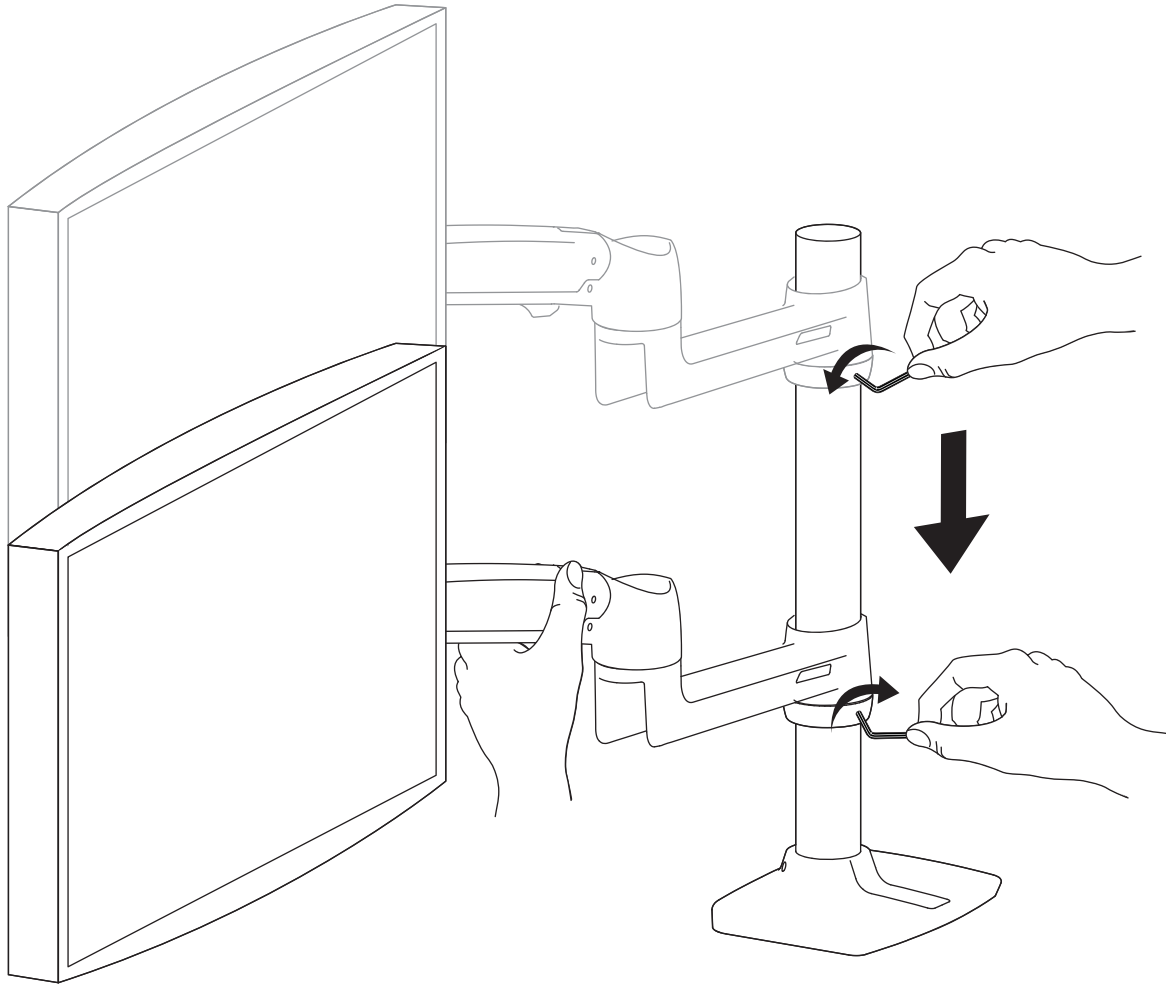


1



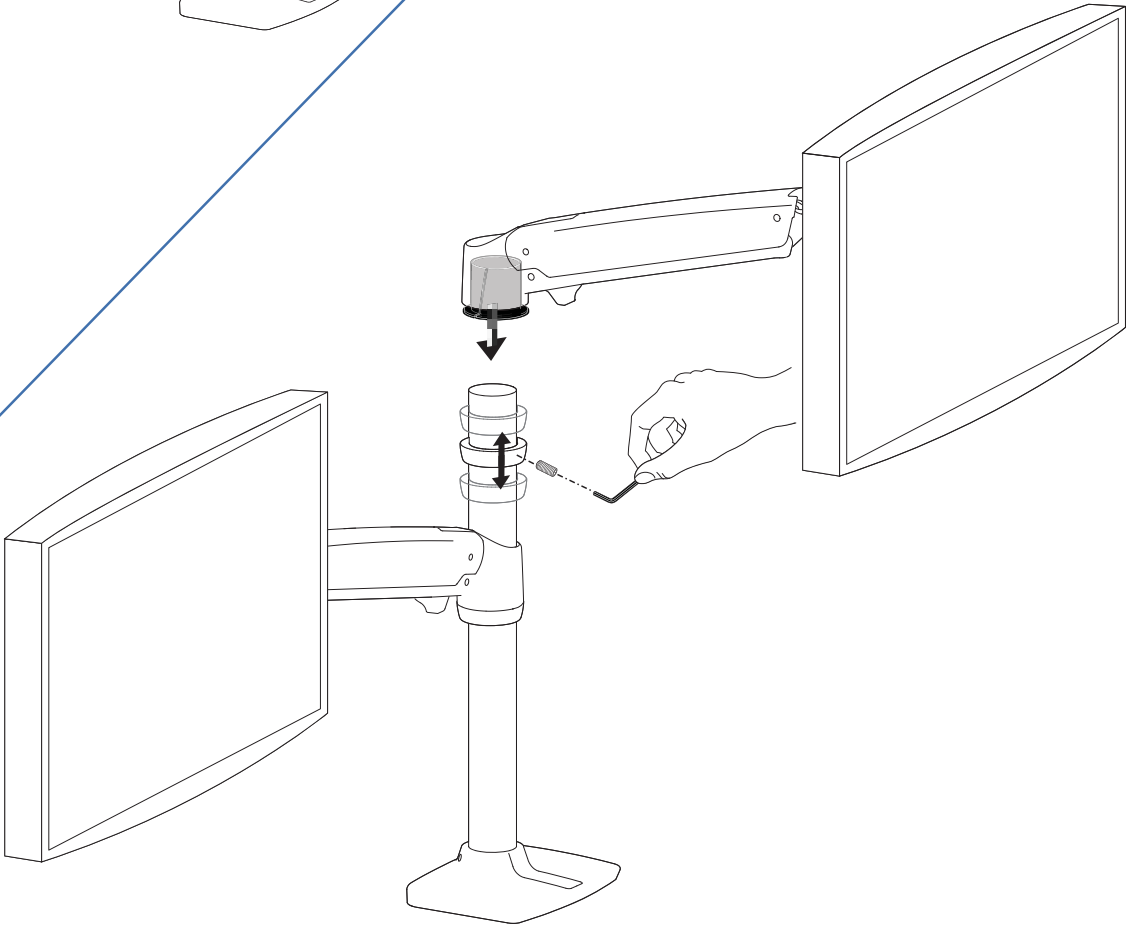
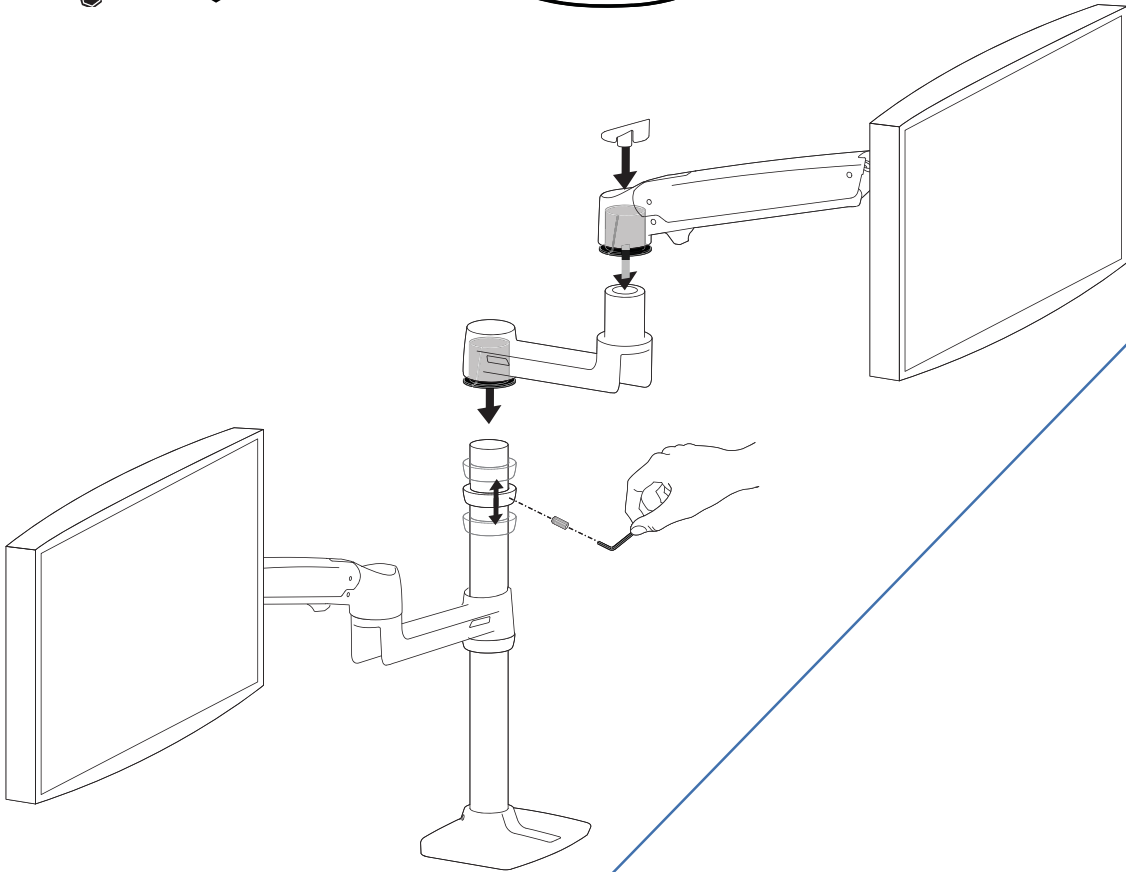
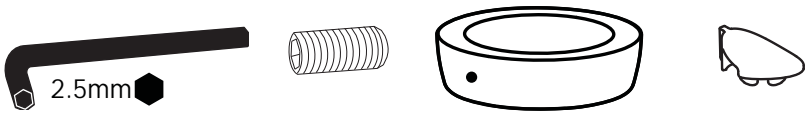
EN **WARNING!** Stored Energy Hazard: The Riser mechanism is under tension and will move up rapidly, on its own, as soon as attached equipment is removed. For this reason, **DO NOT** remove equipment unless the Riser has been moved to the highest position! Failure to follow this instruction may result in serious personal injury and/or equipment damage!

2



CAUTION! The LX Arm Accessory is designed to be used only with the 45-295 LX Desk Mount LCD Arm, Tall Pole product, with a total of two (2) arms per pole. Using the LX Arm Accessory with any other product or in quantities greater than two (2) arms per pole may create an unstable situation resulting in equipment damage and/or personal injury.

3



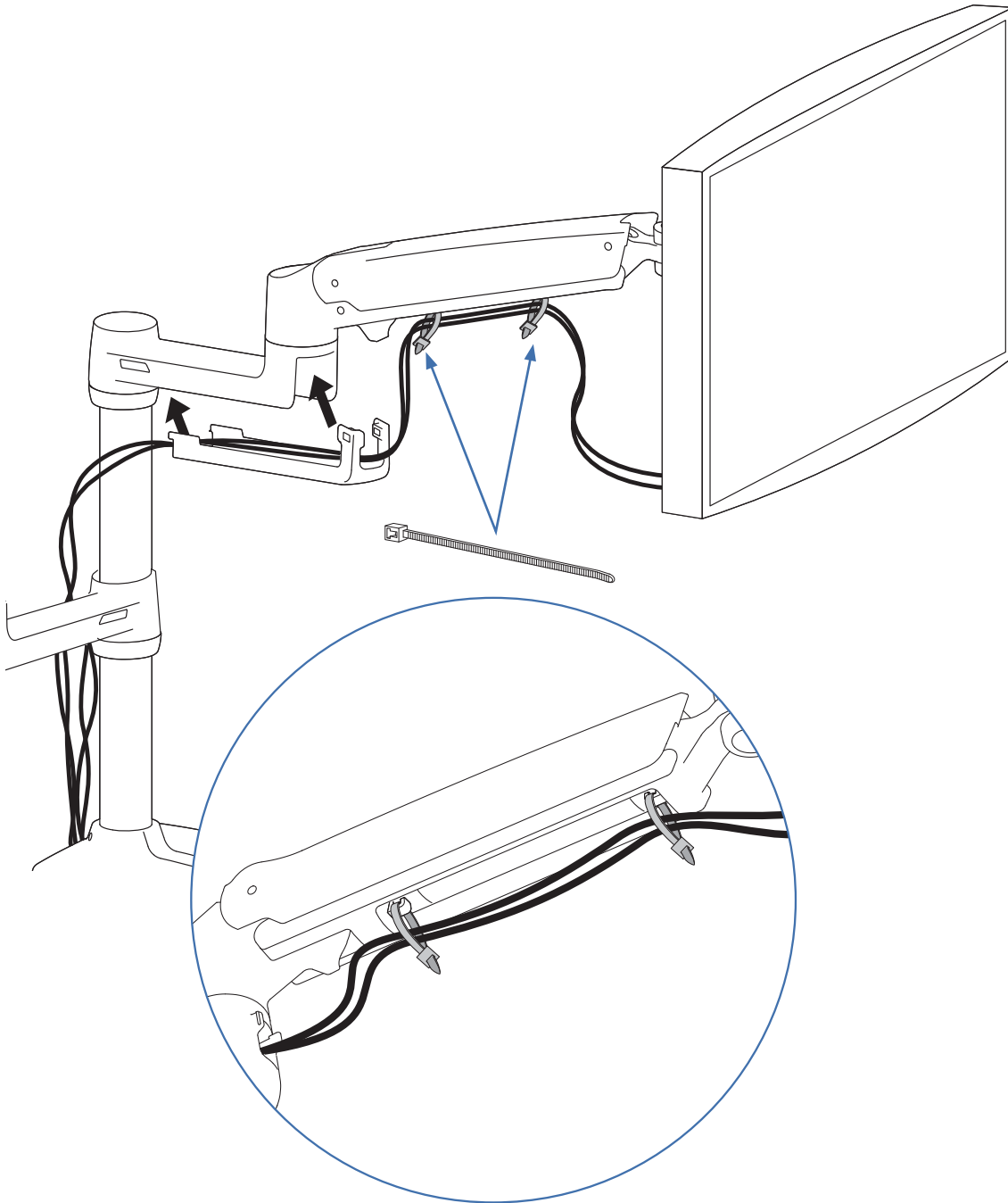
4



NOTE: Leave enough slack in cable to allow full range of motion.



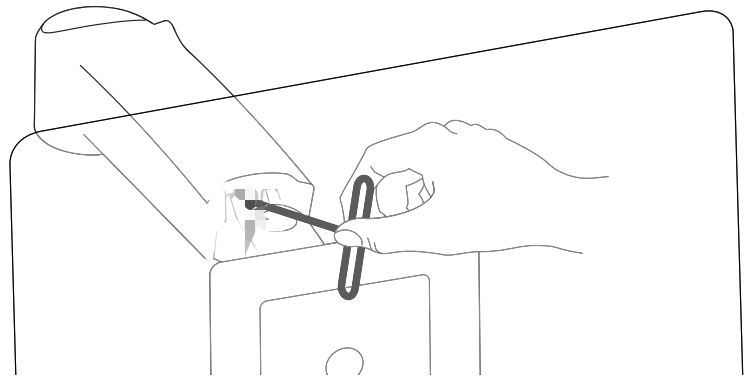
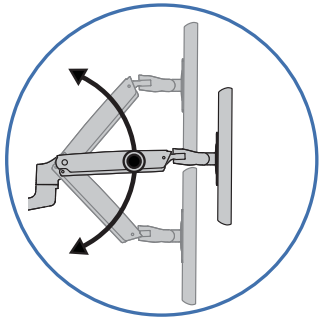
Caution: To avoid the potential to pinch cables it is important to follow the cable routing instructions in this manual. Failure to follow these instructions may result in equipment damage or personal injury.



5 Adjustment Step

Important! You will need to adjust this product after installation is complete. Make sure all your equipment is properly installed on the product before attempting adjustments. This product should move smoothly and easily through the full range of motion and stay where you set it. If movements are too easy or difficult or if product does not stay in desired positions, follow the adjustment instructions to create smooth and easy movements. Depending on your product and the adjustment, it may take many turns to notice a difference. Any time equipment is added or removed from this product, resulting in a change in the weight of the mounted load, you should repeat these adjustment steps to ensure safe and optimum operation.

a Lift - Up and down



Increase Lift Strength

If the mounted weight is too heavy or this product does not stay up when raised, then you'll need to increase Lift Strength:



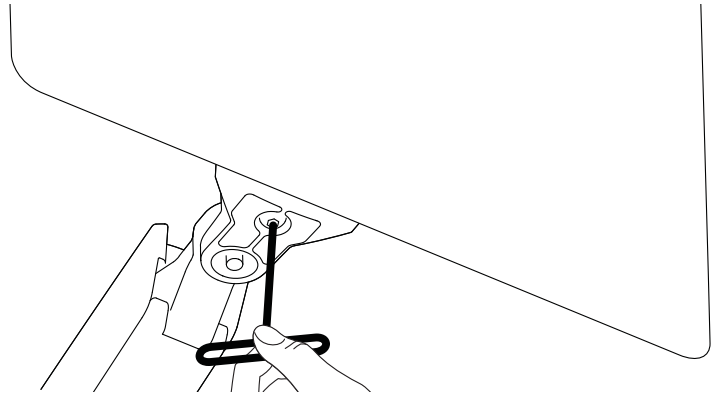
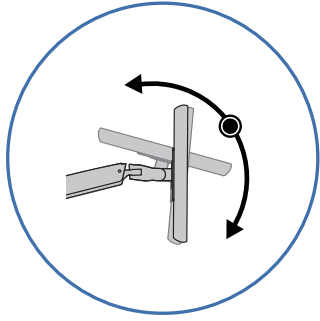
Decrease Lift Strength

If the mounted weight is too light or this product does not stay down when lowered, then you'll need to decrease Lift Strength:

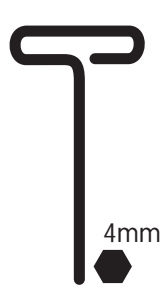


CAUTION: DO NOT overtighten fasteners. Overtightening may cause damage to your equipment.

b Tilt – Forward and Backward



CAUTION: DO NOT remove screw. Removing screw may cause damage to equipment.

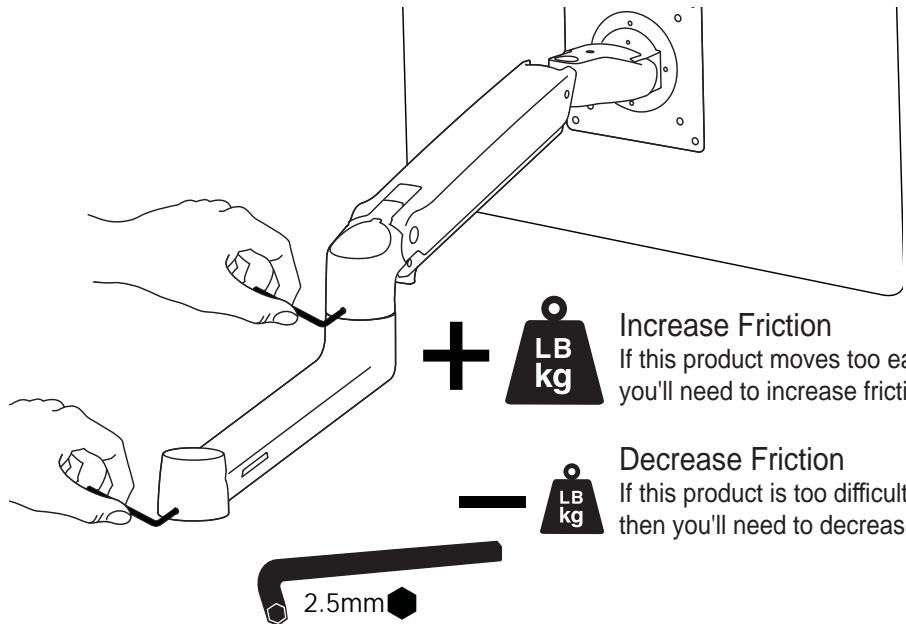
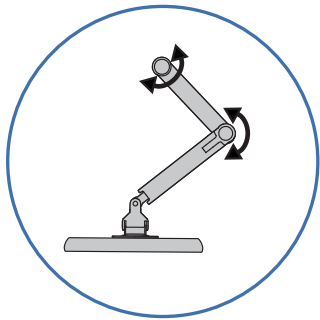


Increase Friction
If this product moves too easily, then you'll need to increase friction:



Decrease Friction
If this product is too difficult to move, then you'll need to decrease friction:

c Arm Swing – Side-to-side



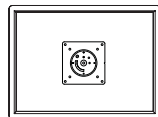
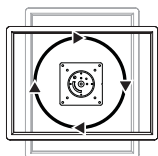
Increase Friction
If this product moves too easily, then you'll need to increase friction:



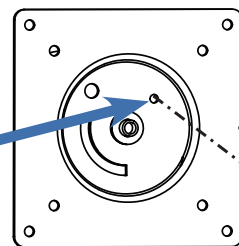
Decrease Friction
If this product is too difficult to move, then you'll need to decrease friction:



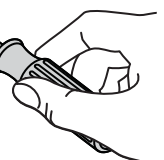
d Rotate – Portrait/Landscape

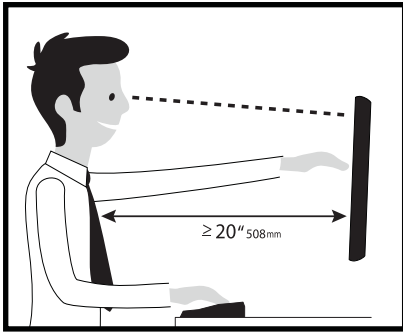


0°



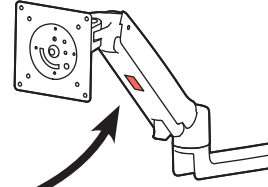
M3 x 6mm





Learn more about ergonomic computer use at: www.ergotron.com/ergonomics

NOTE: When contacting customer service, reference the serial number.



ergotron®

For Warranty visit: www.ergotron.com/warranty

For Service visit: www.ergotron.com

For local customer care phone numbers visit: <http://contact.ergotron.com>

www.ergotron.com | USA: 1-800-888-8458 | Europe: +31 (0)33-45 45 600 | China: 400-120-3051 | Japan: japansupport@ergotron.com

© 2015 Ergotron, Inc. All rights reserved.

While Ergotron, Inc. makes every effort to provide accurate and complete information on the installation and use of its products, it will not be held liable for any editorial errors or omissions (including those made in the process of translation from English to another language), or for incidental, special or consequential damages of any nature resulting from furnishing this instruction and performance of equipment in connection with this instruction. Ergotron, Inc. reserves the right to make changes in the product design and/or product documentation without notification to its users. For the most current product information, or to know if this document is available in languages other than those herein, please contact Ergotron. No part of this publication may be reproduced, stored in a retrieval system, or transmitted in any form or by any means, electronic, mechanical, photocopying, recording or otherwise without the prior written consent of Ergotron, Inc., 1181 Trapp Road, Eagan, Minnesota, 55121, USA Patents Pending and Patented U.S. & Foreign. Ergotron is a registered trademark of Ergotron, Inc.