



**FOLDS
FLAT TO
THE WALL**

BT8226

DOUBLE ARM FLAT SCREEN WALL MOUNT WITH TILT & SWIVEL



Designed to mount medium to large sized screens, this universal double arm wall mount features an easy to tilt interface and three swivel points, for a quick, smooth repositioning of the screen - whether folded flat to the wall (at a depth of just 50mm) or at maximum extension. Cover plates and integrated cable management help hide all fixings for a neat and tidy mounting solution, ideal for both commercial and home installations.

SPECIFICATION

Recommended screen size	32" up to 65"
Max load	35kg
VESA® compatibility	up to 600 x 400
Tilt	+14°/-3°
Swivel	180° at wall & interface, 360° at central pivot
Distance from wall	Min: 50mm - Max: 574mm
Colour	Black

FEATURES

- Easy tilt and swivel adjustments
- Slim-line design allows close to the wall installation when folded flat
- Features three swivel points; ideal for corner mounting
- Tool-less tilt with option to lock in position
- Screen levelling of up to 3° in either direction
- Integrated cable management
- Attractive cover plates included to hide fixings
- Lateral adjustment of screen once mounted
- Keyhole mounting and drilling template for a quick and easy installation
- Safety screws help prevent unauthorised removal of screens
- Simple 'hook-on' installation with all mounting hardware included



65"
165cm

VESA
600
x
400

35KG

3°
14°

180°

↔

↕



Cover plates hide all fixings on mount for an attractive install



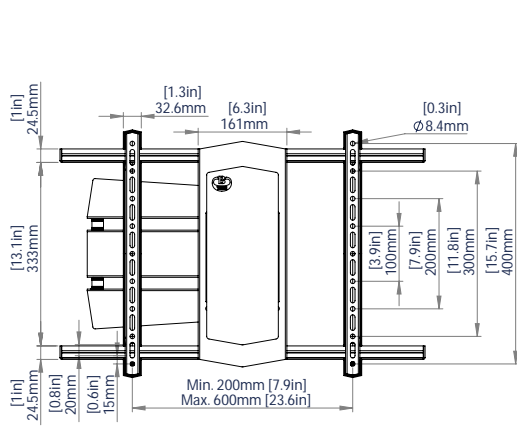
Lateral adjustment of screen for optimal screen positioning



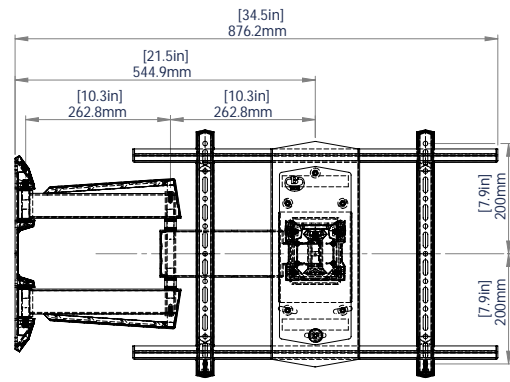
Integrated cable management



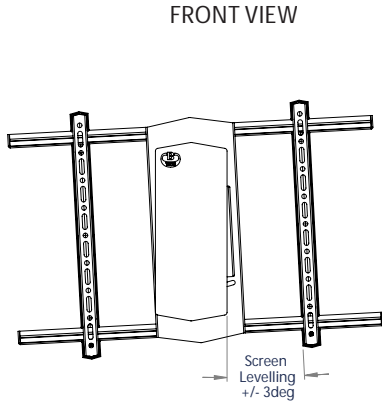
Height adjustment points enable easy levelling of the mounted screen



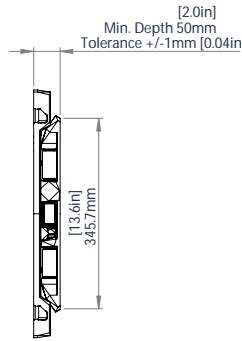
FRONT VIEW



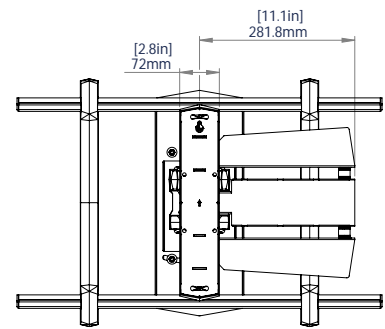
FRONT VIEW WITH ARM EXTENDED TO SIDE



FRONT VIEW



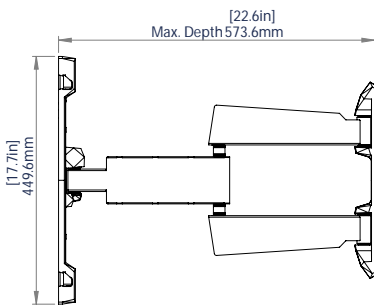
SIDE VIEW - FLAT TO WALL



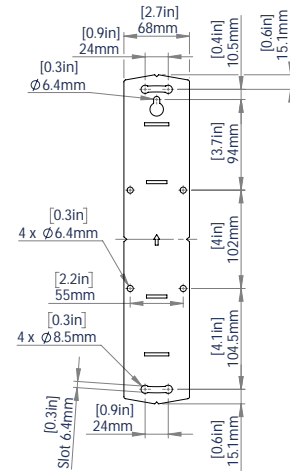
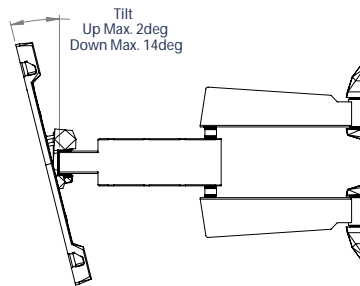
REAR VIEW



TOP VIEW - FLAT TO WALL



SIDE VIEW - MAXIMUM EXTENSION



WALL PLATE

PACKING INFORMATION

COLOUR:	ORDER REF:	EAN CODE:	MASTER CARTON QTY:	MASTER CARTON WEIGHT:	MASTER CARTON CUBE:
Black	BT8226/B	5019318306006	1	11.1kg	0.051cbm

ACCESSORIES AND RELATED PRODUCTS



BTV914
Universal Soundbar Mount designed to mount a soundbar directly to your screen display



BT7515
Double Arm Flat Screen Wall Mount with Tilt and Swivel designed for screens up to 47"



BTV513
Flat Screen Wall Mount with Double Arm designed for screens up to 55"



BT8432
Flat Screen Wall Mount with Tilt designed for screens up to 80"

© 2022 B-Tech Mounts Limited. All rights reserved. This information is provided for informational purposes only. It is not intended to be used as a substitute for professional advice. B-Tech Mounts Limited is not responsible for any damage or loss resulting from the use of this information. For more information, please visit www.btechavmounts.com. SS-BT8226-V1.1-29112022