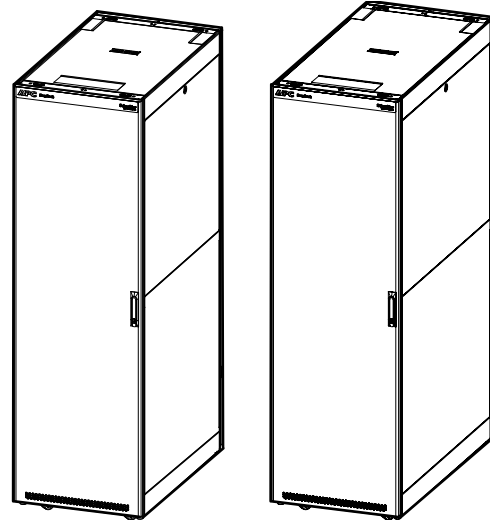




# Easy Rack ER6202FP1, ER6212FP1

## Guide for Receiving, Unpacking, and Assembly



© 2021 Schneider Electric. All rights reserved.

990-91531

09/2021

### IMPORTANT SAFETY INSTRUCTIONS

#### ⚠ CAUTION

##### HEAVY EQUIPMENT HAZARD

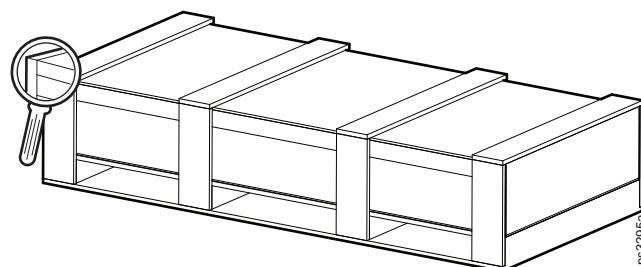
- Use at least two people when removing the packaged rack components from the pallet. Use a pallet jack or forklift to move the packaged rack while it is on its pallet.
- Wear appropriate personal protective equipment (PPE) and follow safe work practices.
- Do NOT attempt to move the assembled rack without assistance.
- Use caution when moving the assembled rack on its casters.
- Push the assembled rack from the front or back to move it.

**Failure to follow these instructions can result in injury or equipment damage.**

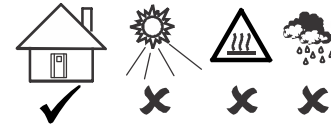
### Receiving

#### Inspect the exterior packaging

Before unpacking the shipment, verify that the box matches the bill of lading and carefully inspect the exterior of the shipment immediately upon receipt.



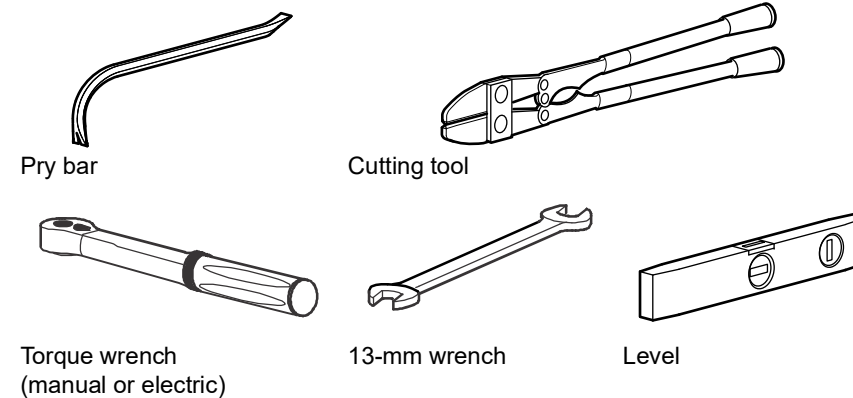
### Storage



#### NOTICE

Leaving the rack uncovered and exposed to the elements will cause damage and void the factory warranty.

### Tools Required (not provided)



### Moving the Packaged Easy Rack

Use a forklift or a pallet jack to move the packaged rack while on its pallet.



Consider the size and weight of the crated rack and packaging before moving it. Make sure that doorways and aisles will be able to accommodate the size of the pallet with its crate.

Item	Weight kg (lb)	Length (L) mm (in)	Width (W) mm (in)	Height (H) mm (in)
Crated Package (with pallet)				
ER6202FP1	139 (306.4)	2100 (82.7)	970 (38.2)	440 (17.3)
ER6212FP1	161.5 (356)	2100 (82.7)	1070 (42.1)	440 (17.3)
Box of Rack Parts				
ER6202FP1	109 (240.3)	2030 (79.9)	934 (36.7)	296 (11.6)
ER6212FP1	132.6 (292.3)	2030 (79.9)	1034 (40.7)	296 (11.6)

### Unpacking



The shipping materials are recyclable. Save them for later use, or dispose of them appropriately.

#### ⚠ CAUTION

##### HEAVY EQUIPMENT HAZARD

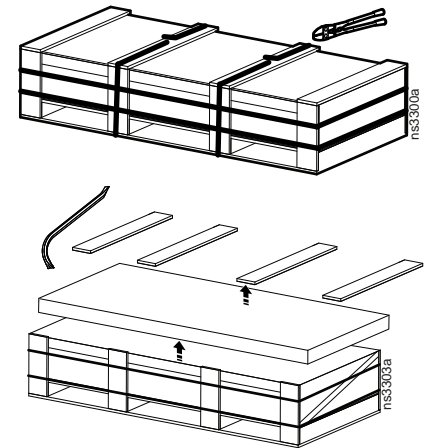
Use at least two people when unpacking, lifting, and assembling this equipment. Failure to follow these instructions can result in injury or equipment damage.

#### ⚠ CAUTION

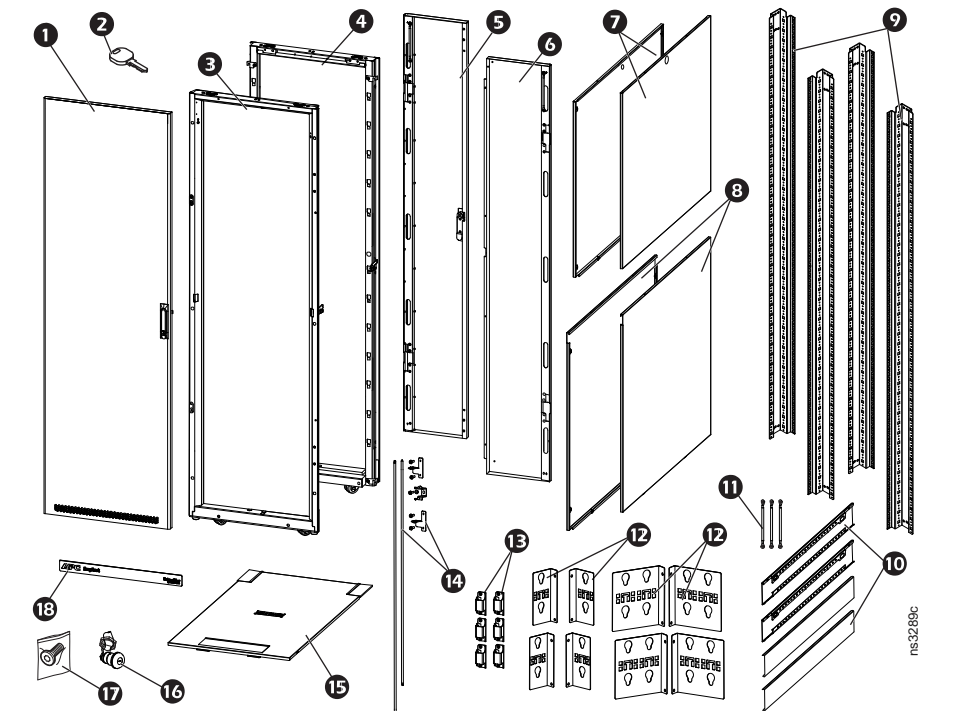
##### HEAVY EQUIPMENT HAZARD

To avoid injury or damage to the contents, **DO NOT** open the crate at the ends or sides. Only open the crate from the top. Failure to follow these instructions can result in injury or equipment damage.

1. Move the shipping pallet to a firm, level surface in an open area.
2. Cut the bands securing the crate.
3. Use a pry bar to remove the wood supports from the top of the crate.
4. Lift the lid of the box to access the Easy Rack components.
5. Open additional boxes carefully to prevent damage to the contents.

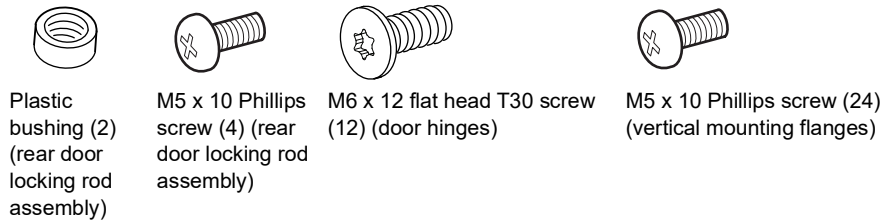
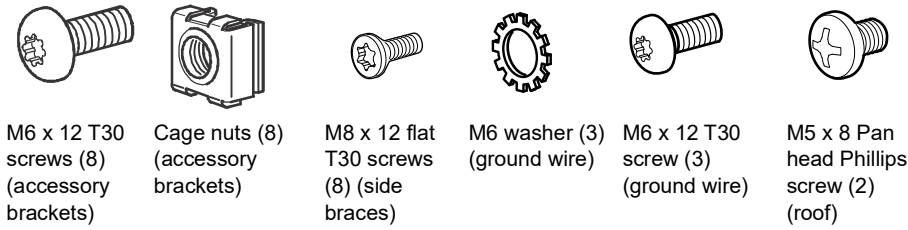


### Inventory

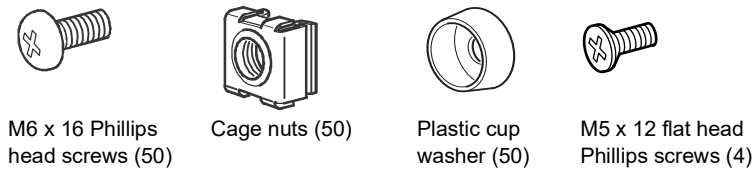


Item	Description	Qty	Item	Description	Qty
1	Front door (with locking handle)	1	10	Horizontal side braces	4
2	Key	2	11	Ground wire (attached to doors)	4
3	Front frame	1	12	Accessory mounting brackets (2 left, 2 right) Single: ER6202FP1 Double: ER6212FP1	2L 2R
4	Rear frame	1	13	Door hinges	6
5	Rear door, left (with locking handle)	1	14	Rear door locking rod assembly	1
6	Rear door, right	1	15	Roof	1
7	Top side panels	2	16	Top side panel lock	2
8	Bottom side panels	2	17	Hardware bag	1
9	Vertical mounting flanges	3	18	Logo Banner	1

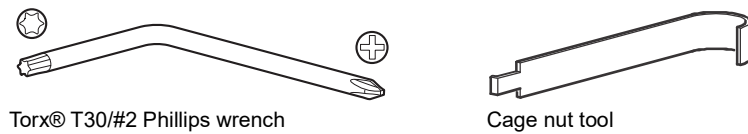
## Rack Assembly Hardware



## Equipment Installation Hardware



## Tools (provided)



## Assembly

### ⚠ CAUTION

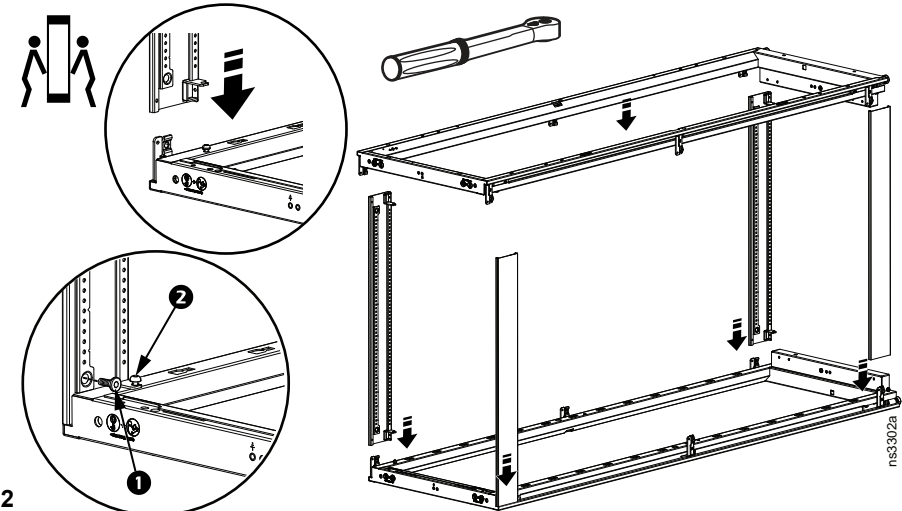
#### WEIGHT/LOAD/STRUCTURAL HAZARD

- Use at least two people when unpacking, lifting and assembling this equipment.
- A torque wrench is required for proper assembly.
- Assure that all fasteners are torqued to the specified value.

Failure to follow these instructions can result in injury.

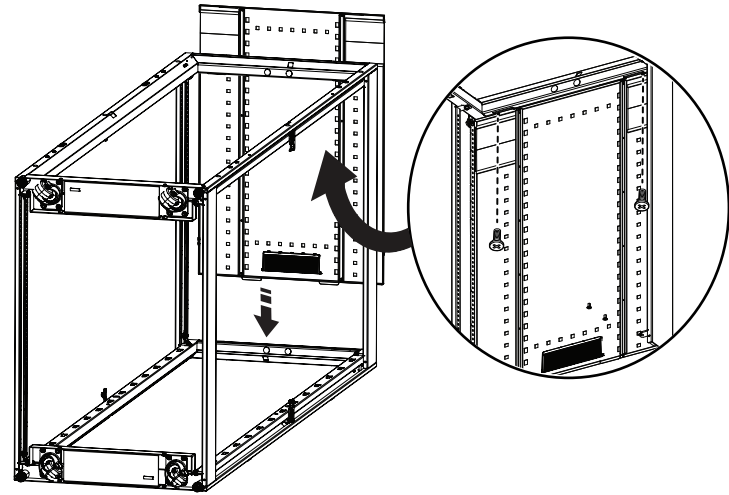
## Frame

Install the horizontal braces to the front and rear frame. Secure with eight (8) M8 x 12 flat head T30 Torx screws ❶, (2 screws for each side brace). Torque to 77.88 in-lb (8.8 N-m). Then, tighten the eight (8) M6 x 12 pan head T30 screws ❷ which are pre-installed on the frame.

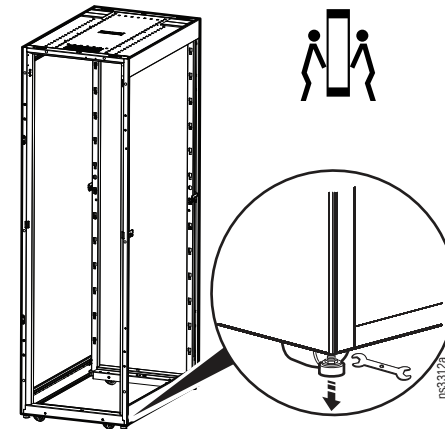


## Roof

Slide the tabs on the front of the roof into the slots in the inside of the front frame. Lower the rear of the roof to seat it on the rear frame and secure it with two (2) M5 x 8 pan head Phillips screws.

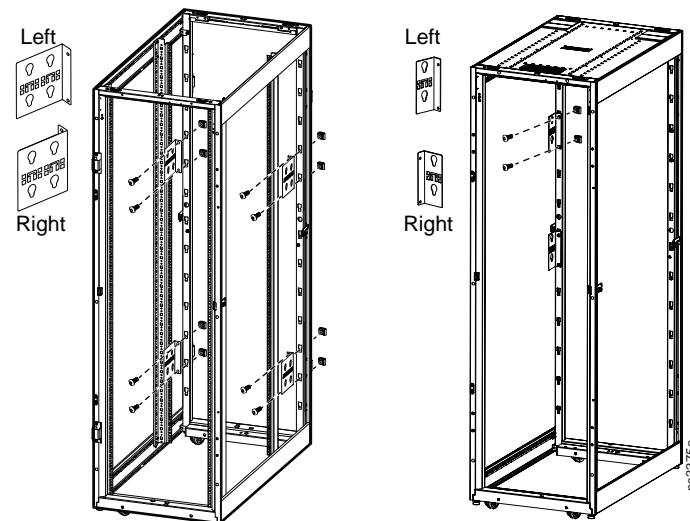


Stand the rack on its casters. Use an open ended 13-mm wrench to lower the leveling feet for support during the remainder of the assembly process.



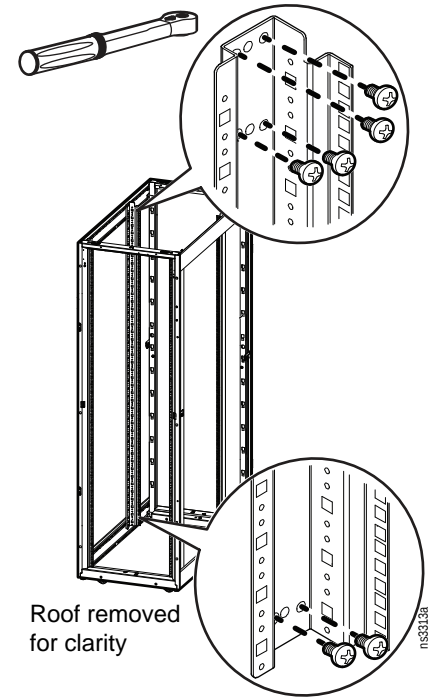
## Mounting Brackets

Install two (2) cage nuts for each mounting bracket. Install the mounting brackets with two (2) M6 x 12 pan head T30 screws.



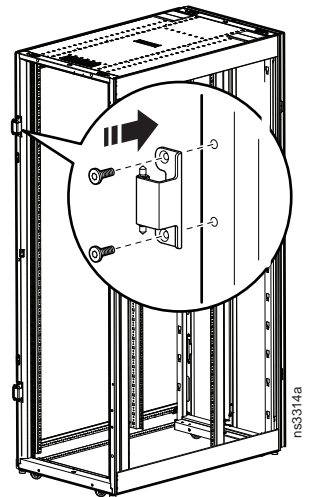
## Vertical Mounting Flanges

Attach the four Vertical Mounting Flanges to the top, and bottom side braces using M5 x 10 pan head Phillips screws. Torque to 28 in-lb (3.2 N-m). See the Easy Rack Installation and Customization Manual (available online at [www.apc.com](http://www.apc.com)) for more information about setting the positions of the Vertical Mounting Flanges.



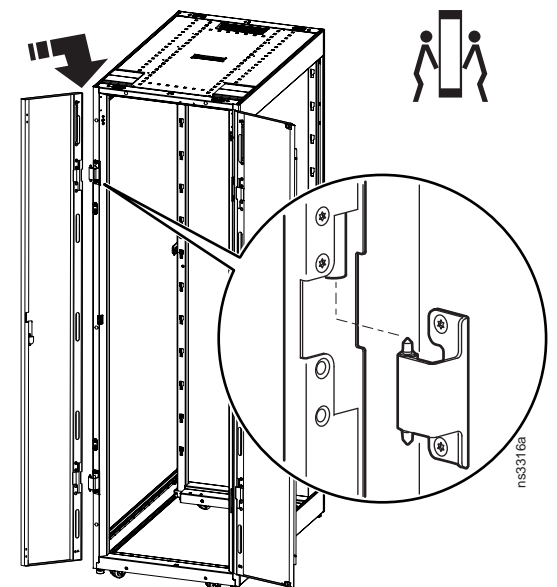
## Door Hinges

Install the six (6) hinges for the front and rear doors to the frame using two (2) M6 x 12 flat head T30 screws for each hinge. Torque to 28 in-lb (3.2 N-m).



## Rear Doors

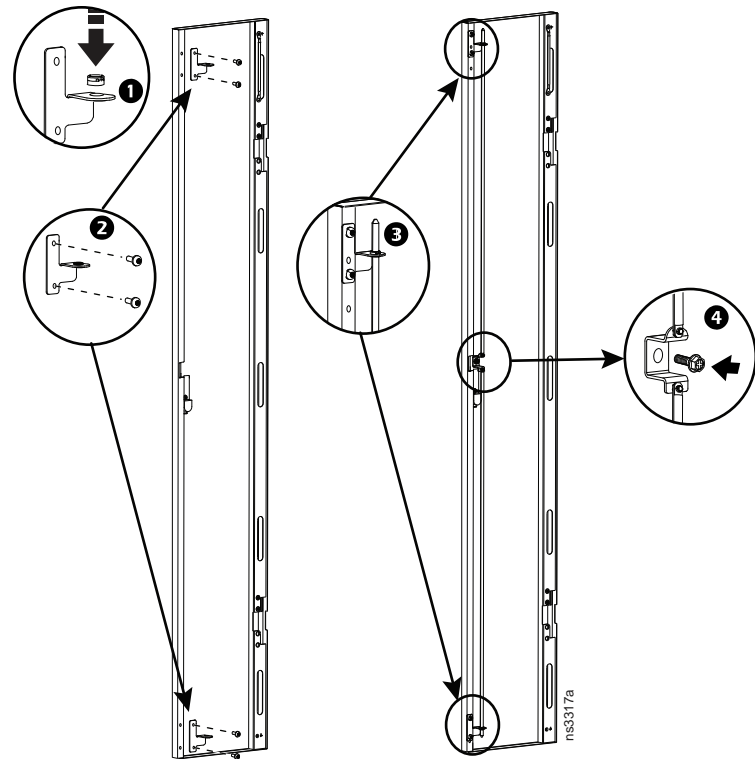
Install the rear doors onto the hinge pins. Hold the doors at a 90 degree angle to the rear of the rack. Slowly lower the door over the hinge pins.



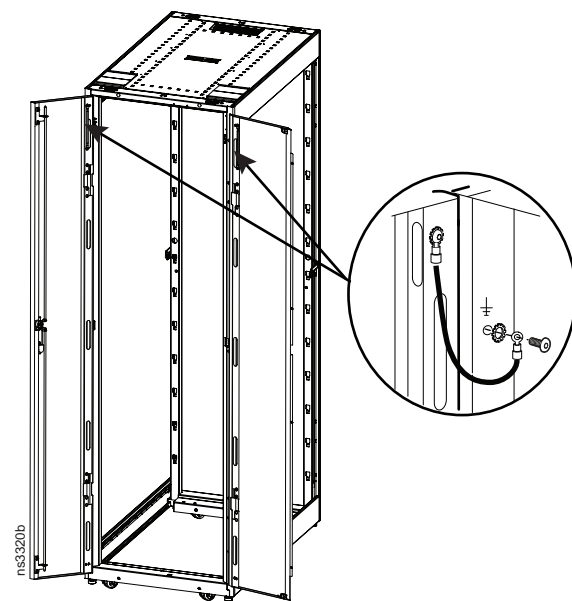
Install the locking assembly.

1. Install the bushings into the top and bottom brackets.
2. Install the top and bottom brackets using two (2) M5 x10 screws for each bracket.
3. Insert the locking rods through the bushings in the top and bottom brackets.
4. Install the center bracket to the door.

**NOTE:** Confirm the locking mechanism functions properly.

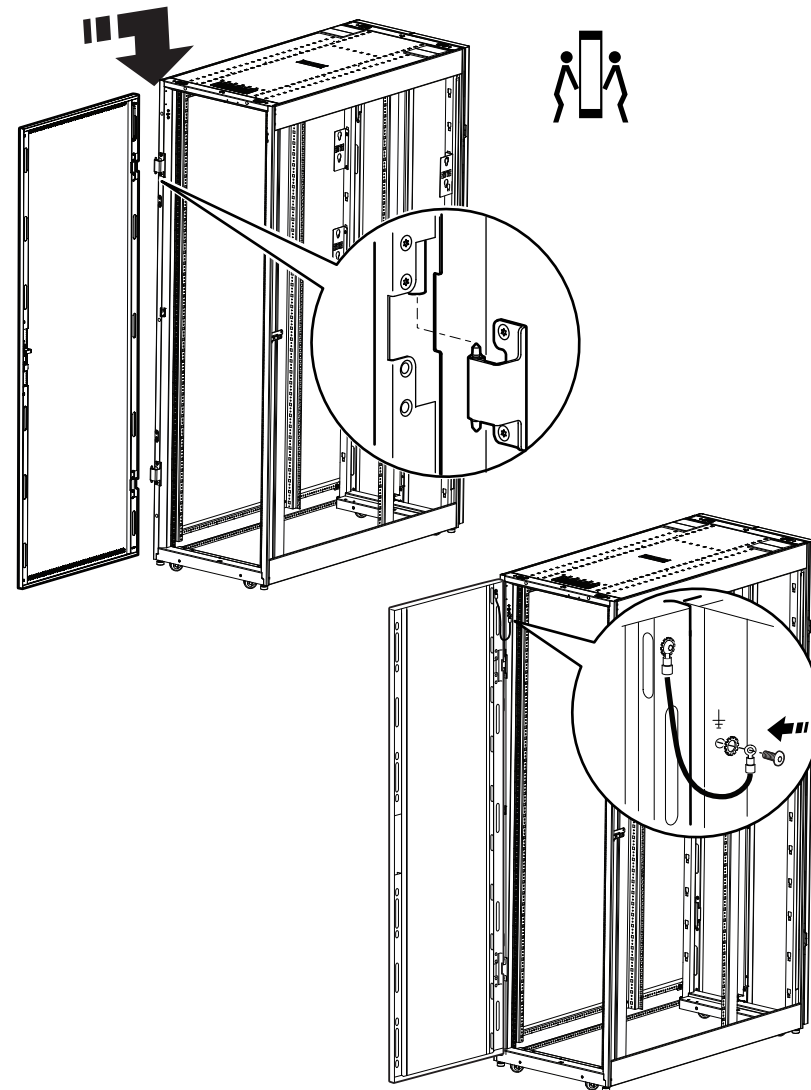


Attach the free end of the ground wires on both doors to the frame using the M6 toothed washers and M6 x 12 pan head T30 screws. The washer is installed between the ground terminal and the cabinet frame. Torque to 28 in-lb (3.2 N-m).



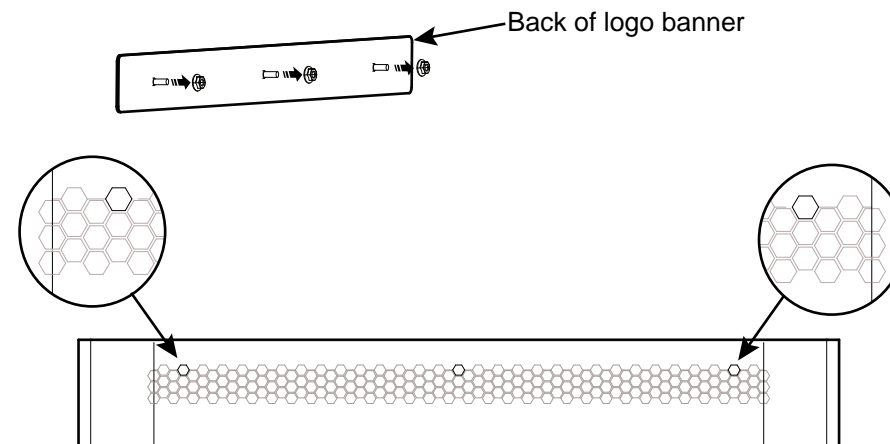
## Front Door

Install the front door to the hinges and connect the ground wire using the M6 toothed washer and M6 x 12 pan head T30 screw. The washer is installed between the ground terminal and the cabinet frame. Torque to 28 in-lb (3.2 N-m).

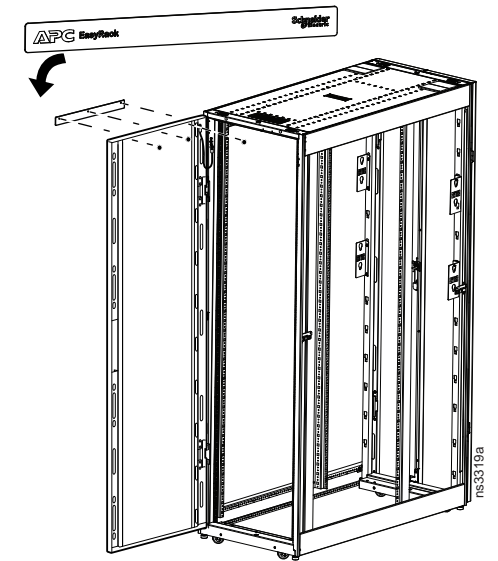


## Install the Logo Banner on the Front Door

1. Remove the three (3) nuts attached to the posts on the rear of the logo banner.
2. Install the logo banner by pushing the threaded posts through the perforations in the door. The posts at either end of the logo banner are inserted through the fourth (4th) hole on the top row of perforations at each side of the door as indicated in the illustration below.



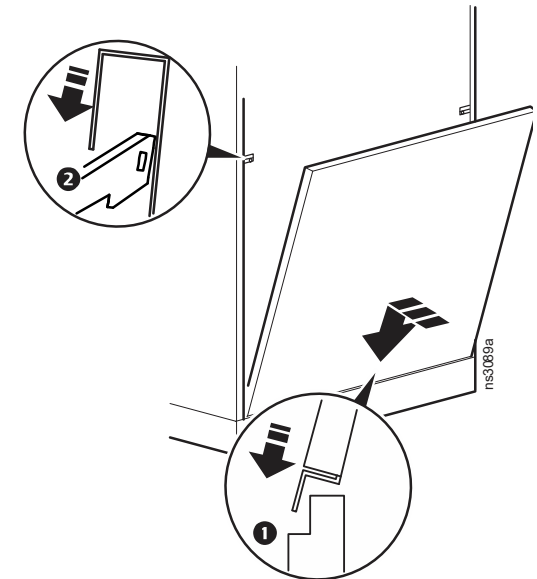
3. Install the nuts to secure the logo banner.



## Side Panels

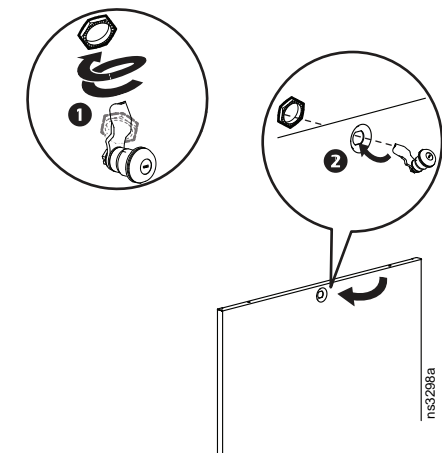
**Bottom:**

1. Fit the bottom lip of the lower side panel into the bottom horizontal brace.
2. Tilt the panel up and over the brackets located on the front and rear frame.



**Top:**

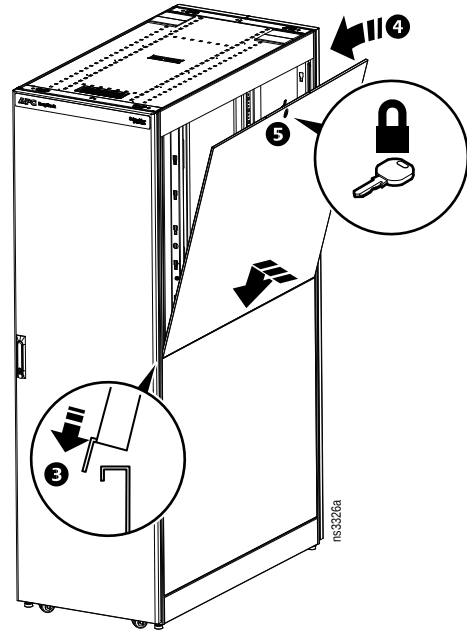
1. Remove the locking collar from the lock.
2. Install the locks in the top panel and secure with the locking collar.





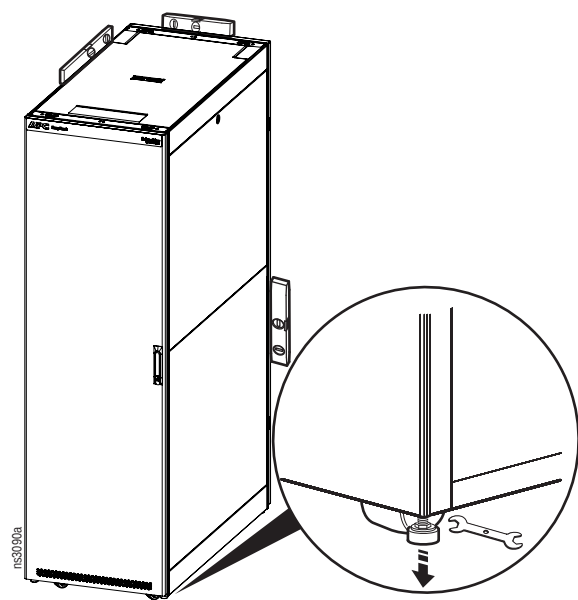
**NOTE:** The bottom panels must be installed before the top panels can be installed.

3. Install the top panel over the bottom panel.
4. Tilt the panel up into position.
5. Lock the top panel in position using the key.



### Level the Rack

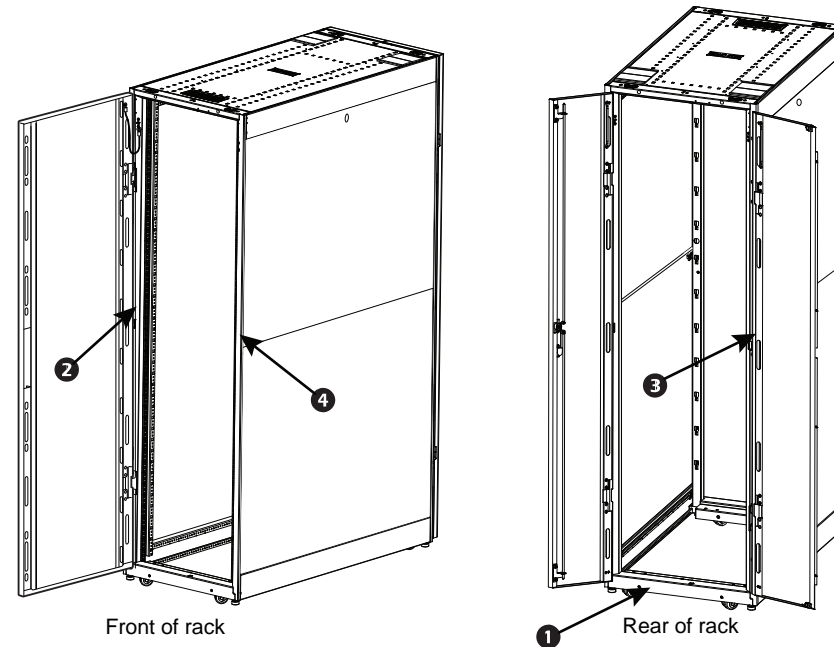
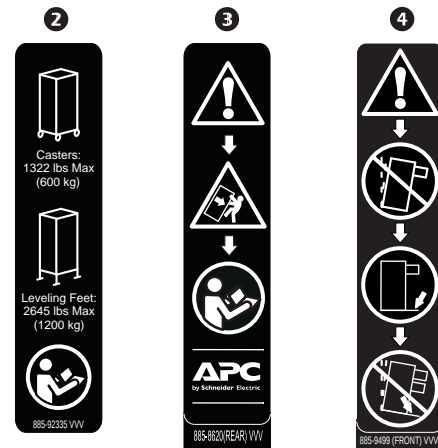
Before installing any equipment into the rack, make sure the rack is level and plumb. Adjust the leveling feet if necessary, using an open-ended 13-mm wrench.



### Apply the Labels

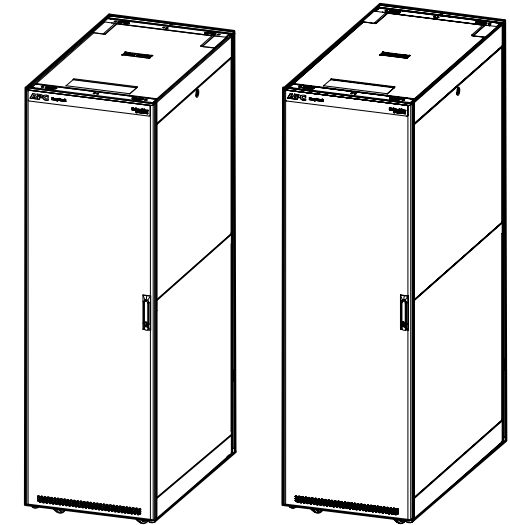
Safety labels are provided. Peel the labels from their backing material and install as shown in the illustration below.

1. Easy Rack Nameplate
2. Weight rating label - Do not overload
3. Tip Hazard label - Use Caution, Read Instructions
4. Tip Hazard label - Imbalance due to unsecured rack and improper shelf extension



1. The Easy Rack nameplate is applied to the bottom of the rear frame.
2. The Weight rating label is applied to the front frame above the left lock hole.
3. The Tip Hazard label is applied to the rear frame above the right door lock hole.
4. The Shelf Extension Tip Hazard label is applied to the front frame above the right lock hole.

### Rack Specifications



	ER6202FP1	ER6212FP1
<b>Height</b>	1991 mm (78.4 in), 42U	1991 mm (78.4 in), 42U
<b>Width</b>	600 mm (23.6 in)	600 mm (23.6 in)
<b>Depth</b>	1000 mm (39.4 in)	1100 mm (43.3 in)
<b>Net Weight</b>	100.4 kg (221 lb)	105.2 kg (232 lb)
<b>Load rating: static (leveling feet down)</b>	1200 kg (2645 lb)	1200 kg (2645 lb)
<b>Load rating: dynamic (casters)</b>	600 kg (1322 lb)	600 kg (1322 lb)