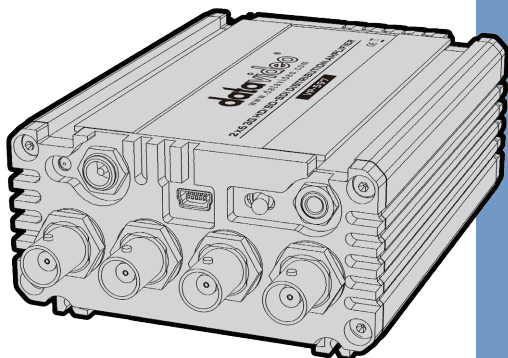


# datavideo



2X6 3G HD/SD-SDI  
DISTRIBUTION AMPLIFIER  
VP-597

## Instruction Manual

[www.datavideo.com](http://www.datavideo.com)

---

# Warranty

## Standard Warranty

- Datavideo equipment are guaranteed against any manufacturing defects for one year from the date of purchase.
- The original purchase invoice or other documentary evidence should be supplied at the time of any request for repair under warranty.
- The product warranty period begins on the purchase date. If the purchase date is unknown, the product warranty period begins on the thirtieth day after shipment from a Datavideo office.
- All non-Datavideo manufactured products (product without Datavideo logo) have only one year warranty from the date of purchase.
- Damage caused by accident, misuse, unauthorized repairs, sand, grit or water is not covered under warranty.
- Viruses and malware infections on the computer systems are not covered under warranty.
- Any errors that are caused by unauthorized third-party software installations, which are not required by our computer systems, are not covered under warranty.
- All mail or transportation costs including insurance are at the expense of the owner.
- All other claims of any nature are not covered.
- All accessories including headphones, cables, and batteries are not covered under warranty.
- Warranty only valid in the country or region of purchase.
- Your statutory rights are not affected.

## Three Year Warranty

- All Datavideo products purchased after July 1st, 2017 are qualified for a free two years extension to the standard warranty, providing the product is registered with Datavideo within 30 days of purchase.
- Certain parts with limited lifetime expectancy such as LCD panels, DVD drives, Hard Drive, Solid State Drive, SD Card, USB Thumb Drive, Lighting, Camera module, PCIe Card are covered for 1 year.
- The three-year warranty must be registered on Datavideo's official website or with your local Datavideo office or one of its authorized distributors within 30 days of purchase.

---

# Disposal

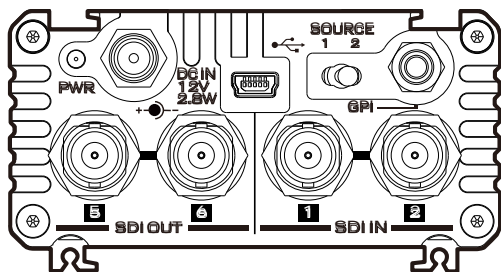


## For EU Customers only - WEEE Marking

This symbol on the product or on its packaging indicates that this product must not be disposed of with your other household waste. Instead, it is your responsibility to dispose of your waste equipment by handing it over to a designated collection point for the recycling of waste electrical and electronic equipment.

The separate collection and recycling of your waste equipment at the time of disposal will help to conserve natural resources and ensure that it is recycled in a manner that protects human health and the environment. For more information about where you can drop off your waste equipment for recycling, please contact your local city office, your household waste disposal service or the shop where you purchased the product.

## Front Panel



### DC In Socket

Connects the supplied 12V PSU to this socket. The connection can be secured by screwing the outer fastening ring of the DC In plug to the socket.



### Mini USB

USB interface for firmware update; VP-597 center utility control interface



### SOURCE Switch

Selects the SDI input source 1 or source 2.



### GPI socket

Used for simple external control. The VP-597 can be switched the SDI input source 1 or source 2 by a trigger.



### 3G HD/SD – SDI Output

BNC connects for SDI Outputs (5, 6).



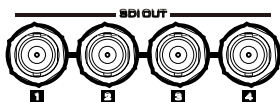
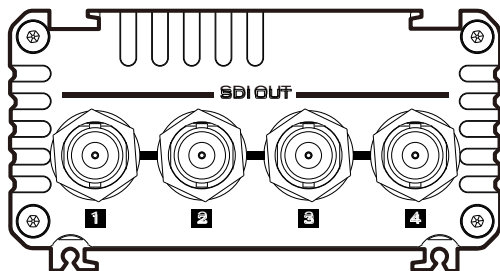
### 3G HD/SD - SDI Input

BNC connects for SDI Inputs.

---

## Rear Panel

---



### 3G HD/SD - SDI Output

BNC connectors for SDI Outputs (1~4).

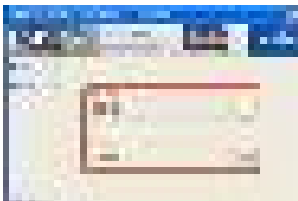
---

## VP-597 Center



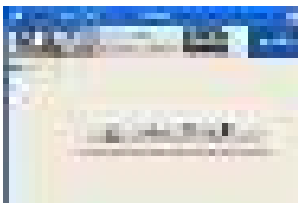
### Information -

Display the input format & Firmware Version.



### Video -

Setting the input source & GPI mode.



### Setting -

Click the setting button to reset VP-597 to factory default.

---

## GPI / GPO Connections

The VP-597 can be controlled externally via a simple contact closure GPI (General Purpose Interface) switch. This could be a push button, foot switch or any relay or any circuit that is able to provide a simple contact closure.

The GPI interface is a 3.5mm jack socket. Contact closure between outer and inner contacts on the jack plug will trigger a user selected event. Power is supplied by the VP-597 and is less than 5V DC.

3.5 mm Stereo Jack Plug



Contact closure between inner and outer will send a GPI Trigger

This GPI socket can also be used as a GPO socket to trigger record or playback events with other equipment such as the Datavideo recorder.

## Specifications

Input	2 x BNC [SDI source selectable]
Output	6 x BNC [SDI]
BNC Connector	3G 75 $\Omega$ inter-locked socket
Support Video Resolution	<ul style="list-style-type: none"><li>● <b>3G-SDI:</b> 1080p60/50 1080p59.94</li><li>● <b>HD-SDI:</b> 1080i60/50, 1080p30/25/24, 720p60/50 1080i/59.94, 1080p/29.97, 1080p/23.98 720p/59.94</li><li>● <b>SD-SDI:</b> 525i, 625i</li></ul>
Audio Support	Support SDI embedded audio Up to 8 channels, 48KHz, PCM audio (If available from SDI source)
Re-clock Function	Yes
Input source select	Source Switch / GPI
Mini USB	F/W Upgrade VP-597 center utility control interface
Dimension & Weight	127.1mm(L) x 85mm(W) x 45.2mm(H) / 456g
Power	12V / 2.8W
Operation Temperature	<b>0-40 °C [32-104 °F]</b>
Storage Temperature	-10~ +60°C
Certifications	CE/ FCC

# Service & Support

It is our goal to make your products ownership a satisfying experience. Our supporting staff is available to assist you in setting up and operating your system. Please refer to our web site [www.datavideo.com](http://www.datavideo.com) for answers to common questions, support requests or contact your local office below.

**China Shanghai**  
Datavideo Technologies China Co  
601, Building 10, No.1228,  
Rd. Jiangchang,  
Jingan District, Shanghai  
Tel: +86 21-5603 6599  
Fax: +86 21-5603 6770  
E-mail: service@datavideo.cn

**China Beijing**  
Datavideo Technologies China Co  
No. 812, Building B, Wankai Center,  
No.316, Wan Feng Road, Fengtai District,  
Beijing, China  
Tel: +86 10-8586 9034  
Fax: +86 10-8586 9074  
E-mail: service@datavideo.cn

**China Chengdu**  
Datavideo Technologies China Co  
B-823, Meinian square, No.1388,  
Middle of Tianfu Avenue, Gaoxin District,  
Chengdu, Sichuan  
Tel: +86 28-8613 7786  
Fax: +86 28-8513 6486  
E-mail: service@datavideo.cn

**China Fuzhou**  
Datavideo Technologies China Co  
A1-2318-19 Room, No.8, Aojiang Road,  
Tajiang District, Fuzhou, Fujian, China  
Tel: 0591-83211756 · 0591-83210187  
Fax: 0591-83211262  
E-mail: service@datavideo.cn

**China Jinan**  
Datavideo Technologies China Co  
902, No. 1 business building,  
Xiangtai Square, No. 129,  
Yingxingshan Road, Shizhong District,  
Jinan City, Shandong Province, China  
Tel: +86 531-8607 8813  
E-mail: service@datavideo.cn

**Hong Kong**  
Datavideo Hong Kong Ltd  
G/F, 26 Cross Lane  
Wanchai, Hong Kong  
Tel: +852-2833-1981  
Fax: +852-2833-9916  
E-mail: info@datavideo.com.hk

**India Noida**  
Datavideo India Noida  
A-132, Sec-63, Noida-201307,  
India  
Tel: +91-0120-2427337  
Fax: +91-0120-2427338  
E-mail: sales@datavideo.in

**India Kochi**  
Datavideo India Kochi  
2nd Floor- North Wing, Govardhan Building,  
Opp. NCC Group Headquarters, Chittoor Road,  
Cochin- 682035  
Tel: +91 4844-025336  
Fax: +91 4844-047696  
E-mail: sales@datavideo.in

**Netherlands**  
Datavideo Technologies Europe BV  
Floridadreef 106  
3565 AM Utrecht,  
The Netherlands  
Tel: +31-30-261-96-56  
Fax: +31-30-261-96-57  
E-mail: info@datavideo.nl

**Singapore**  
Datavideo Visual Technology(S) Pte Ltd  
No. 178 Paya Lebar Road #06-07  
Singapore 409030  
Tel: +65-6749 6866  
Fax: +65-6749 3266  
E-mail: info@datavideovirtualset.com

**Singapore**  
Datavideo Technologies (S) PTE Ltd  
No. 178 Paya Lebar Road #06-03  
Singapore 409030  
Tel: +65-6749 6866  
Fax: +65-6749 3266  
E-mail: sales@datavideo.sg

**Taiwan**  
Datavideo Technologies Co. Ltd  
10F, No. 176, Jian 1st Rd., Chung Ho  
District, New Taipei City 235, Taiwan  
Tel: +886-2-8227-2888  
Fax: +886-2-8227-2777  
E-mail: service@datavideo.com.tw

**United States**  
Datavideo Corporation  
7048 Elmer Avenue,  
Whittier, CA 90602,  
U.S.A.  
Tel: +1-562-686 2324  
Fax: +1-562-686 6930  
E-mail: sales@datavideo.com

**United Kingdom**  
Datavideo UK Limited  
Brookfield House, Brookfield Industrial  
Estate, Peakdale Road, Glossop,  
Derbyshire, SK13 6LQ  
Tel: +44-1457 851 000  
Fax: +44-1457 850 964  
E-mail: sales@datavideo.co.uk

**France**  
Datavideo France s.a.r.l.  
Cité Descartes 1, rue Albert Einstein  
Champs sur Marne 774477 –  
Marne la Vallée cedex 2  
Tel: +33-1-60370246  
Fax: +33-1-60376732  
E-mail: info@datavideo.fr



Please visit our website for latest manual update.  
[www.datavideo.com/product/VP-597](http://www.datavideo.com/product/VP-597)

# datavideo

[www.datavideo.com](http://www.datavideo.com)

All the trademarks are the properties of their respective owners.

Datavideo Technologies Co., Ltd. All rights reserved 2018

Nov-15-2018

Version : E3