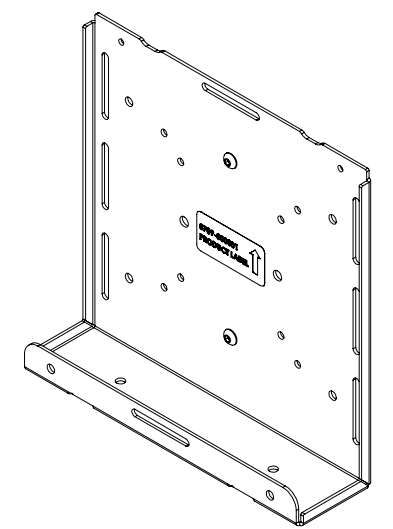
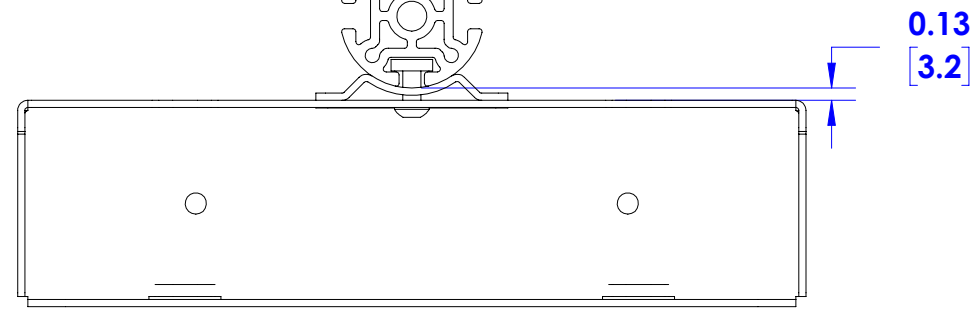


KONTOUR SERIES COLUMN  
FOR ILLUSTRATION PURPOSES



8" MAX THIN CLIENT WIDTH

1.7" MAX THIN CLIENT DEPH

100X100 MM PATTERN

75X75 MM PATTERN

8" MAX THIN CLIENT HEIGHT

8709-000001  
PRODUCT LABEL ↑

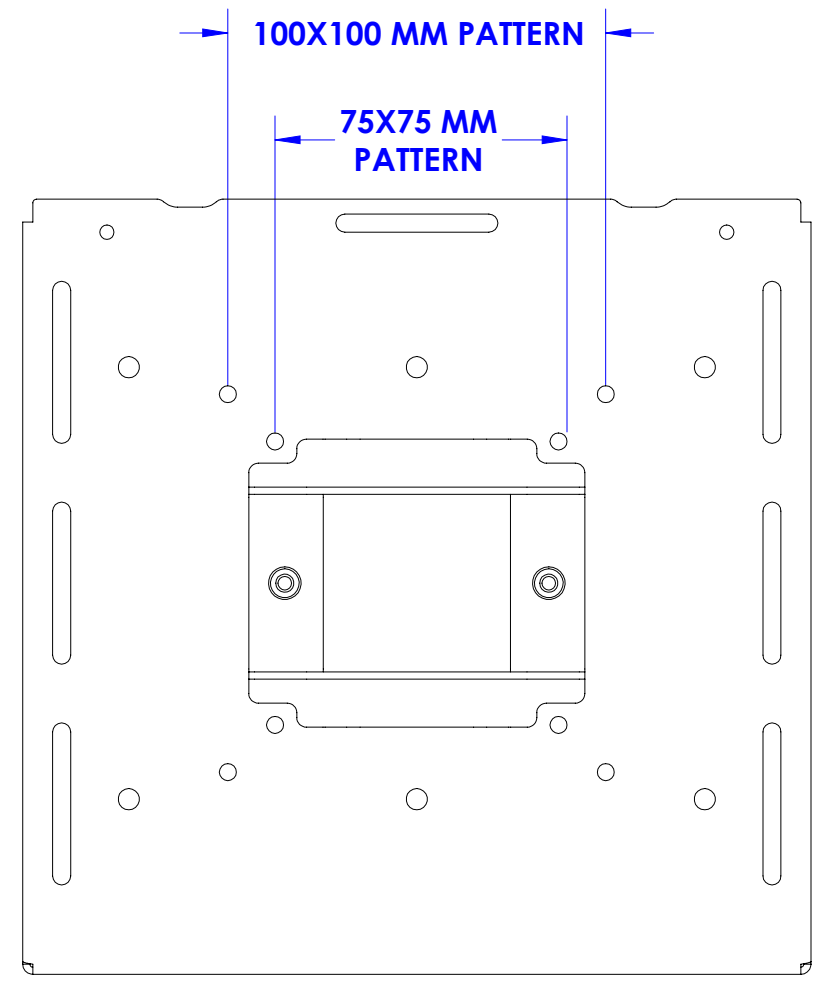
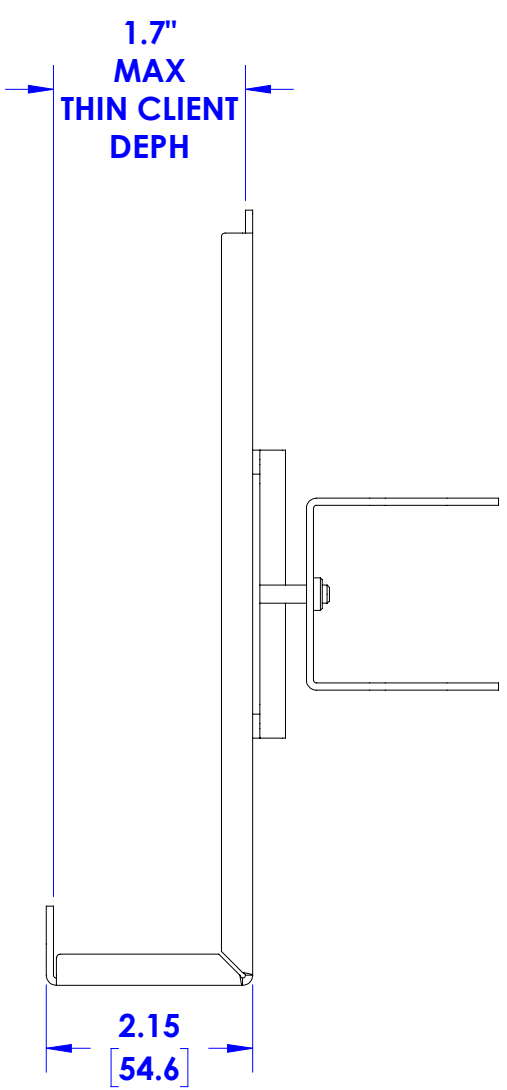
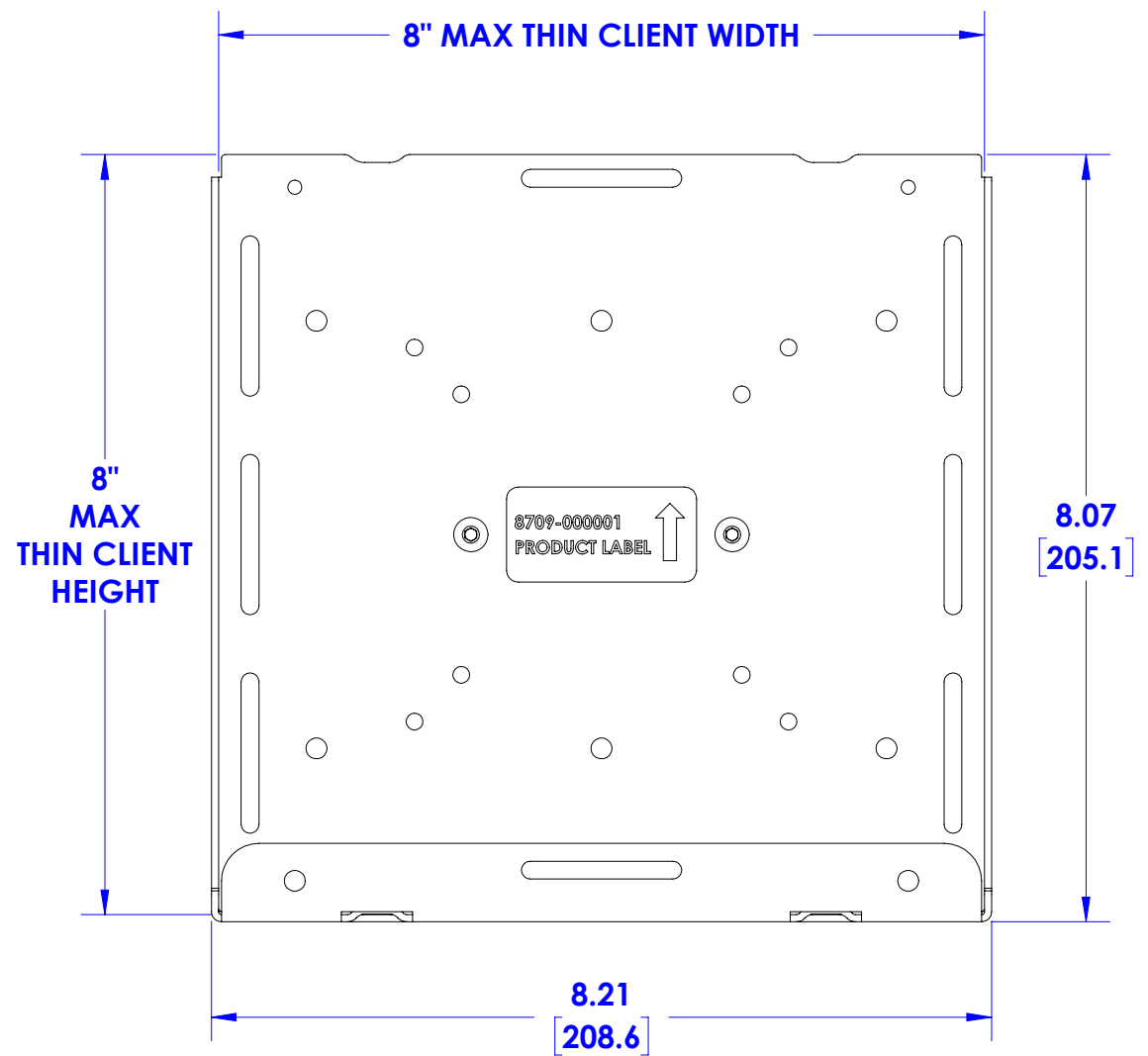
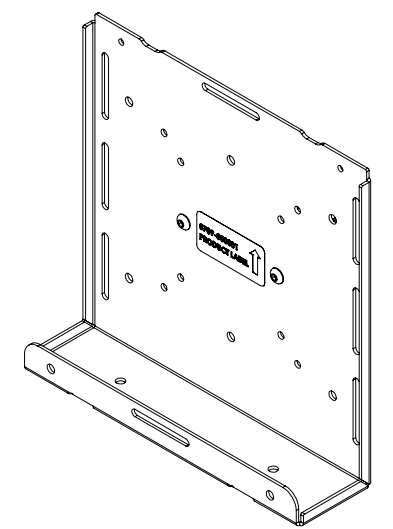
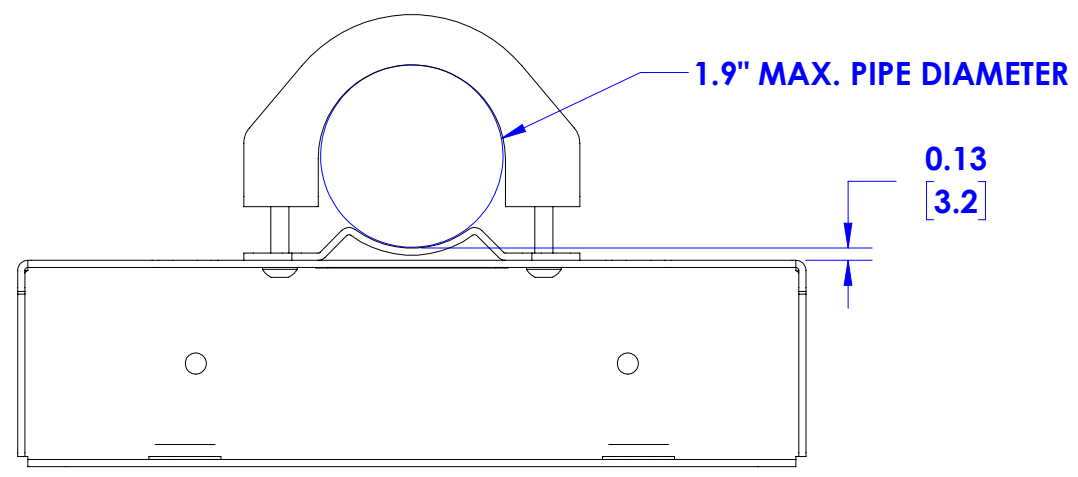
8.07  
[205.1]

8.21  
[208.6]

2.15  
[54.6]

THE INFORMATION AND DESIGNS CONTAINED IN THIS DRAWING ARE CONFIDENTIAL AND THE PROPRIETARY PROPERTY OF MILESTONE AV TECHNOLOGIES NEITHER THIS DESIGN NOR ANY INFORMATION CONTAINED IN THIS DRAWING MAY BE REPRODUCED OR DISCLOSED TO OTHERS WITHOUT THE EXPRESS WRITTEN CONSENT OF MILESTONE AV TECHNOLOGIES.

CAD GENERATED DRAWING, DO NOT MANUALLY UPDATE.			6436 CITY WEST PKWY EDEN PRAIRIE MN, 55344 PHONE: 866-977-3901 FAX: 877-894-6918	
DRAWN BY	JN	11/27/2018	DESCRIPTION	
ENG APPROVAL			THIN-CLIENT PC MNT, CLMN/POLE	
MFG APPROVAL			MODEL NO.	
QA APPROVAL			KRA232B/KRA232PB	
SHEET 1 OF 2		SCALE 1:2	SIZE B	DWG. NO. TECH-000963
				REV. 00



THE INFORMATION AND DESIGNS CONTAINED IN THIS DRAWING ARE CONFIDENTIAL AND THE PROPRIETARY PROPERTY OF MILESTONE AV TECHNOLOGIES NEITHER THIS DESIGN NOR ANY INFORMATION CONTAINED IN THIS DRAWING MAY BE REPRODUCED OR DISCLOSED TO OTHERS WITHOUT THE EXPRESS WRITTEN CONSENT OF MILESTONE AV TECHNOLOGIES.

CAD GENERATED DRAWING, DO NOT MANUALLY UPDATE.			<b>CHIEF</b>		6436 CITY WEST PKWY EDEN PRAIRIE MN, 55344 PHONE: 866-977-3901 FAX: 877-894-6918	
DRAWN BY	JN	11/27/2018	DESCRIPTION <b>THIN-CLIENT PC MNT, CLMN/POLE</b>			
ENG APPROVAL			MODEL NO. <b>KRA232B/KRA232PB</b>			
MFG APPROVAL			SIZE	DWG. NO.	REV.	
QA APPROVAL			<b>B</b>	<b>TECH-000963</b>	<b>00</b>	
SHEET 2 OF 2			SCALE			
			<b>1:2</b>			