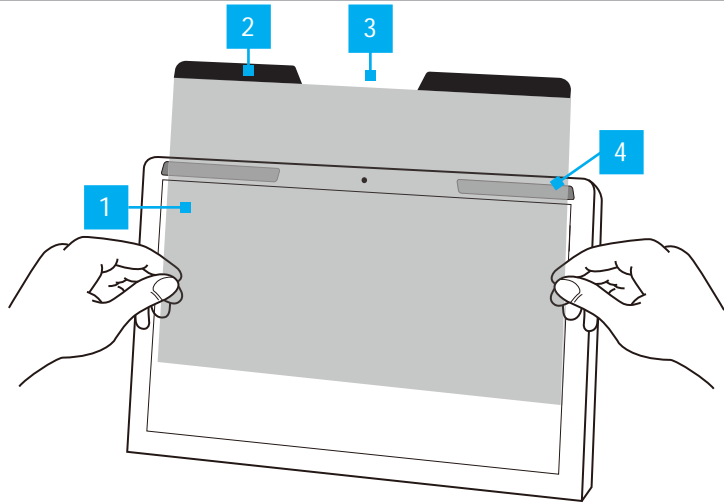


Installation Instructions for StarTech.com Magnetic Privacy Filters



*Product may vary from image

Component	Function
1 Privacy Filter	<ul style="list-style-type: none"> Privacy effect when viewing the Screen at angles greater than 30° off-center from the Left or Right The total Field of View is 60°
2 Magnetic Tabs	<ul style="list-style-type: none"> Secure the Privacy Filter to the Display Bezel
3 Camera Notch	<ul style="list-style-type: none"> Ensures the built-in camera is not obstructed
4 Metal Strips	<ul style="list-style-type: none"> For Displays with a Non-Magnetic Top Bezel <p>Note: Not included with all Magnetic Privacy Filters</p>

Requirements

For the latest manuals, product information, technical specifications, and declarations of conformance, please visit: www.startech.com/support

Install the Privacy Filter

Method 1: Direct Bezel Mounting

1. Clean the **Screen** and **Top Bezel** using the **Wiping Cloth**.
2. Remove all **Protective Films** from the **Privacy Filter**.
3. Attach the **Privacy Filter** by aligning the **Magnetic Tabs** against the **Top Bezel**. Make any required adjustments to ensure that the **Privacy Filter** is covering the entire screen. (Figure 1)

Note: If the Privacy Screen is reversible, choose the side that best fits the application.

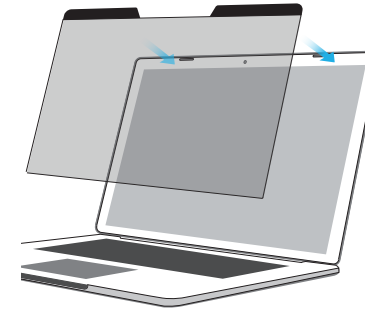


Figure 1

4. Use the **Wiping Cloth** to clean any fingerprints or dust on the **Privacy Filter**.

Method 2: Metal Strips

1. Clean the **Screen** and **Top Bezel** using the **Wiping Cloth**.
2. Remove all **Protective Films** from the **Privacy Filter**.
3. Remove all **Metal Strips** from the **Transparent Lining**. (Figure 2)

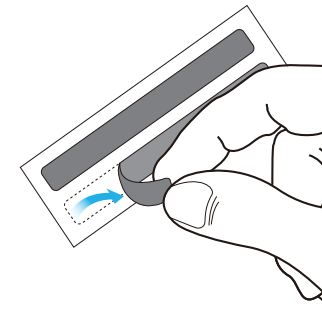


Figure 2

4. Position the **Metal Strips** on the **Top Bezel**, aligning them to the **Right** and **Left** sides. (Figure 3)

Note: Ensure there is at least a 0.47in (12mm) gap on the Bezel for the Metal Strips.

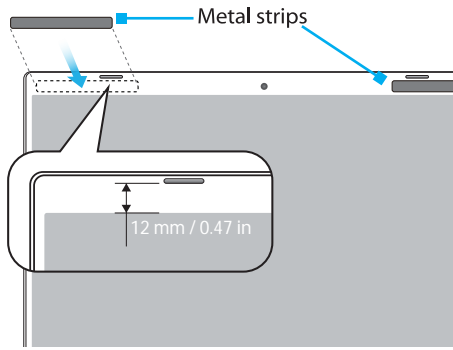


Figure 3

4. Apply **Gentle Pressure** to the **Metal Strips**. (Figure 4)

Note: Once the Metal Strips have been applied to the Top Bezel, do not remove them to prevent weakening the adhesive backing.

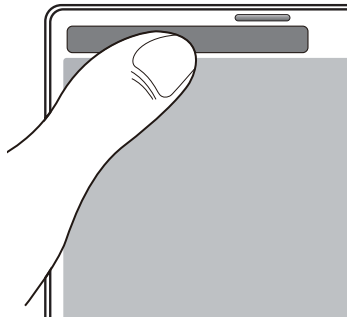


Figure 4

5. Attach the **Privacy Filter** by aligning the **Magnetic Tabs** against the **Metal Strips**. Make any required adjustments to ensure that the **Privacy Filter** is covering the entire screen. (Figure 5)

Note: If the Privacy Screen is reversible, choose the side that best fits the application.

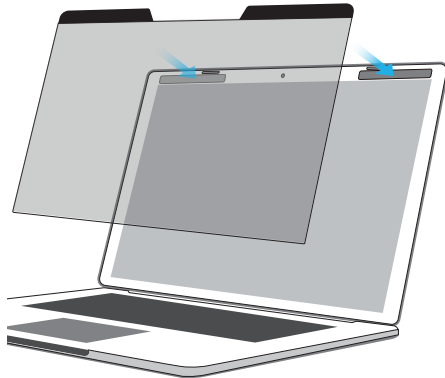


Figure 5

6. Use the **Wiping Cloth** to clean any fingerprints or dust on the **Privacy Filter**.



Regulatory Compliance

Use of Trademarks, Registered Trademarks, and other Protected Names and Symbols

This manual may make reference to trademarks, registered trademarks, and other protected names and/or symbols of third-party companies not related in any way to StarTech.com. Where they occur these references are for illustrative purposes only and do not represent an endorsement of a product or service by StarTech.com, or an endorsement of the product(s) to which this manual applies by the third-party company in question. StarTech.com hereby acknowledges that all trademarks, registered trademarks, service marks, and other protected names and/or symbols contained in this manual and related documents are the property of their respective holders.

Warranty Information

This product is backed by a two-year warranty.

For further information on product warranty terms and conditions, please refer to www.startech.com/warranty.

Limitation of Liability

In no event shall the liability of StarTech.com Ltd. and StarTech.com USA LLP (or their officers, directors, employees or agents) for any damages (whether direct or indirect, special, punitive, incidental, consequential, or otherwise), loss of profits, loss of

StarTech.com Ltd.
45 Artisans Crescent
London, Ontario
N5V 5E9
Canada

StarTech.com LLP
4490 South Hamilton
Road
Groveport, Ohio
43125
U.S.A.

StarTech.com Ltd.
Unit B, Pinnacle 15
Gowerton Road
Brackmills,
Northampton
NN4 7BW
United Kingdom

StarTech.com Ltd.
Siriusdreef 17-27
2132 WT Hoofddorp
The Netherlands

FR: startech.com/fr
DE: startech.com/de
ES: startech.com/es
NL: startech.com/nl
IT: startech.com/it
JP: startech.com/jp