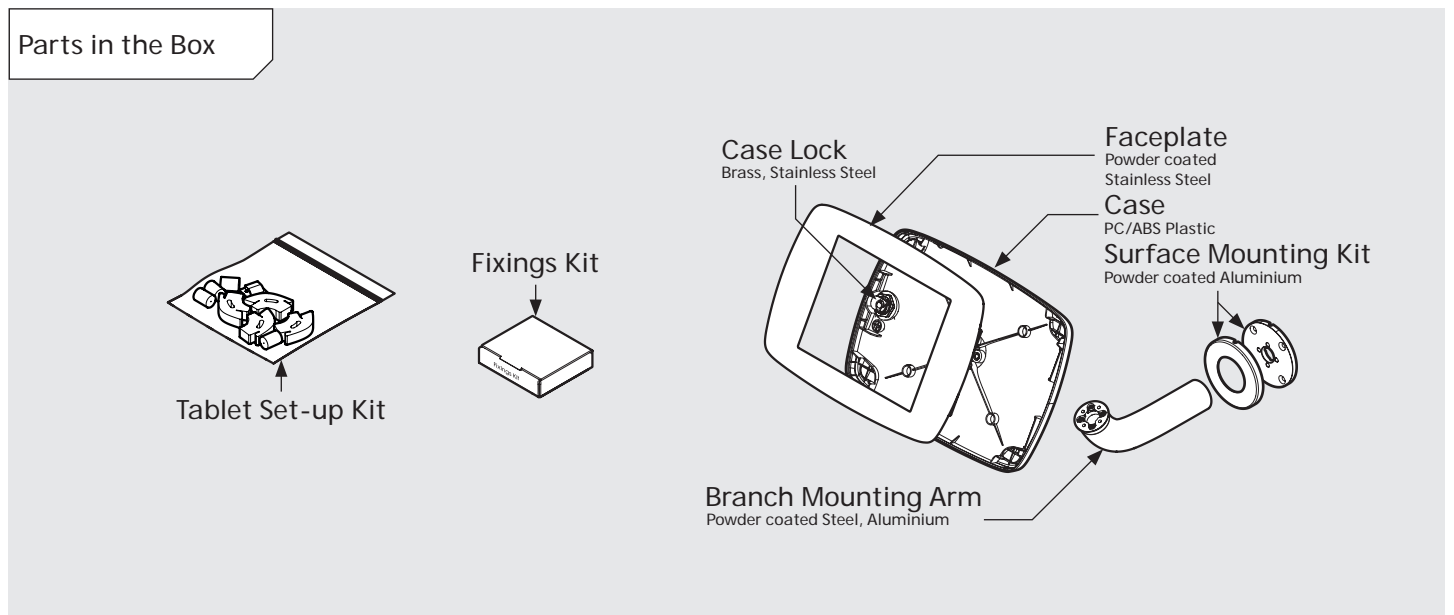
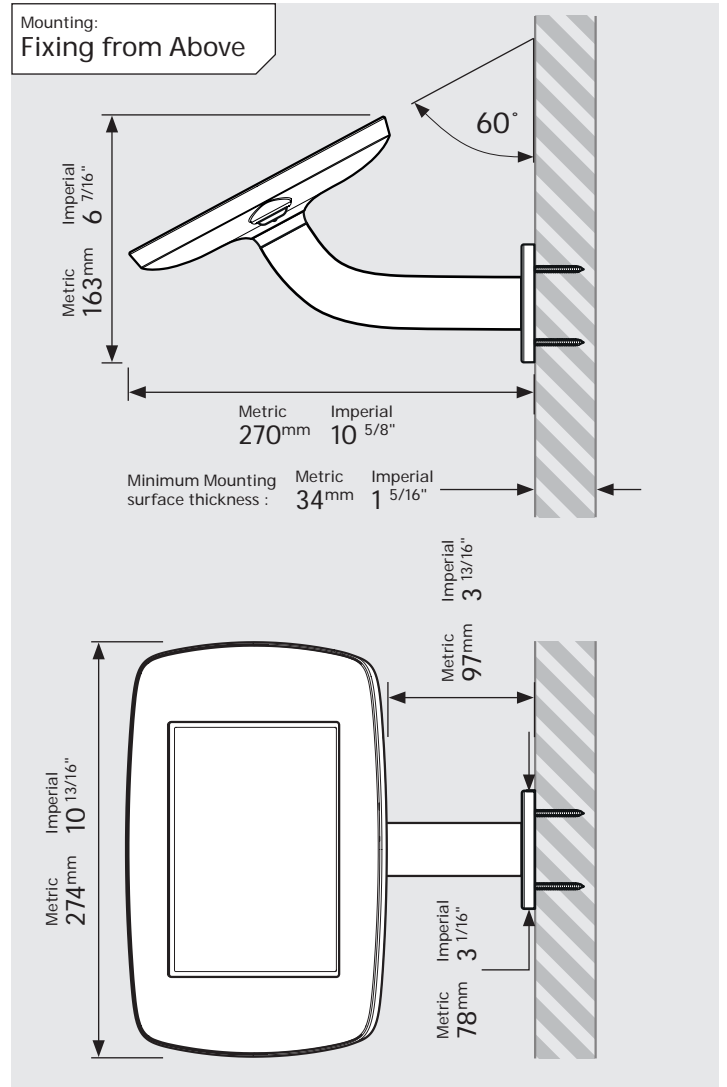
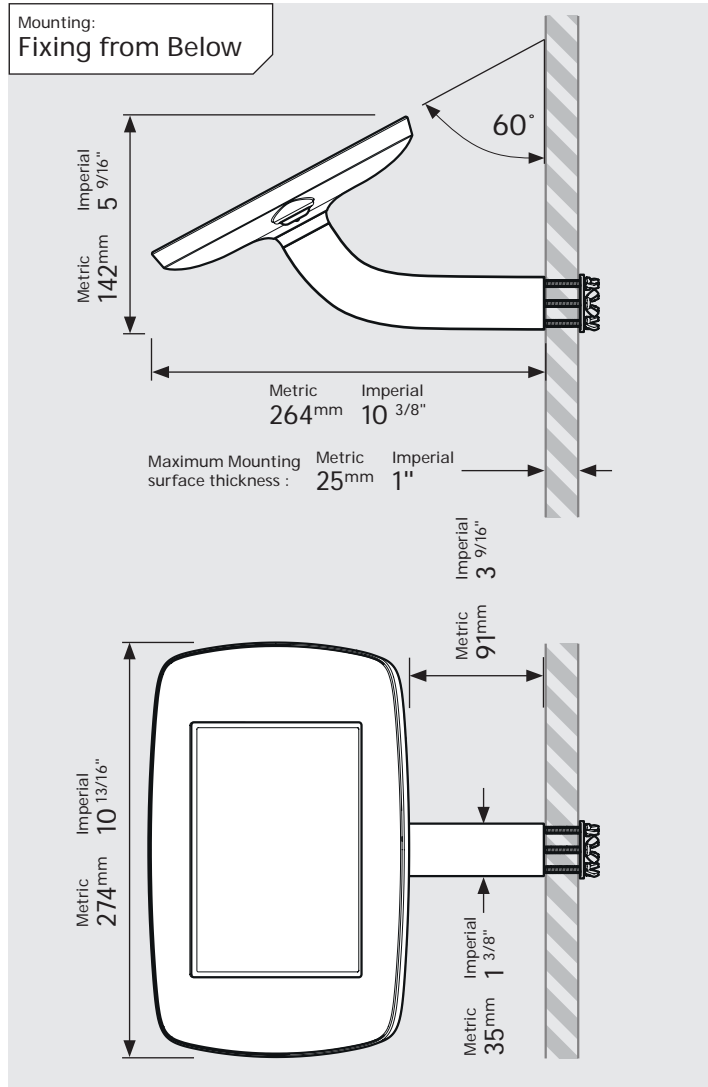


PRODUCT DATA SHEET - BRANCH (MINI CASE)



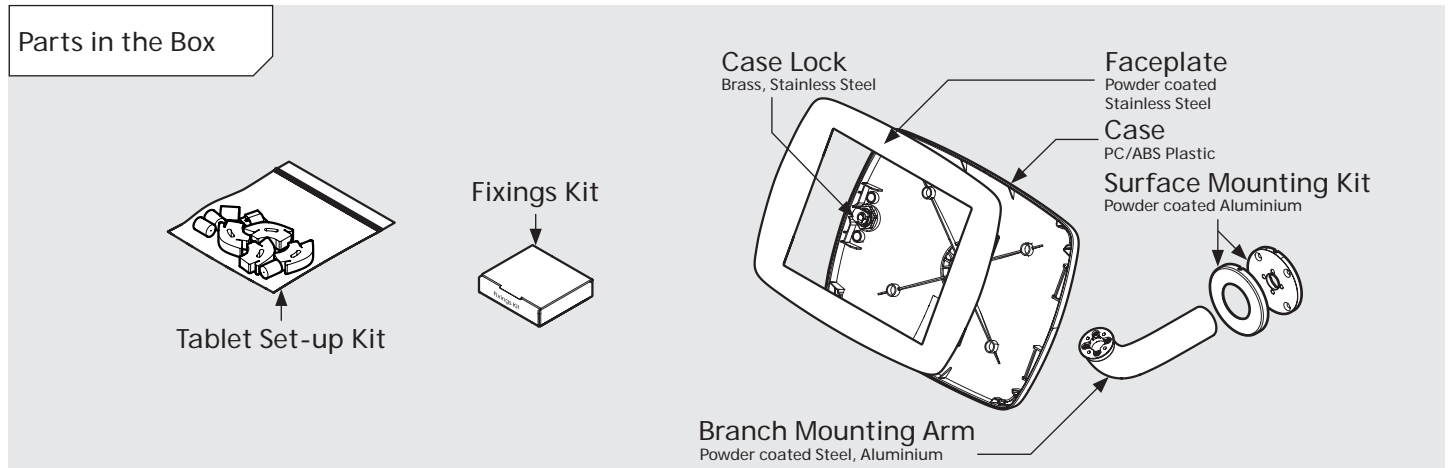
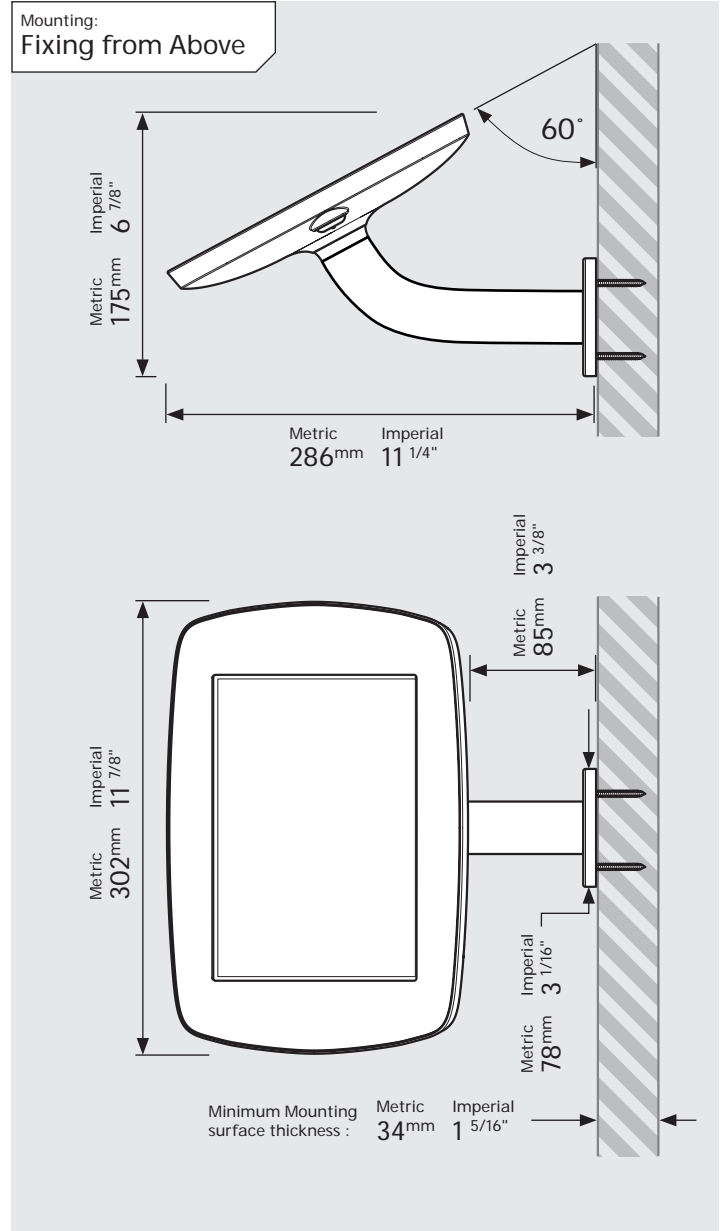
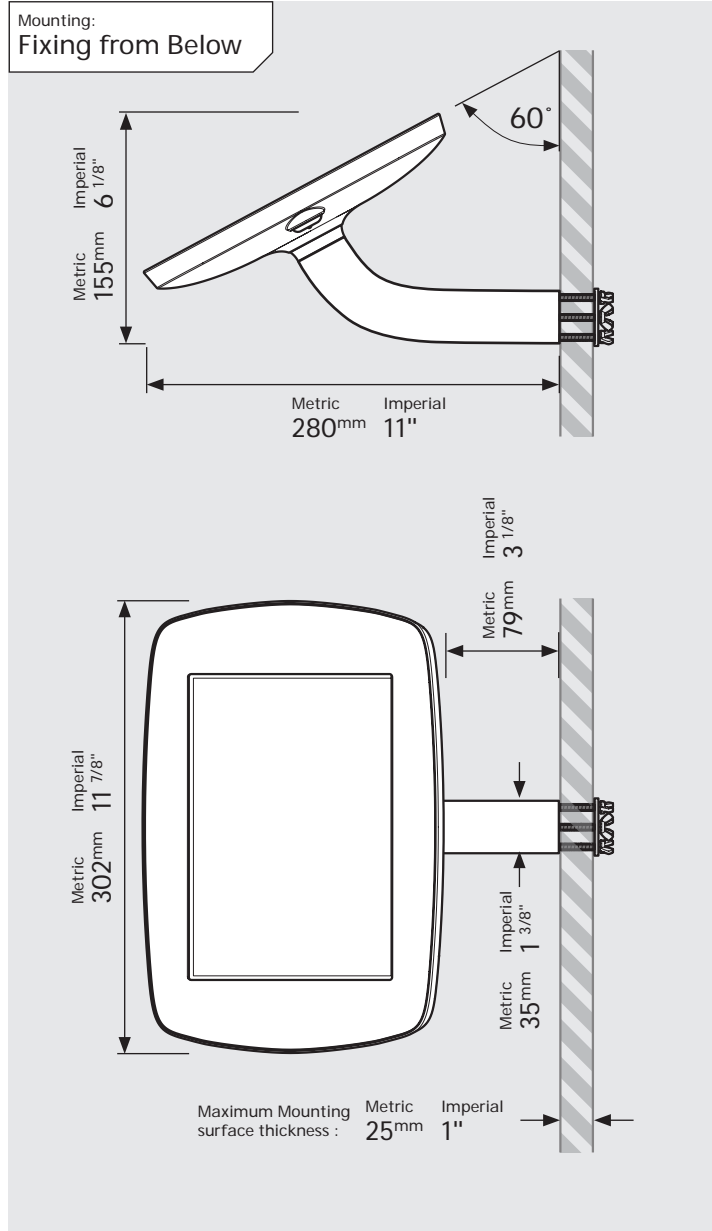
Case: Mini Arm: Branch Mounting: Fixing from Below
 Fixing from Above Packaged weight: 1.71kg Colour: White
 Black



PRODUCT DATA SHEET - BRANCH (MIDI CASE)

bouncepad®

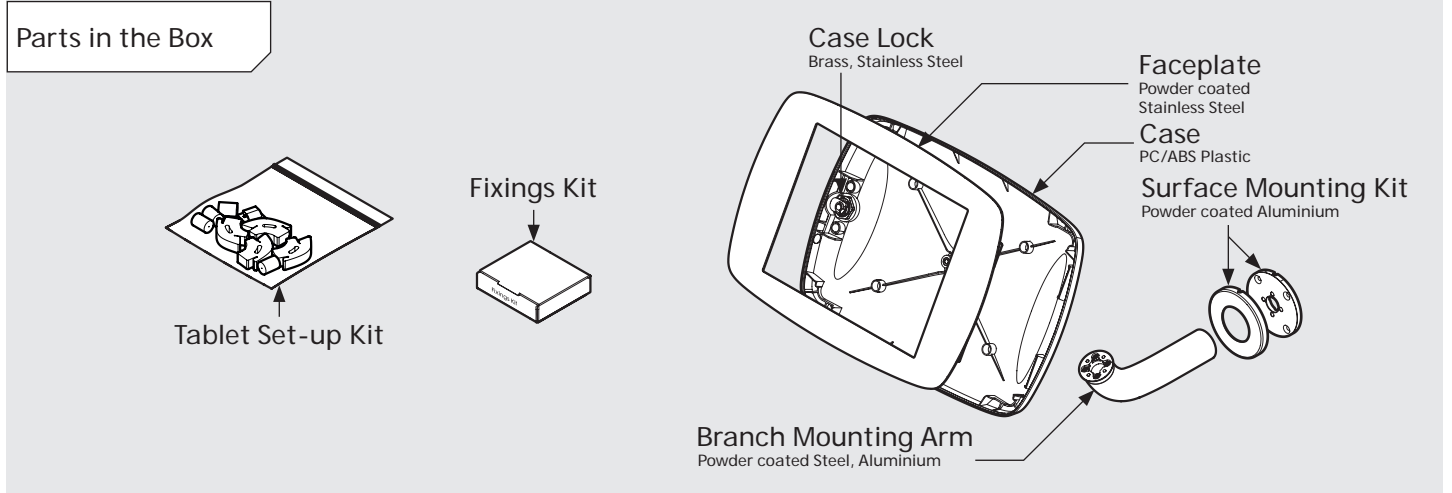
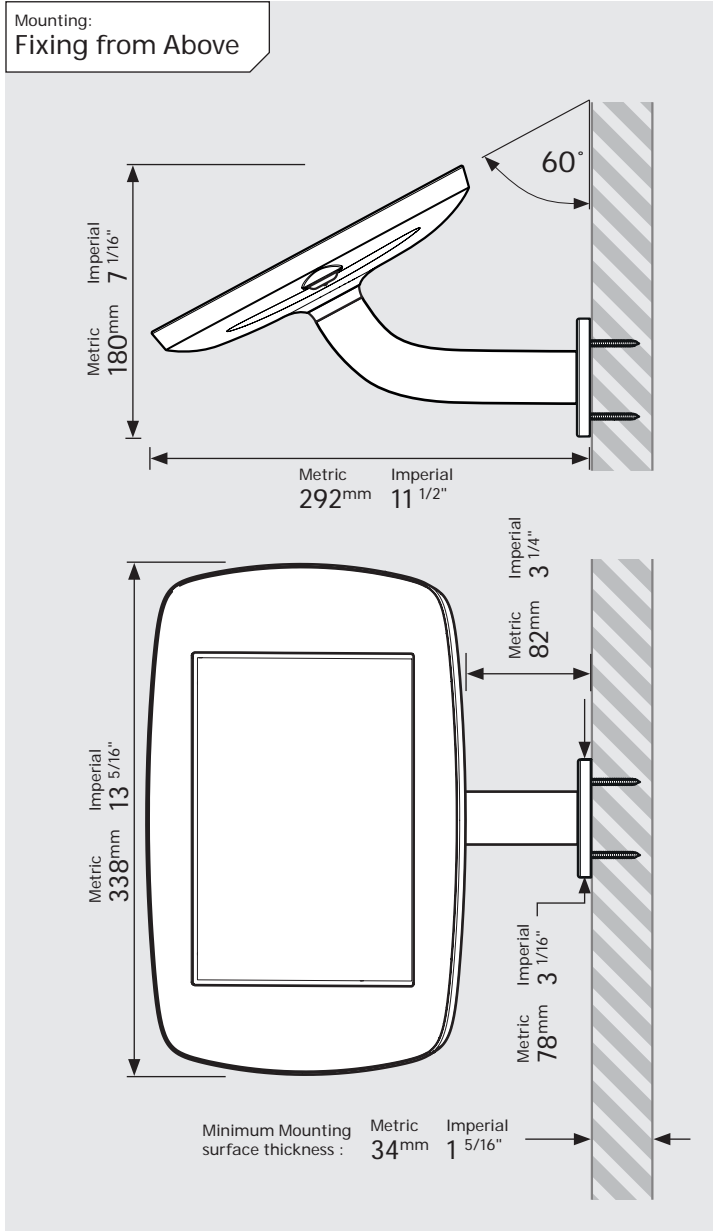
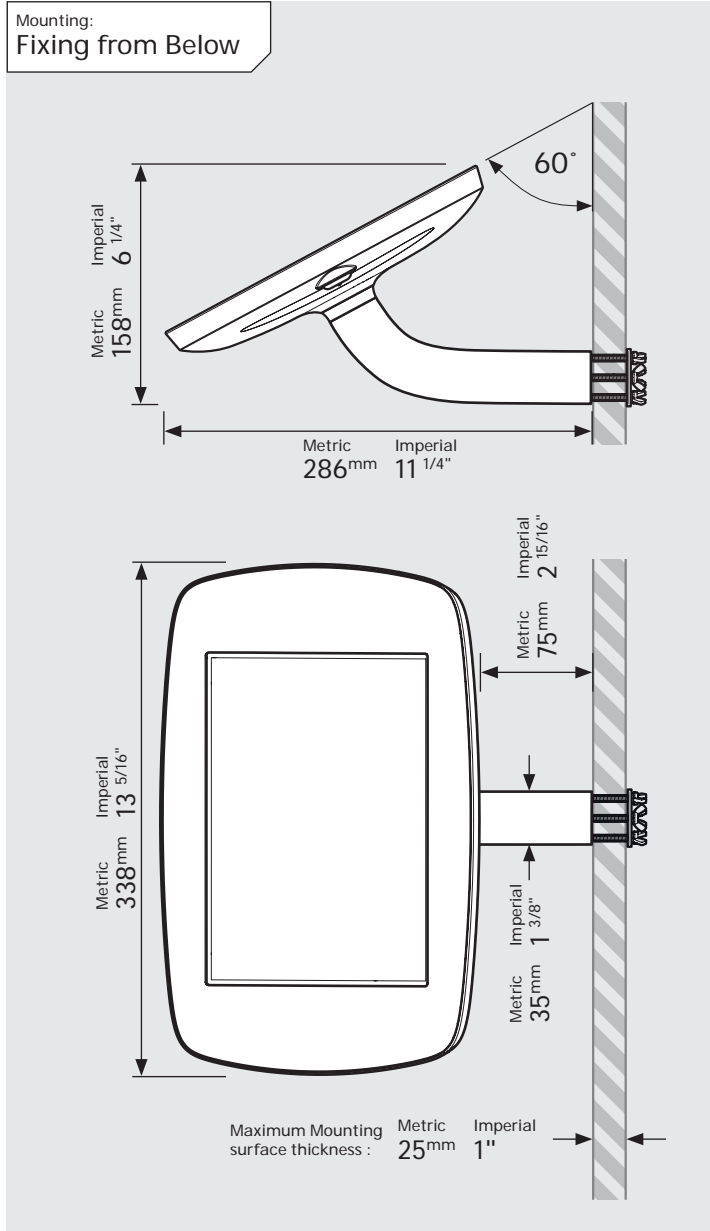
Case: Midi Arm: Branch Mounting: Fixing from Below
 Fixing from Above Packaged weight: 1.89kg Colour: White
 Black



PRODUCT DATA SHEET - BRANCH (MAXI CASE)

bouncepad[®]

Case:	Arm:	Mounting:	Packaged weight:	Colour:
Maxi	Branch	Fixing from Below	2.12kg	White Black
		Fixing from Above		



PRODUCT DATA SHEET - BRANCH (MEGA CASE)

bouncepad®

Case: Mega Arm: Branch Mounting: Fixing from Below
 Fixing from Above Packaged weight: 2.51kg Colour: White
 Black

