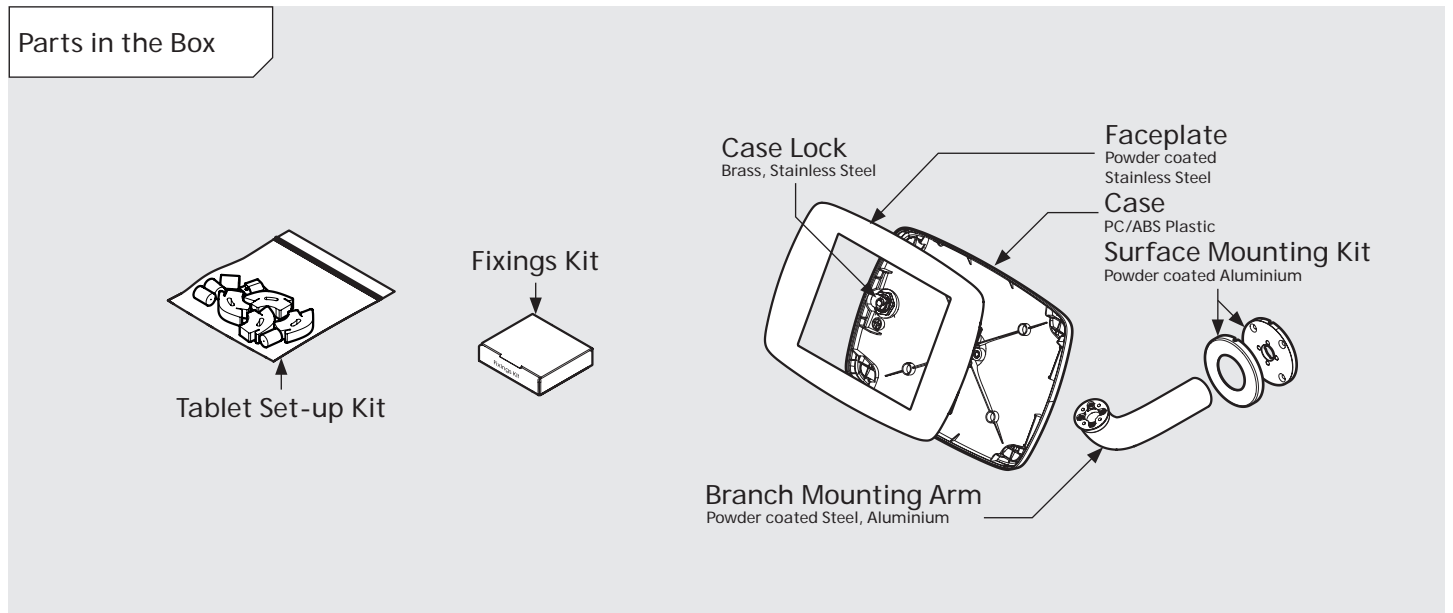
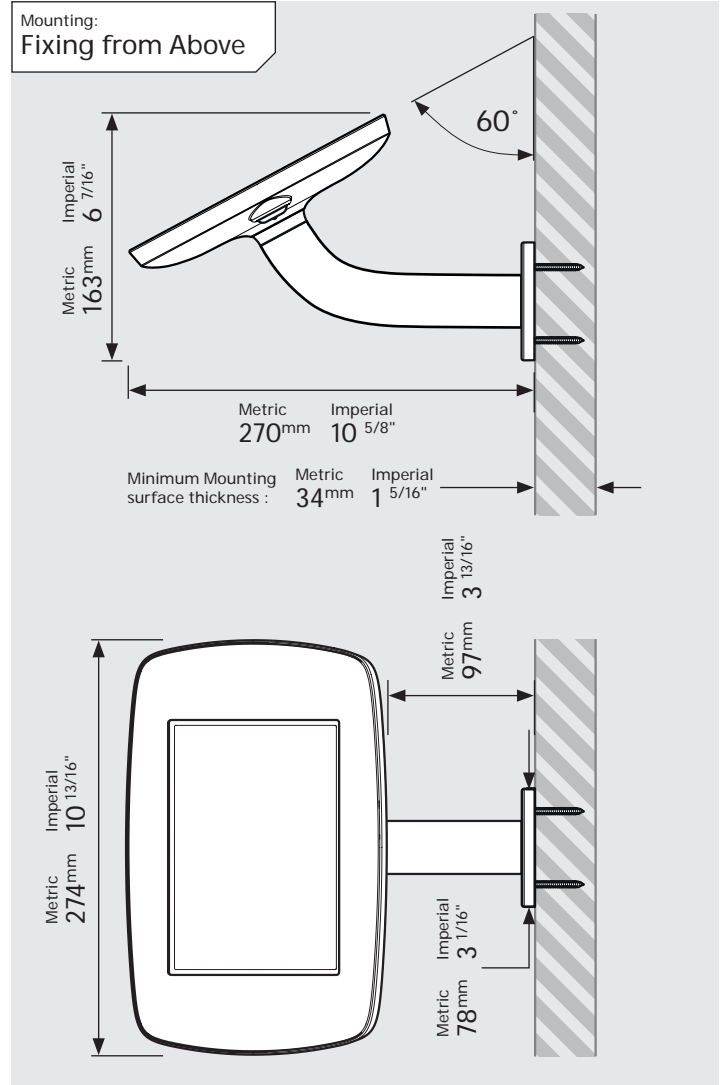
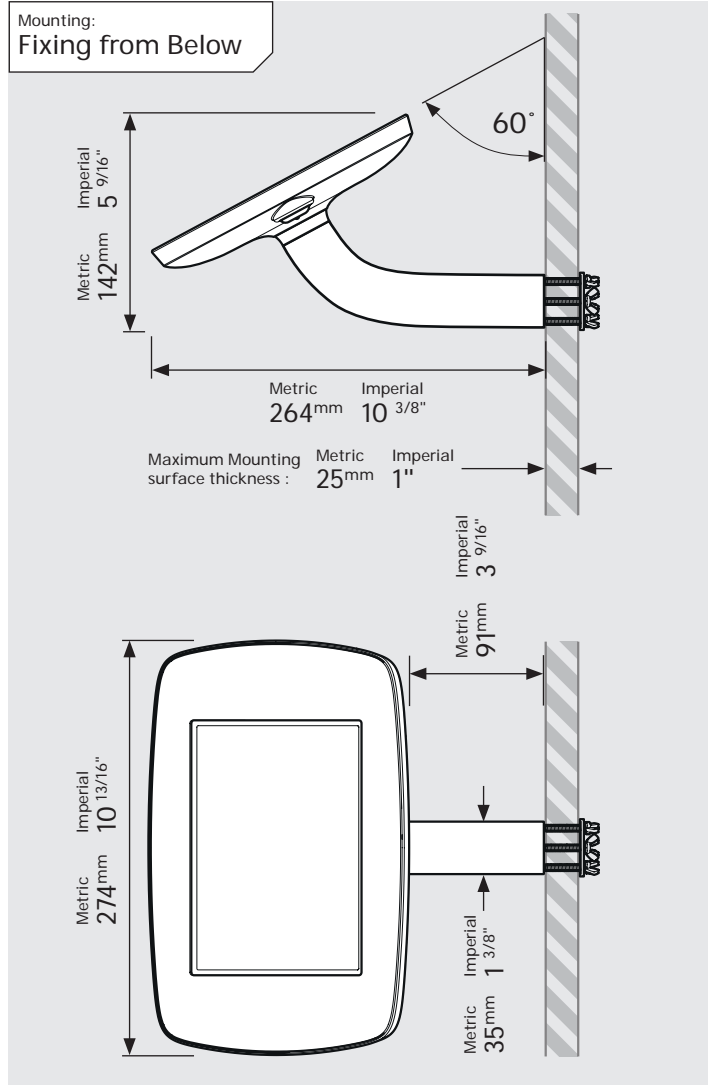


PRODUCT DATA SHEET - BRANCH (MINI CASE)

bouncepad®

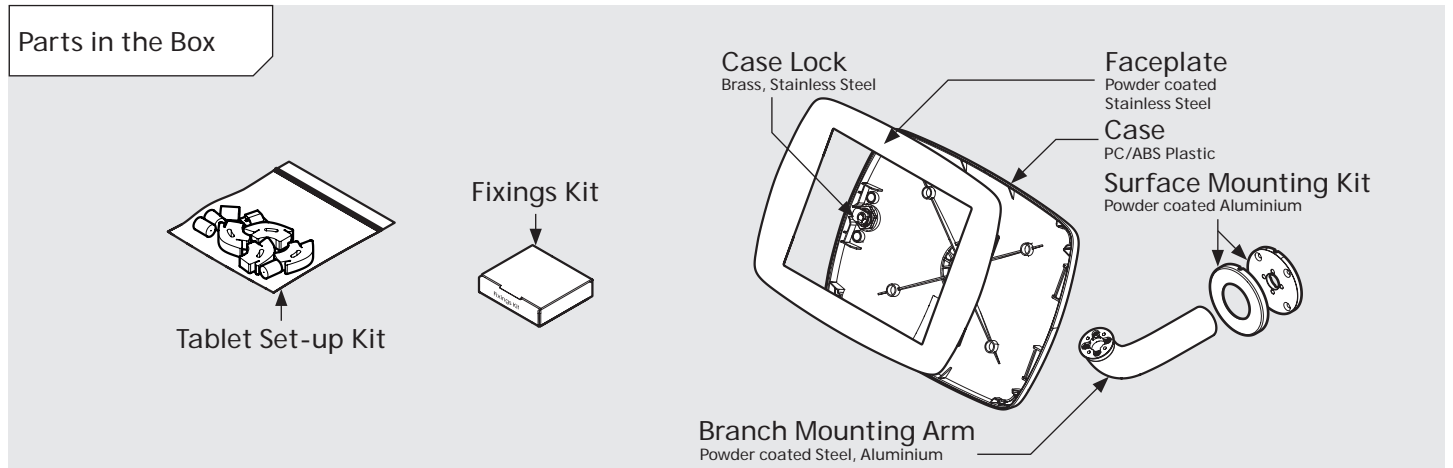
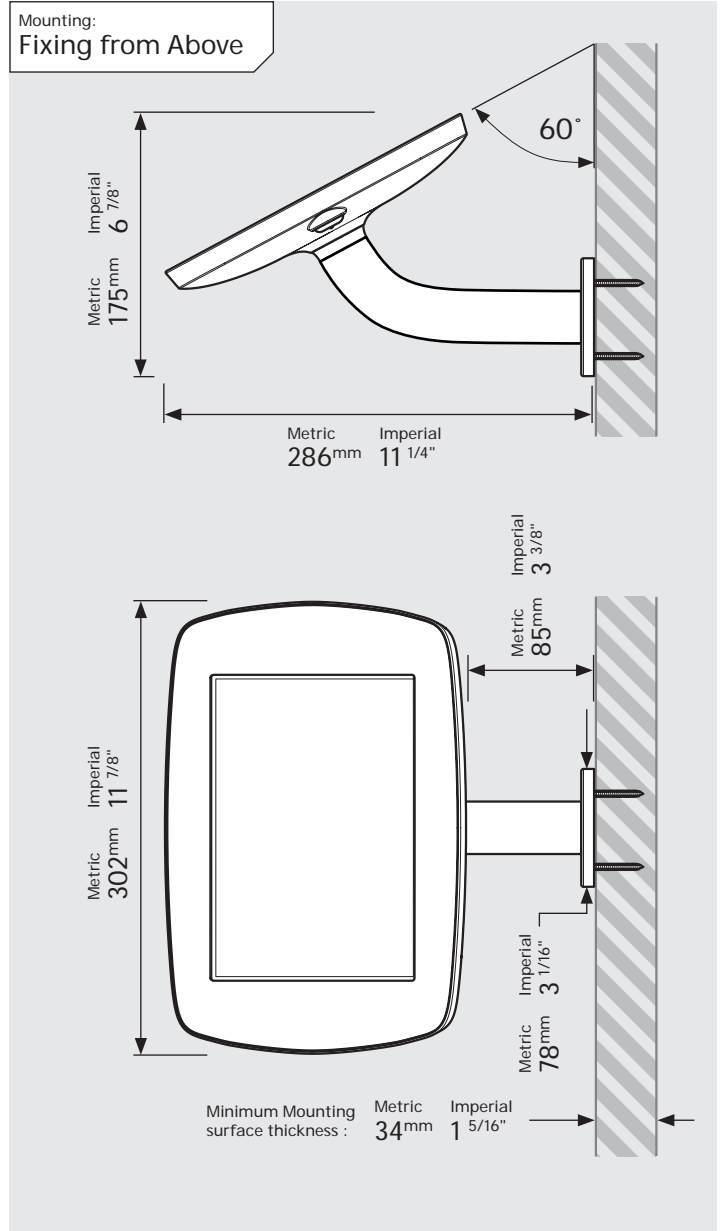
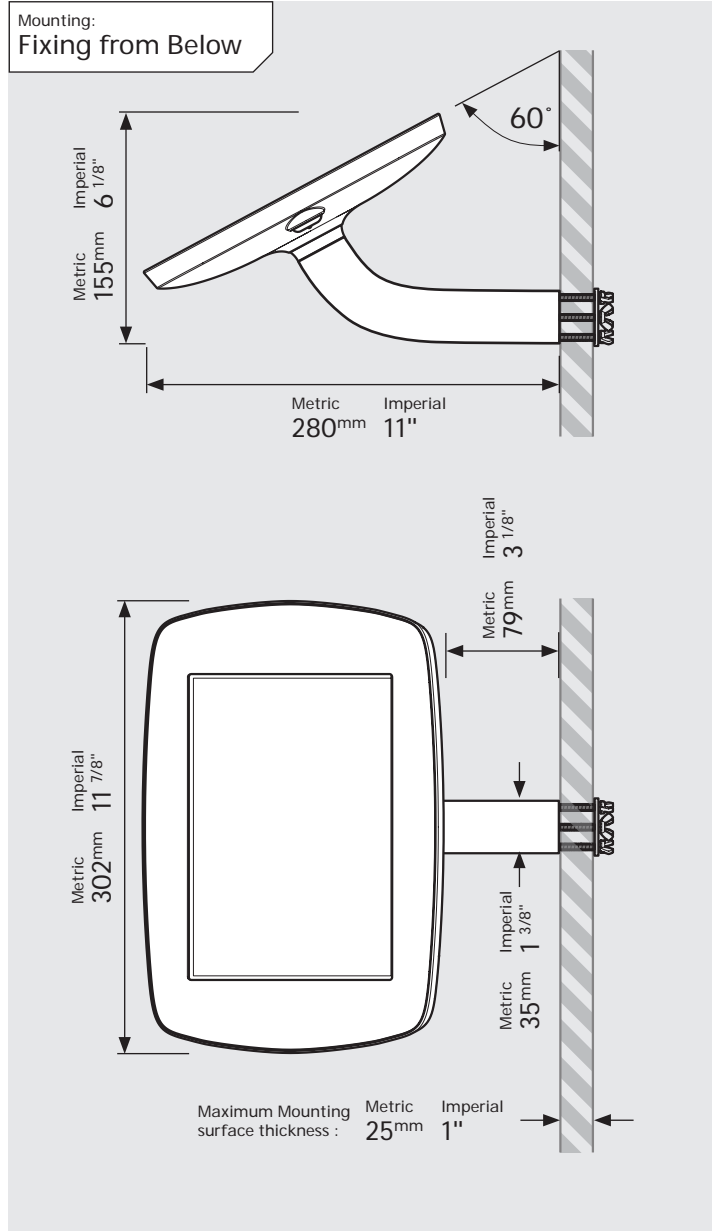
Case: Mini Arm: Branch Mounting: Fixing from Below
 Fixing from Above Packaged weight: 1.71kg Colour: White
 Black



PRODUCT DATA SHEET - BRANCH (MIDI CASE)

bouncepad®

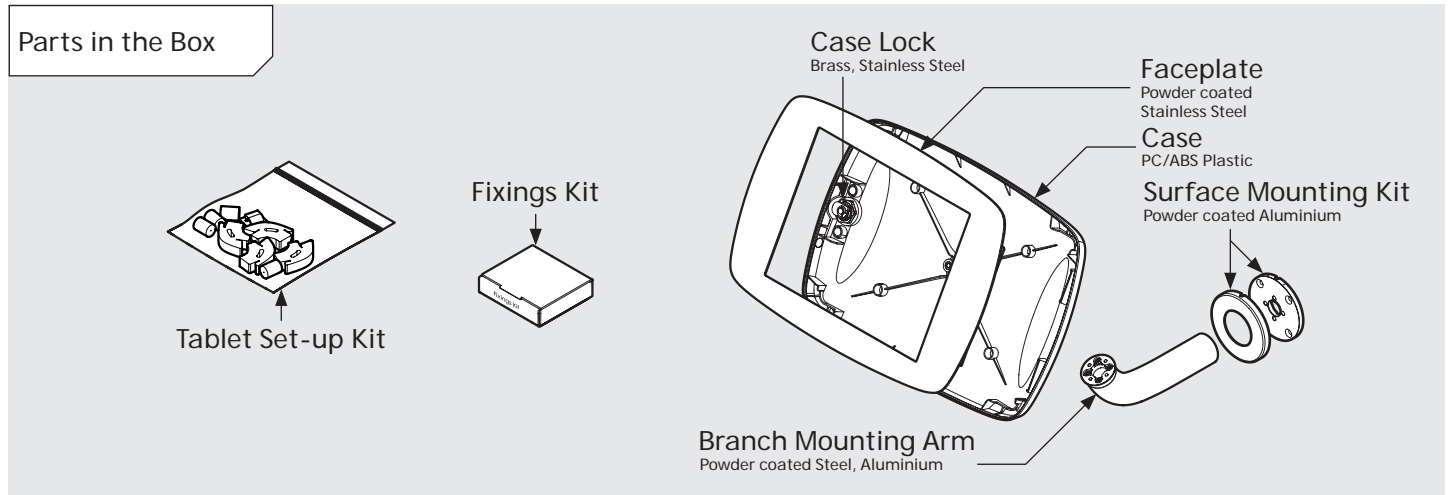
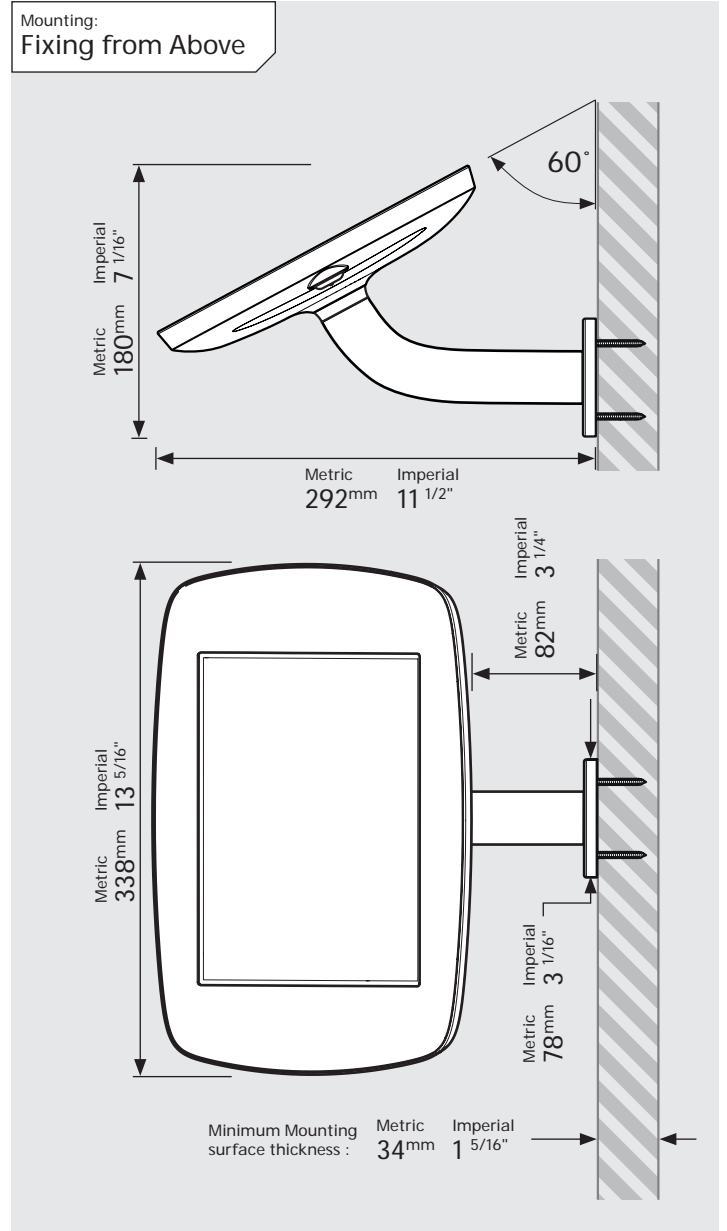
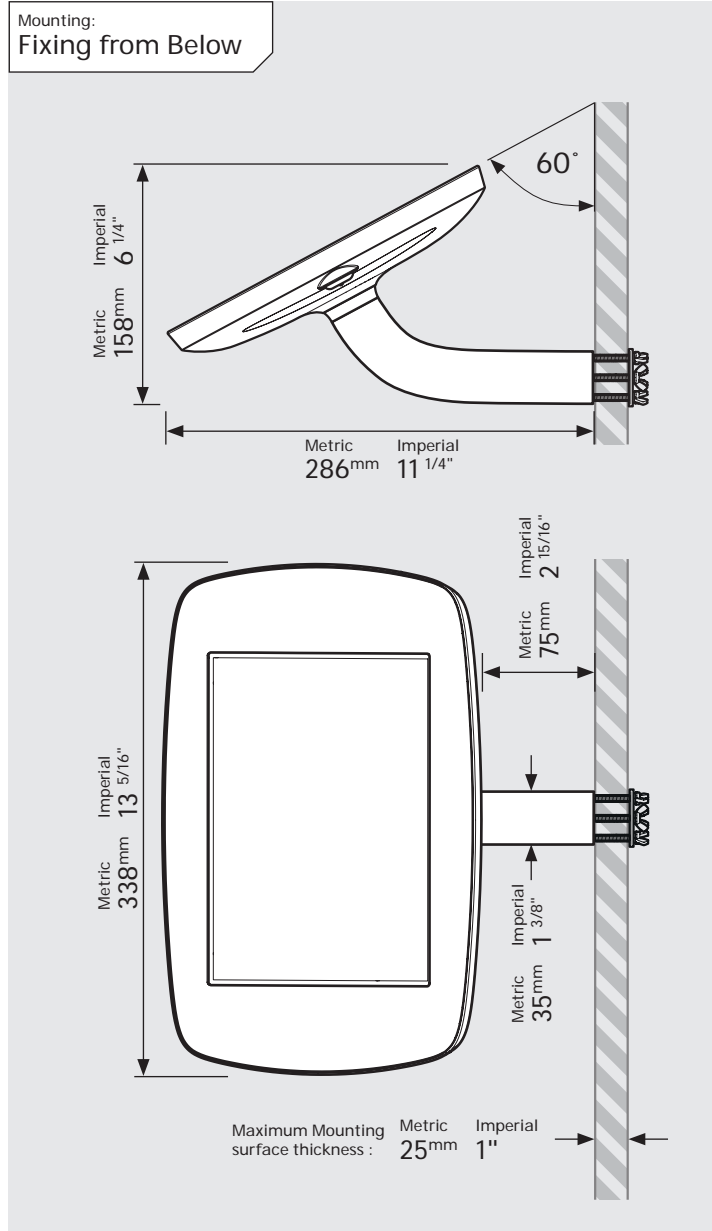
Case: Midi Arm: Branch Mounting: Fixing from Below
 Fixing from Above Packaged weight: 1.89kg Colour: White
 Black



PRODUCT DATA SHEET - BRANCH (MAXI CASE)

bouncepad®

Case: Maxi Arm: Branch Mounting: Fixing from Below
 Fixing from Above Packaged weight: 2.12kg Colour: White
 Black



PRODUCT DATA SHEET - BRANCH (MEGA CASE)

bouncepad®

Case: Mega Arm: Branch Mounting: Fixing from Below
 Fixing from Above Packaged weight: 2.51kg Colour: White
 Black

