

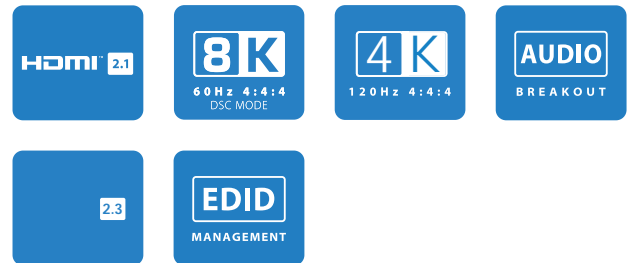
4-Way 8K HDMI Switch

Description

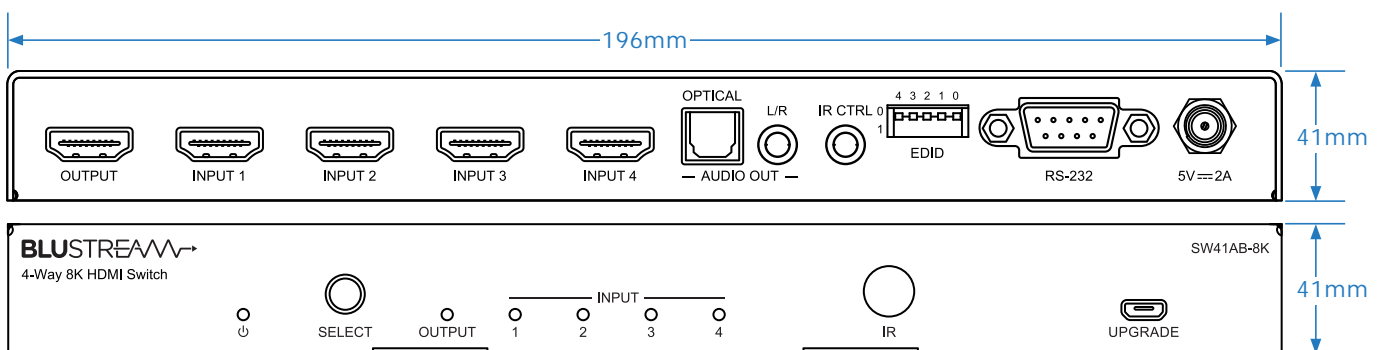
The SW41AB-8K HDMI2.1 switcher integrates multiple source devices where the features and functionality of the HDMI2.1 chipset are being utilised for 8K 60Hz, and 4K 120Hz signals.

With selection of 4 x HDMI input sources, the SW41AB-8K can auto-switch based on detecting a 5V hot plug, or a new TMDS signal, RS-232, or manually using IR, or the front panel.

Analogue and optical digital (S/PDIF) audio breakout allows for audio integration. The SW41AB-8K is HDCP2.3 compliant and has advanced EDID management of source devices connected.



Warning: Due to the bandwidth requirements of HDMI 2.1 8K video signals, it is strongly recommend to use Certified Ultra High Speed HDMI® Cables such as Blustream's Precision 48 HDMI 2.1 cable range (available in lengths from 1 to 30mtrs). Performance may be compromised with non certified cables.



Key Features

- Features 4x HDMI 2.1 inputs that can be switched to a single HDMI output
- Supports HDMI 2.1 40Gbps specification including HDR
- Supports up to 8K60 YCbCr 4:2:0 10bit, 8K30 RGB/YCbCr 4:4:4 10bit or 4K120 RGB/YCbCr 4:4:4 10bit
- Supports ALLM (Auto Low Latency Mode) & VRR (Variable Refresh Rate)
- Supports all known HDMI audio formats including Dolby Atmos, Dolby TrueHD, Dolby Digital Plus and DTS-HD Master Audio transmission
- Auto HDMI source switching via 5V and / or TMDS signal sensing
- Manual HDMI source switching via front panel, IR and RS-232
- Audio breakout to analogue L/R audio and optical (S/PDIF) digital outputs concurrently
- 5V / 12V IR Compatible
- HDCP 2.3 compliant with advanced EDID management

Blustream cannot be held responsible for errors in typography or photography. Specifications are subject to change without notice.



Connectivity

- **Video Input Connectors:** 4 x HDMI Type A, 19-pin, female
- **Video Output Connectors:** 1 x HDMI Type A, 19-pin, female
- **Audio Output Connectors:** 1 x Optical (S/PDIF) & 1 x Analogue audio L/R (3.5mm stereo jack)
- **IR Input Ports:** 1 x 3.5mm stereo jack
- **RS-232 Serial Port:** 1 x DB9, female

Specifications

- **Dimensions (WxDxH):** 196 x 104 x 41mm, including connections, without feet (removable)
- **Shipping Weight:** 0.9kg
- **Operating Temperature:** 32°F to 104°F (0°C to 40°C)
- **Storage Temperature:** -4°F to 140°F (-20°C to 60°C)
- **Power Supply:** 1 x 5V/2A DC

Included Accessories

Power	1 x 5V/2A DC Power Supply
Remote	1 x REMSW41 Remote Control
Receiver	1 x IR Receiver (IRR)
Mount	1 x Mounting Bracket Set

Regulatory Compliance



Blustream cannot be held responsible for errors in typography or photography. Specifications are subject to change without notice.