

P12 Max (White)

120 mm High-Speed PWM Fan



General Specifications

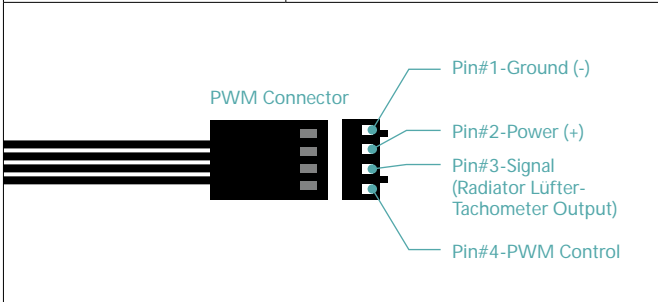
| | |
|-------------------------------|-------------------------------|
| Dimensions | 120 (L) x 120 (W) x 25 (H) mm |
| Net Weight | 184 g |
| Operating Ambient Temperature | 0-40 °C |
| Warranty | 6 Years |

Shipping Information

| | |
|----------------|--|
| Box Dimensions | 125 (L) x 127 (W) x 30 (H) mm |
| Gross Weight | 214 g |
| SKU | ACFAN00293A |
| EAN | 4895213704267 |
| UPC | 840033402040 |
| Box Content | P12 Max White x 1 Mounting Screws x 4 |

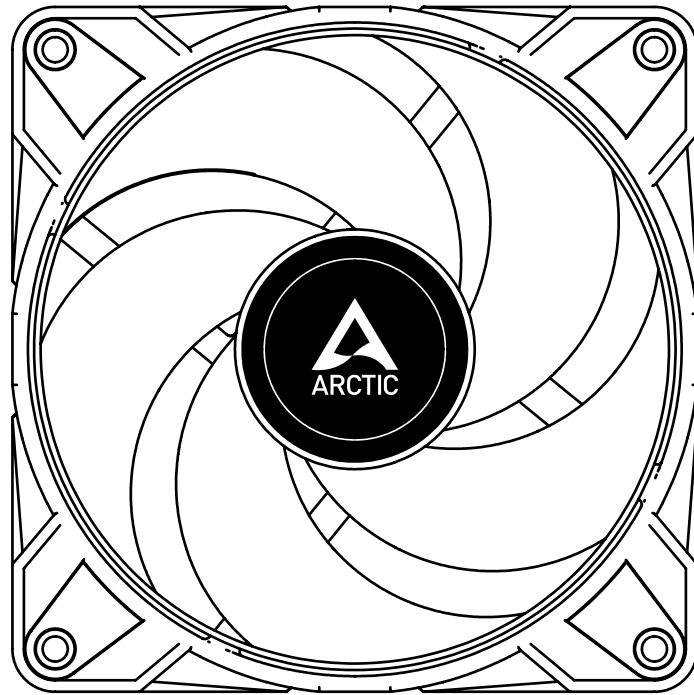
Fan Specifications

| | |
|------------------|--|
| Fan Speed | 200-3300 rpm (PWM controlled), 0 rpm below 5% PWM |
| Airflow | 81.04 cfm 137.69 m ³ /h |
| Static Pressure | 4.35 mmH ₂ O |
| Noise Level | 0.6 Sone |
| Fan Bearing | Fluid Dynamic Bearing |
| Typical Voltage | 12 V DC |
| Start Up Voltage | 3.9 V DC |
| Current | 0.29 A |
| Cable Length | 400 mm |
| Connector | 4-Pin PWM Connector |



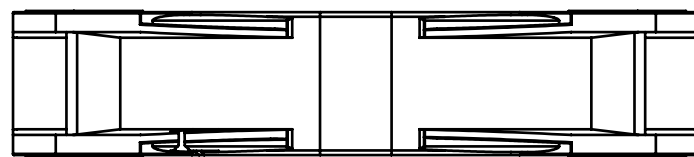
P12 Max (White)

120 mm High-Speed PWM Fan



120 mm

120 mm



25 mm



All materials are compatible with RoHS requirements.

MORE INFORMATION



MANUALS

