

# Mingle Bar (PA511D)

## User's Guide

### Table of Contents

Introduction.....	2
Mingle Bar (PA511D) .....	3
Key Features.....	3
System Requirements .....	4
Technical Specifications .....	5
Product Overview.....	6
Installation.....	7
Placement.....	8
LED Status Indicator.....	9
AI Framing Function with Gesture Control .....	9
Using Connect.....	10
Contact Us.....	12
About AVerMedia .....	12
Appendix – F.A.Q. ....	13

# Introduction

This document is your User's Guide for the Mingle Bar (PA511D). We have written this guide to provide you with the information you need to quickly and smoothly use the video bar.

After a quick introduction of the video bar and who this product is intended for, we will dive into its key features, system requirements, and technical specs and show you how to set up and install the device. Lastly, this guide will finish with a link to our technical support team and with some brief information on AVerMedia's background.

Thank you for taking the time to use and try out our latest video bar, we hope you enjoy using it as much as we enjoyed making it. If you have any questions or suggestions on our products or need any further editorial assistance, please don't hesitate to contact us.

## Mingle Bar (PA511D)

### Be seen, Be heard, Be Connected

Rather than worrying about setting up separate cameras, microphones, speakers, and other equipment, Mingle Bar (PA511D) is plug-and-play and combines all the necessary equipment into one convenient device.

The intelligent audio pickup with **AI noise reduction**, **beamforming**, and **far-field adaptive** technologies reproduces resonant voice from anywhere in the room. Mingle Bar provides real-time, highly sensitive **HDR**, **3DNR**, and **AWB** technologies with great image optimization **in any lighting environment**, so you'll always look sharp and professional. The **124° FoV** and **4K UHD** quality cover all people and whiteboard to communicate and collaborate effectively. Find and frame everyone with the **AI auto-framing function** with **AI Gesture recognition**.

## Key Features

- **4K image quality with ultra-wide FOV**

Ultra-wide 124° diagonal field of view to capture more of the room or include additional participants. Supports multiple resolutions, including 4K (Ultra HD) 1080p (Full HD), and 720p (HD) to best support the quality offered by your application and monitor.

- **Look professional in any light**

Provides real-time highly sensitive 3DNR, HDR, and AWB technologies with great image optimization in any lighting environment so that you will always look sharp and professional.

- **AI-powered auto framing**

Find and frame everyone in the room with the AI auto-framing function with AI

Gesture recognition.

- **Intelligent audio pickup**

The intelligent audio pickup with AI noise reduction, beamforming, and far-field adaptive technologies picks up and reproduces resonant voices from anywhere in the room.

- **Rich I/O with one-cable connection**

One cable connection to get all you need (display, webcam, speakerphone, wired network) to start a meeting easily.

- **Multiple mounting options**

Freedom to mount wherever it works best—tabletop, wall, tripod, or monitor—for the best possible huddle room experience.

- **Works with most video conferencing applications**

Compatible with virtually any video conferencing software app.

- **Kensington security slot**

Built-in Kensington security slots to help secure the device.

## System Requirements

### Mingle Bar

- Operating System:  
Windows 10 or later;  
macOS 10.14 or later;  
Chrome OS 85.0.4183.131 or later
- Software Compatible: Facebook, YouTube, Facebook Messenger, FaceTime, Line, GoToWebinar, Cisco Webex, Microsoft Teams, ZOOM, OBS, StreamLab OBS, Skype, Skype for Business, Slack, Google Meet, Lifesize, Amazon Chime, Whereby (Appear.in)

### Hardware System Requirement

- CPU: 3.2 GHz Intel® Core™ i5-4460 processor or better
- RAM: 4 GB or more
- USB: USB 3.1 Gen 1 compatible with USB 2.0 (lower resolution)

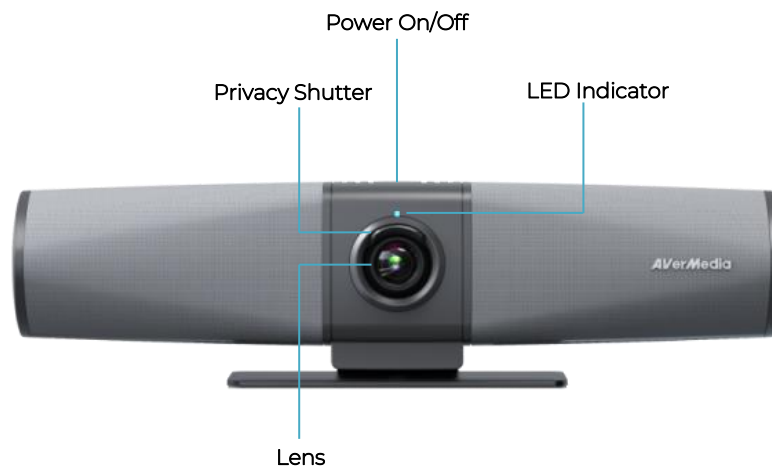
## Technical Specifications

Camera	
Maximum Resolution/Frame Rate	3840x2160/30fps
Field of View	124° (D), 115°(H), 79°(V)
Format	MJPEG, YUY2, and NV12 of UVC 1.0
Zoom	4x Digital Zoom
Image Processing	Auto Framing, Gesture Recognition, 3D Noise Reduction, High Dynamic Range, Auto Lighting Correction, Auto Face Exposure
Privacy Shutter	Yes
Audio	
Microphone	Dual Omnidirectional Stereo Microphones
Microphone Pickup Distance	4 m/13.12 ft.
Speaker	5W with Bass Enhancement
Audio Processing	AI Noise Reduction, Acoustic Echo Cancellation, Beamforming, Far-Field Adaptive, Full Duplex
Others	
Interfaces	1 x HDMI (4K) 1 x USB-A (3.2 Gen 1) 1 x USB-C (3.2 Gen 1) 1 x RJ45 1 x Aux port for recommended expansion microphone (optional) 1x LED Indicator 2 x K-Slot Power Connector
Software Add-on Value	Image Adjustment Firmware Update Issue Report
Dimensions (W x D x H)	295 x 70.4 x 78.7 mm / 11.6 x 2.8 x 3.1 in.
Weight	555 g/19.6 oz.
What's in the Box	PA511D Quick Start Guide USB-C Cable or USB-C to USB-A Cable (Selectable) Power Adapter (12V/1.5A)

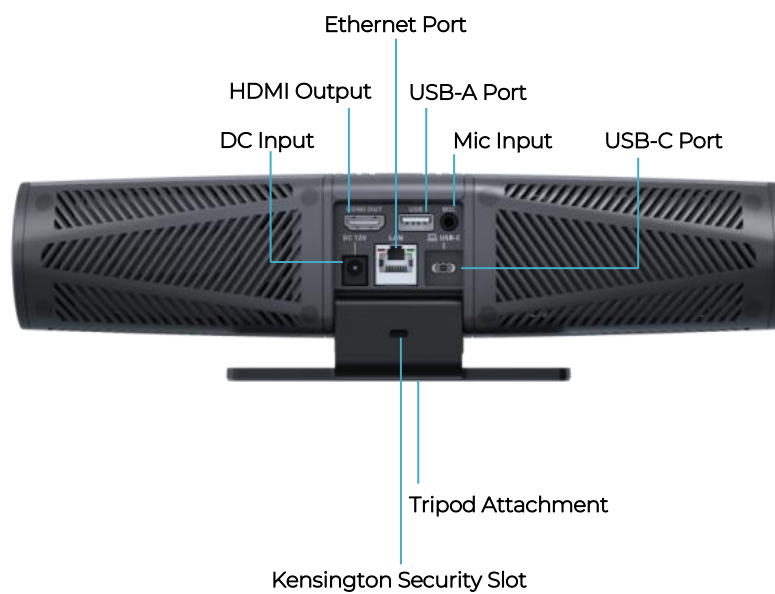
\*Specifications are subject to change without prior notice.

# Product Overview

## Front View

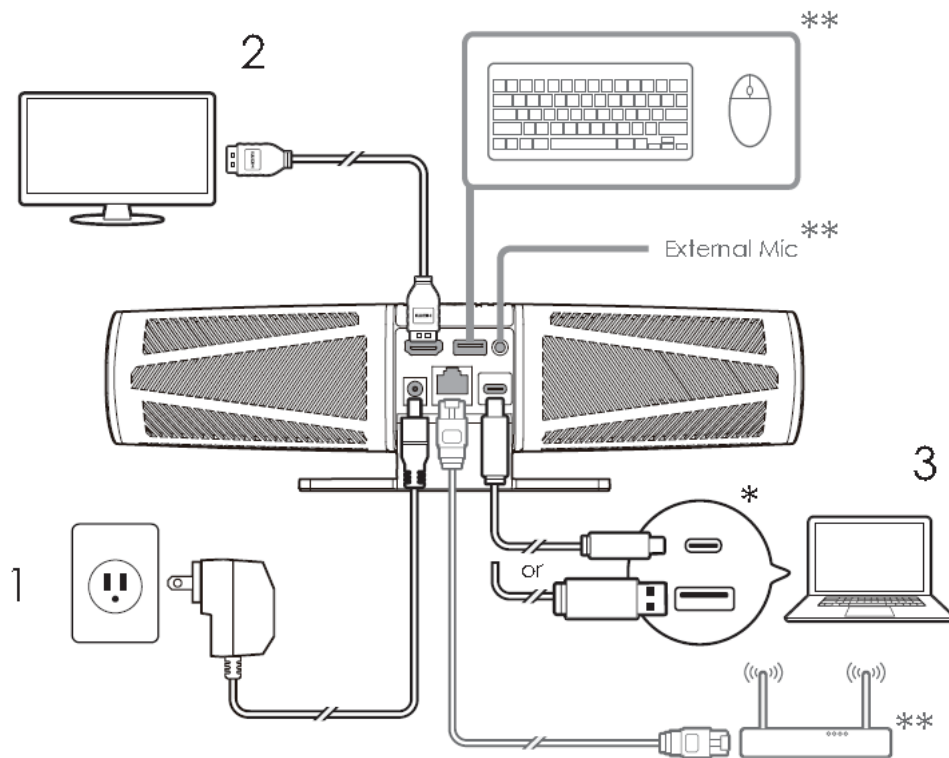


## Rear View



# Installation

1. Plug Mingle Bar into a power outlet.
2. Connect a monitor/TV to Mingle Bar via an HDMI cable.
3. Connect Mingle Bar's USB-C port to your laptop using the included USB cable.

**Note:**

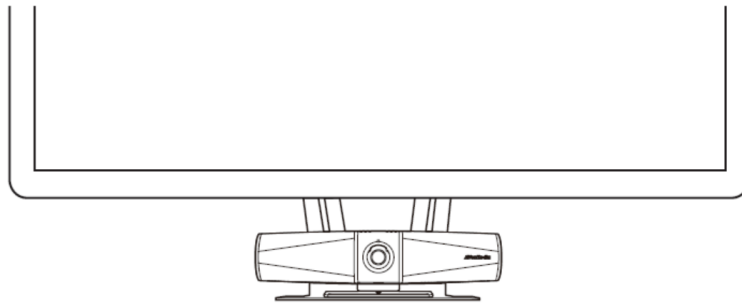
\*Ensure the computer's USB port supports DisplayPort Alt Mode for HDMI to function properly on Mingle Bar.

\*\*Optional: Mingle Bar is also capable of hosting other devices such as keyboards, external microphones, routers, etc. when needed.

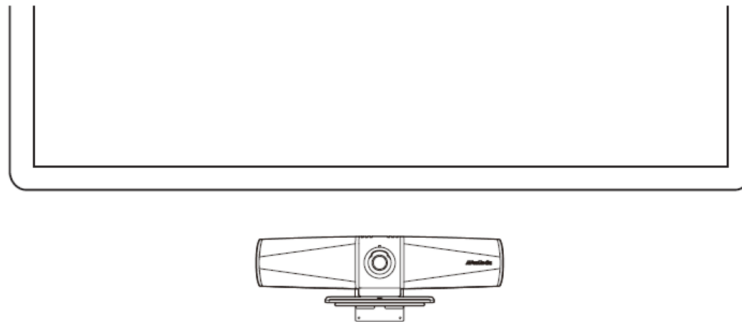
## Placement

It is recommended to place Mingle Bar below or near the monitor/TV as close to eye level as possible. The accessories for the mounting options below are sold separately and require additional installations.

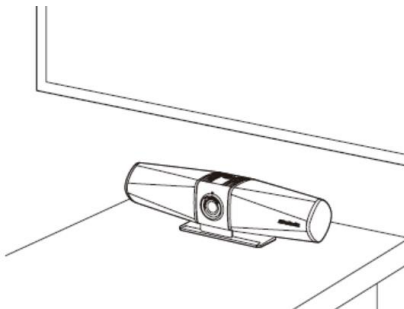
### Mount to the TV



### Mount on the Wall

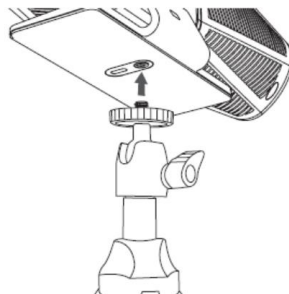


### Table / Shelf



### Tripod

(Tripod not included)



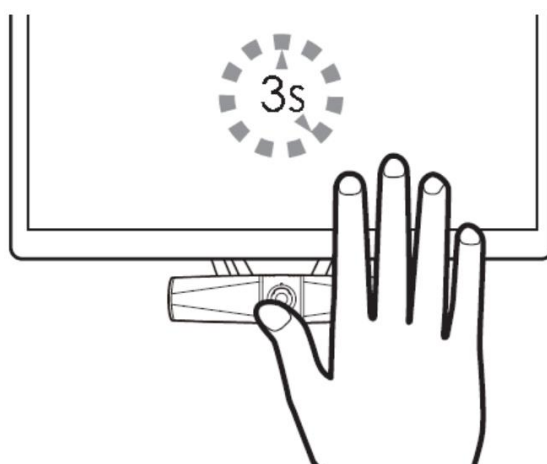


## LED Status Indicator

Flashing White	Booting/firmware updating
Solid White	Ready
Solid Yellow	Playing audio
Solid Green	In use: video calling/video previewing
Flashing Green	Incoming calls
Flashing Blue Twice	Turning on AI Framing
Flashing Purple Twice	Turning off AI Framing
Solid Red	Microphone muted (3rd party app)

## AI Framing Function with Gesture Control

This feature enables the webcam to automatically adjust and recenter the image when additional people enter its field of view. It can be turned on or off using a hand gesture—just hold up your hand within one meter in front of the camera for three seconds until the power indicator flashes (blue: on, purple: off) twice.

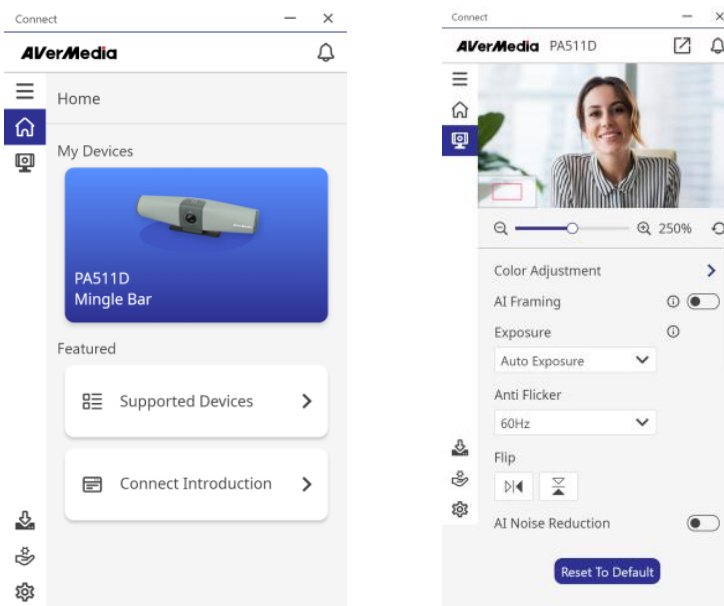




# Using Connect

Connect is a simple and intuitive software that allows you to manage devices easily. It provides image preview, image adjustment, digital zoom, image mirror/flip, AI adjustment, and firmware updates to enhance your video calls.

Download Connect at <https://www.avermedia.com/product-detail/Connect>

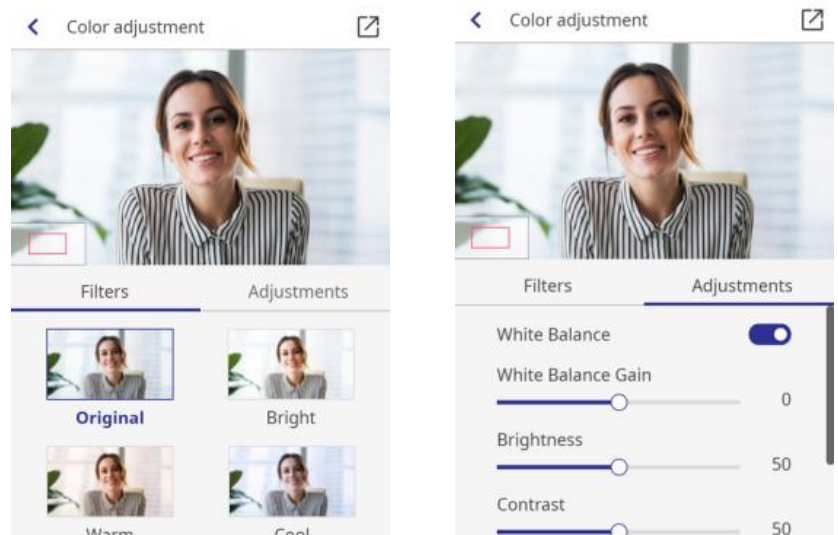


## Simple Video Adjustment

Adjust your device's color, exposure, zoom, and field of view to look your best in meetings.

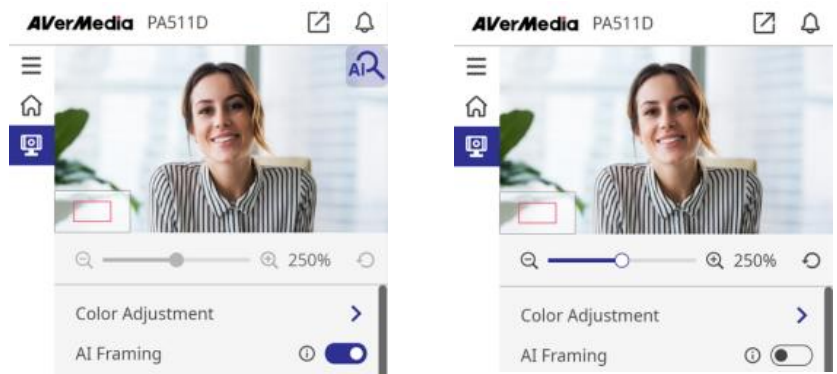
## Change the Color Settings

Add a color filter preset to suit your needs. Or manually turn on/off or adjust the exposure settings.



## Digital Zoom and AI Framing Controls

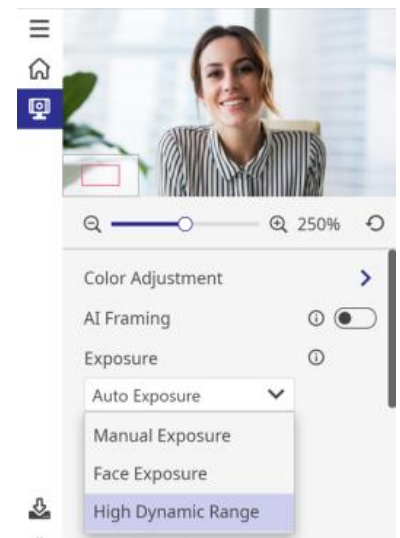
You can either turn AI Framing on and let it get the best shots for you or use the digital zoom function (up to 400%) to frame manually.



## Look Great in Various Lighting Conditions

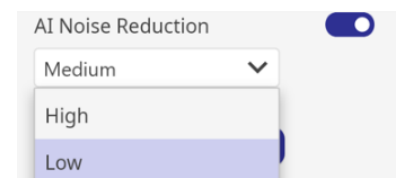
Connect provides exposure methods to make you look natural in different lighting conditions.

- **Auto Exposure:** Automatically adjust the exposure value of the video according to the ambient light.
- **Manual Exposure:** Manually adjust the video exposure and gain.
- **Face Exposure:** Enhanced exposure for faces, suitable for dark indoor environments.
- **High Dynamic Range (HDR):** Automatically enhance the contrast according to the ambient light to obtain the best video quality. Suitable for environments with high contrast.



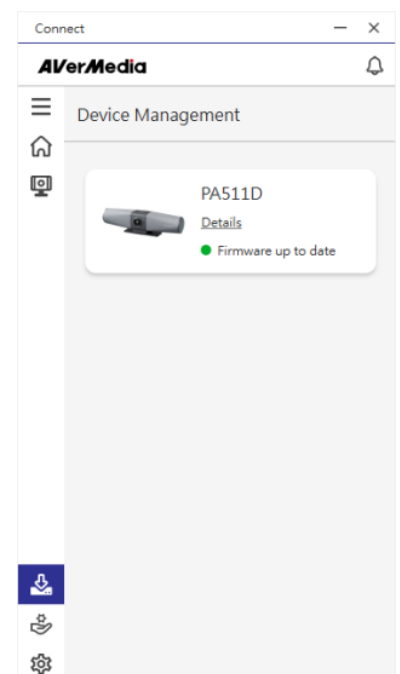
## Deliver Uninterrupted Voice

You can choose to turn on the “AI Noise Reduction” function to suppress distracting background noise if needed. There are three levels to choose from.



## Stay Up to Date

Connect delivers notifications to let you know when an update is available and ready for installation. It also provides information on connection status and warnings.



## Contact Us

Please contact us [here](#) should you have any questions or suggestions.

## About AVerMedia

AVerMedia empowers people to easily connect and boldly create through innovative audiovisual technology. Our solutions help people work productively, build new relationships, and expand their horizons in ways that weren't possible before. Our products include a wide range of powerful yet easy-to-use devices such as webcams, video capture cards, and microphones for content creators, schools, and businesses. We also provide hardware design services for a range of AI and IoT applications, from smart retail to smart cities.

AVerMedia is guided by a philosophy of contributing to society- whether through products that change customers' lives for the better or by ensuring our operations are socially responsible.

Connect with AVerMedia:

Website: <https://www.avermedia.com/>

LinkedIn: <https://www.linkedin.com/company/avermedia-technologies>

## Appendix – F.A.Q.

### 1. How to enable auto framing (AI Framing, ePTZ)?

#### Method 1. By hand gesture:

You may turn on Auto Framing by hand gesture. Just hold your right or left hand with your palm facing the Video Bar for three seconds until the power indicator flashes twice.

The following are sample hand gestures. The correct one is an open hand palm, like showing number five:

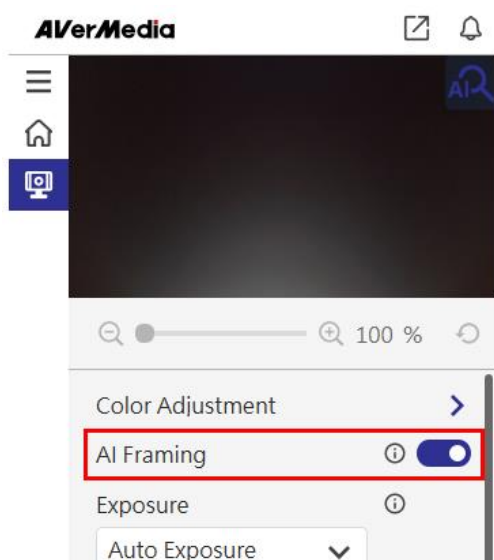


Please show a complete hand palm, without being hidden by shirts.



#### Method 2. By Connect software:

To enable Auto Framing, another way is to use AVerMedia Connect software, by tweaking the toggle as marked below :



**2. Is my computer's USB Type-C port able to output videos to Mingle Bar (PA511D)?**

Make sure the USB Type-C port in use supports DisplayPort Alt Mode or Thunderbolt 3 or 4 projection, for videos to be exported through PA511D and to display on a monitor or a TV.

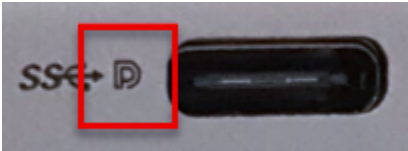
**How to identify if a USB Type-C port supports DisplayPort Alt Mode or Thunderbolt 3 / 4 projection?**

Check if there is one of the following symbols next to the USB Type-C port:

- A lightning bolt symbol indicating Thunderbolt 3 or 4



- A D-shaped icon indicating DP Alt Mode

**3. Why do I need AVerMedia PA511D's AI noise reduction, considering some video conferencing applications should be capable of it as well?**

Compared to using Microsoft Teams or Zoom with CPU loading consumed, the AI noise reduction by AVerMedia PA511D helps on reducing noise, whereas it does not consume any extra CPU loading. The AI noise reduction filters non-human background noise coming from coffee machines, keyboard typing, cooling fans, etc.